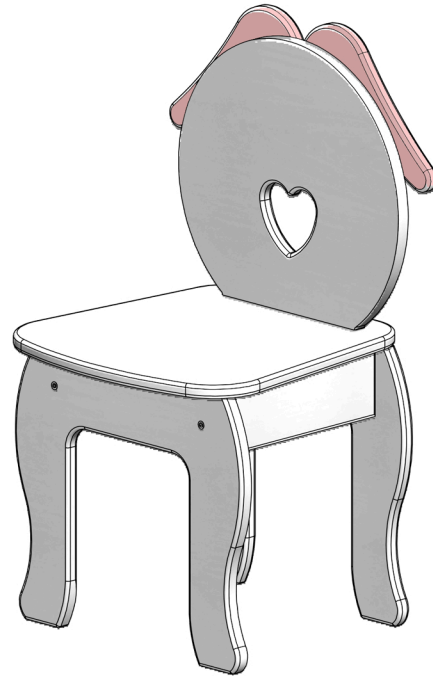
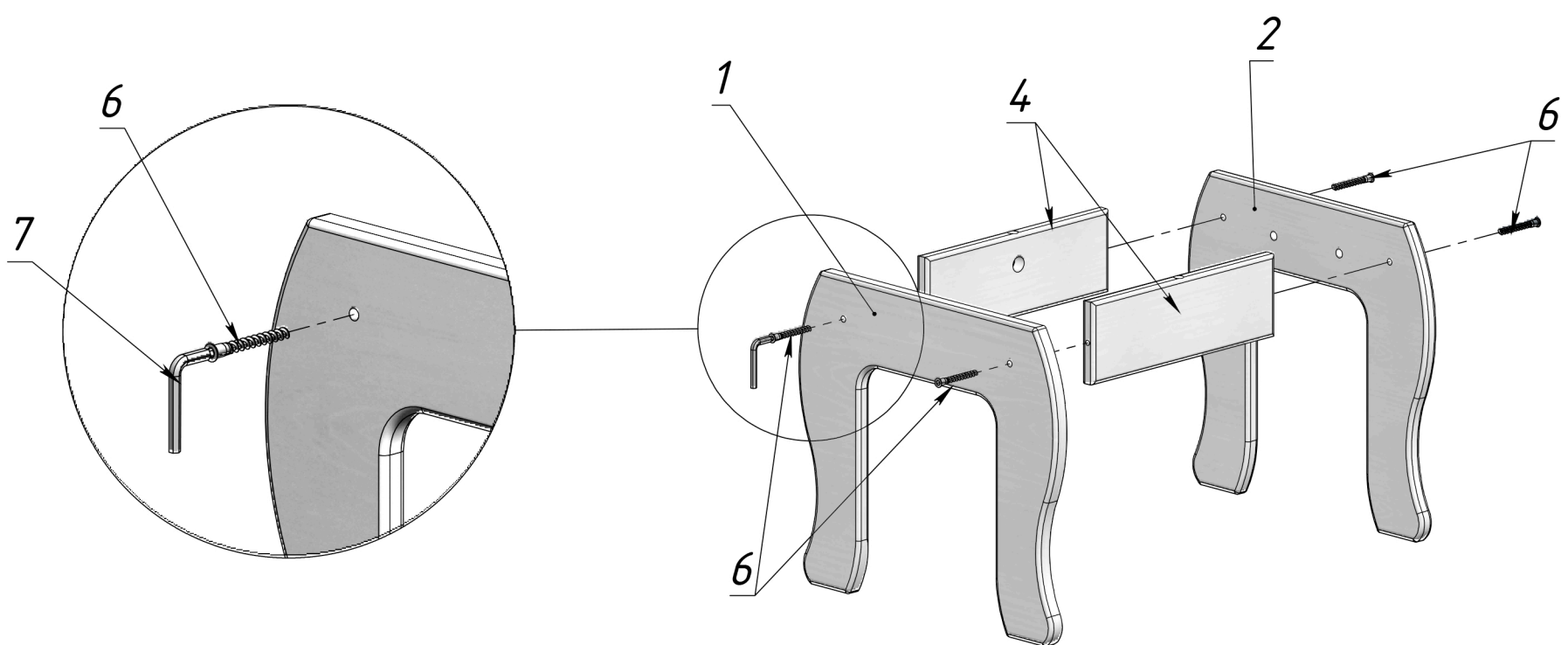


Chair "Angel"



ASSEMBLY DETAILS

1 - Front legs 1 pc.	2 - Back legs 1 pc.	3 - Seat 1 pc.	4 - Lower plank 2 pcs.	5 - Backrest 1 pc.	6 - 5x40 confirmat screws 4 pc.
7 - 3 mm hex key 1 pc.	8 - Set of minifixes 2 pcs.	9 - Screwdriver 1 pc.	10 - Erikson nut 2 pcs.	11 - Screw M6x16 2 pcs.	12 - 4mm hex key 2 pcs.

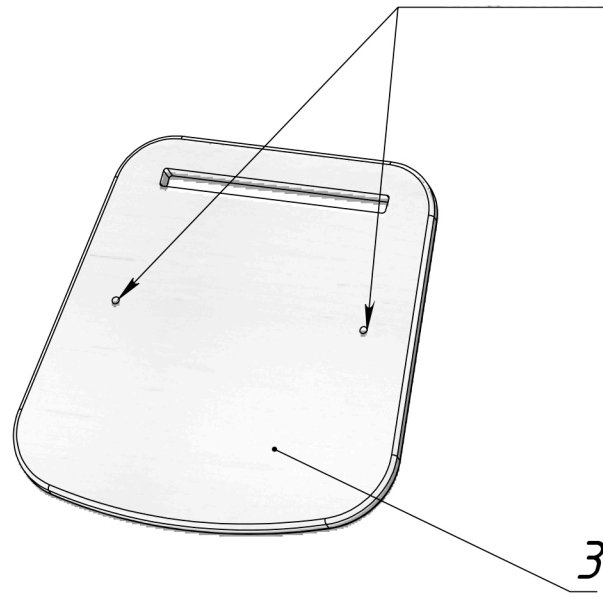


Pic. 1

Take the Front and Back legs (1,2) and using the Confirmat screws (6) and 3 mm hex key (7), connect the Lower planks (4) to them. See Pic. 1

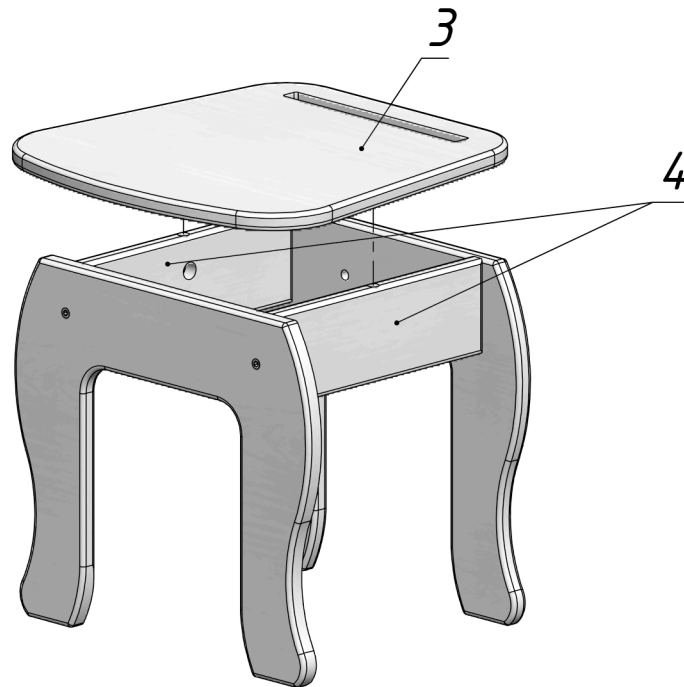


Screw the dowels from Minifixes (8) here



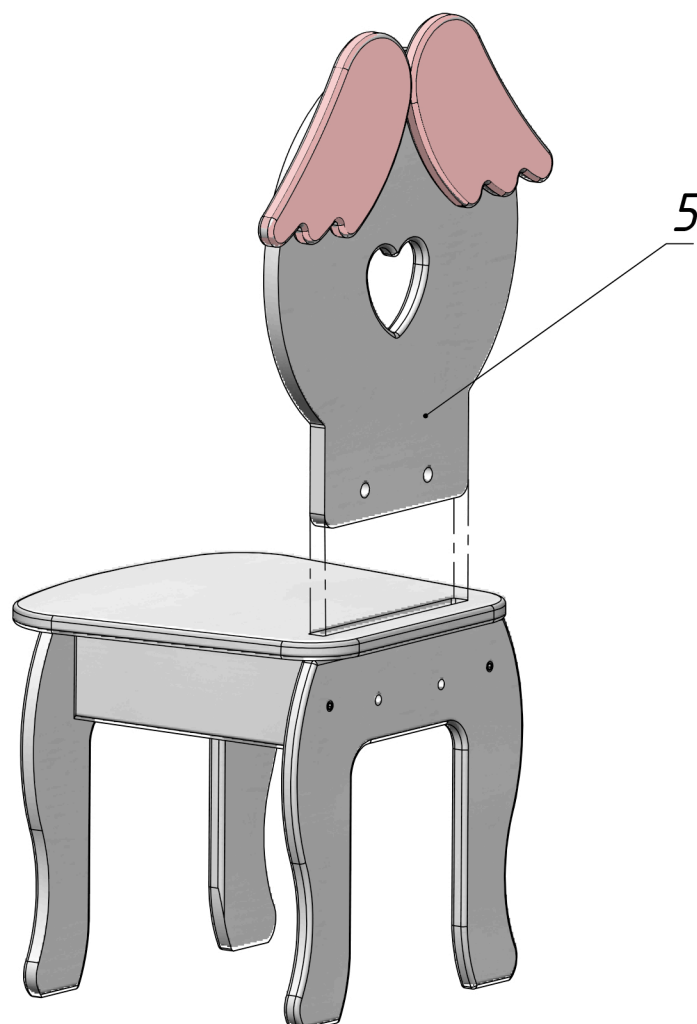
Pic. 2

Take the Seat (3) and using the Screwdriver (9), screw the dowels from Minifixes (8) in. See Pic. 2.



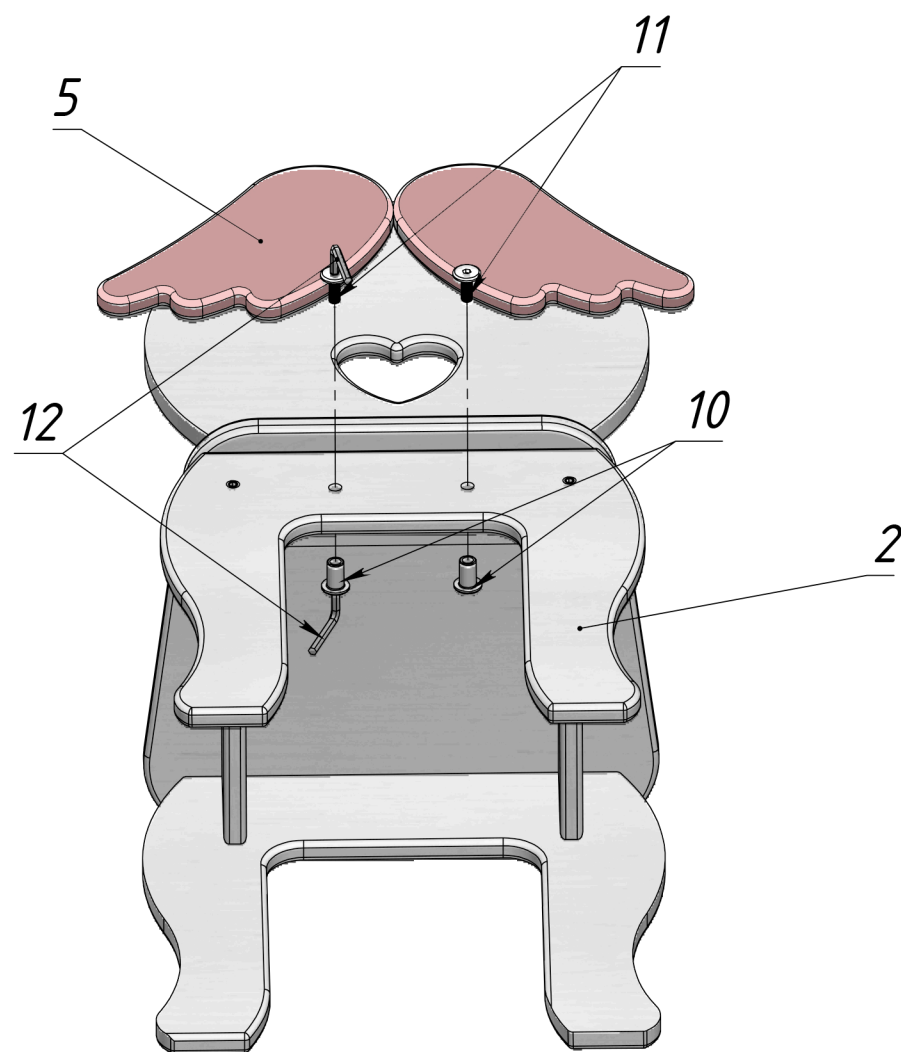
Pic. 3

Install the Seat (3) onto previously assembled construction and using the Screwdriver (9), close the eccentrics located on Lower planks (4) clockwise. See Pic. 3.



Pic. 4

Install the Backrest (5) into the grooves in the Seat (3) and push it down. See Pic. 4



Pic. 5

Take the Erikson nut (10) and connect the Back legs part (2) and Backrest (5) using the Screws (11) and 4 mm hex keys (12). See Pic. 5.

To be used under the direct supervision of an adult only. Always be vigilant during children's games.