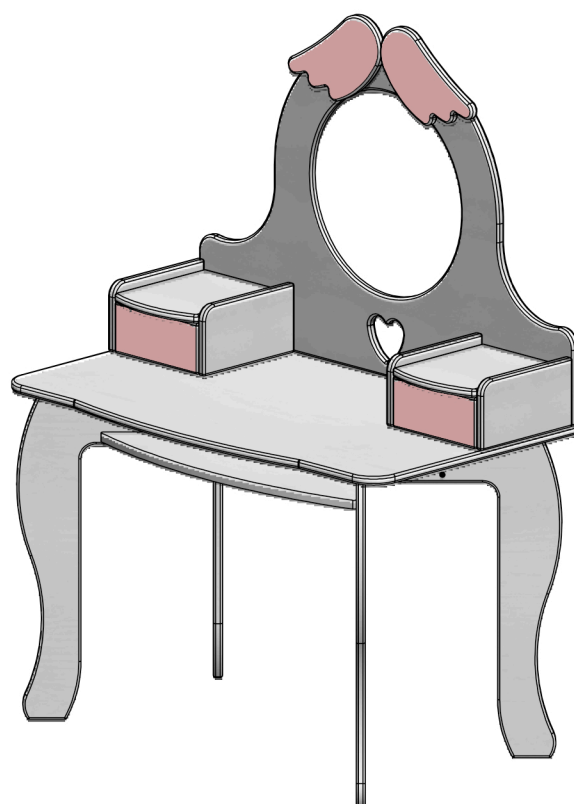
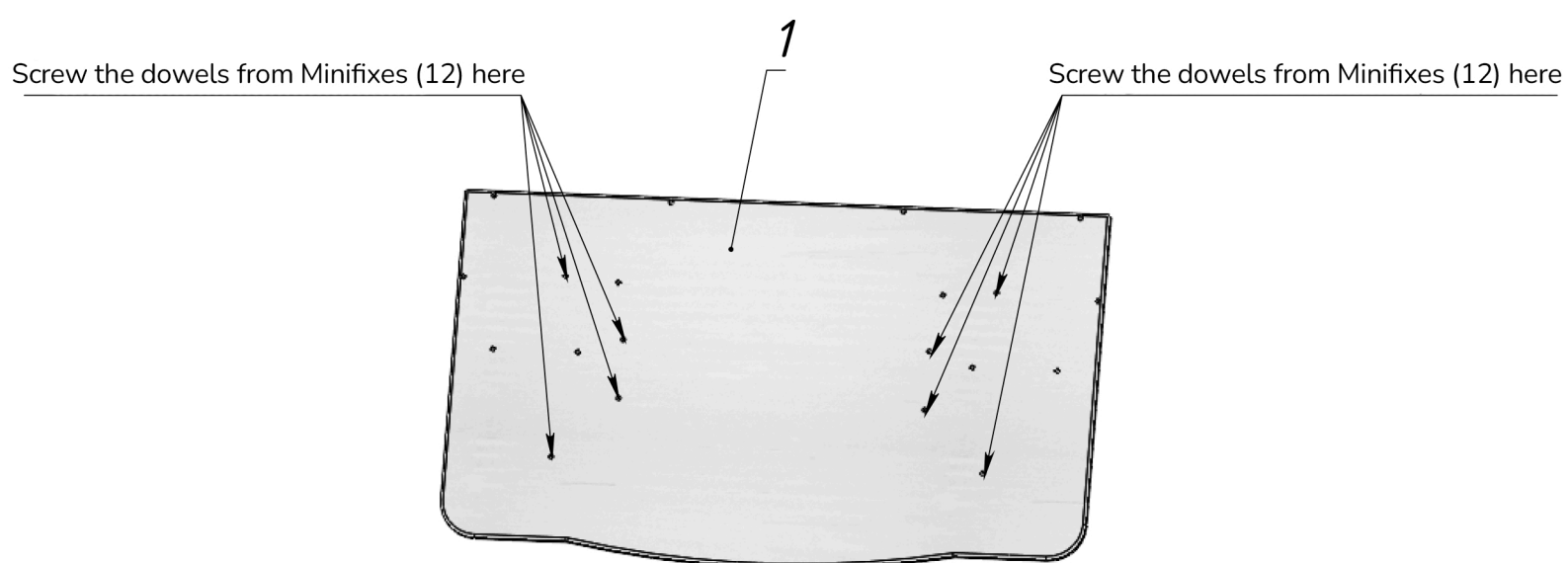


# Vanity desk "Angel"



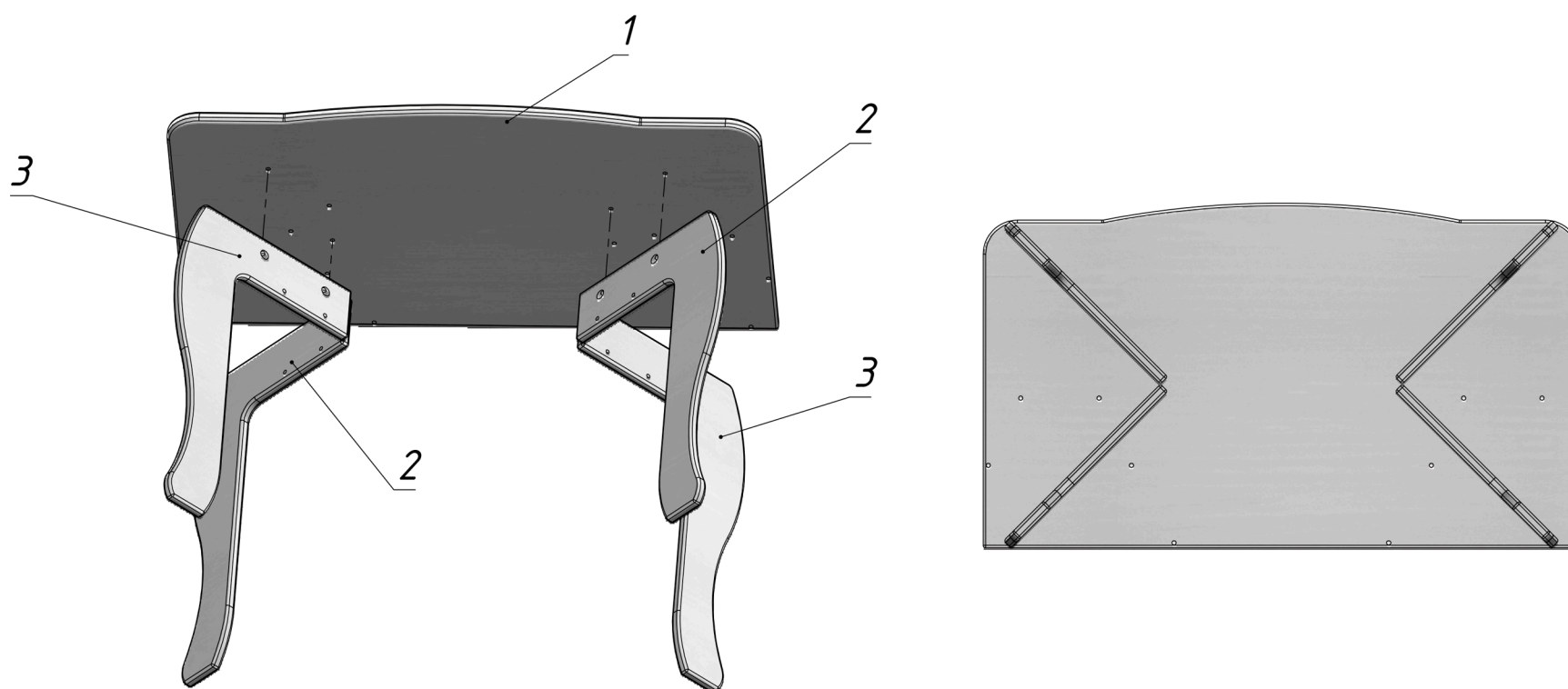
## ASSEMBLY DETAILS

1 - Tabletop  1 pc.	2 - Stand #1  2 pcs.	3 - Stand #2  2 pcs.	4 - Shelf  2 pcs.	5 - Mirror holder  1 pc.	6 - Right wing  1 pc.
7 - Left wing  1 pc.	8 - Right sidewall of the drawer  2 pcs.	9 - Left sidewall of the drawer  2 pcs.	10 - Drawer facade  2 pcs.	11 - Drawer cover  2 pcs.	12 - 5x40 Confirmat screw  24 pcs.
13 - 3mm hex key  1 pc.	14 - Set of minifixes  8 pcs.	15 - Screwdriver  1 pc.	16 - 3x20 self-tapping screw  4 pcs.	17 - Shelf-holder  4 pcs.	



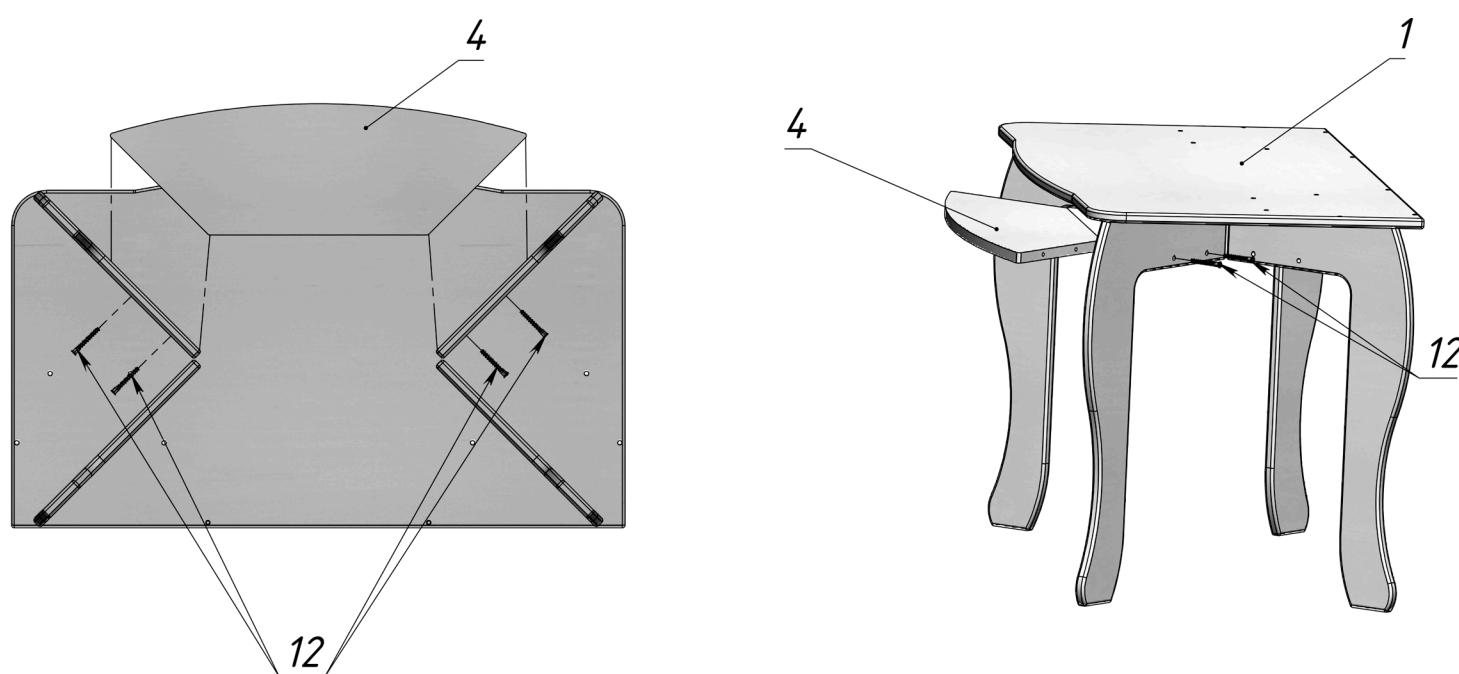
Pic. 1

Take the Tabletop (1) and using the Screwdriver (13), screw the dowels from Minifixes (12) in. See Pic. 1



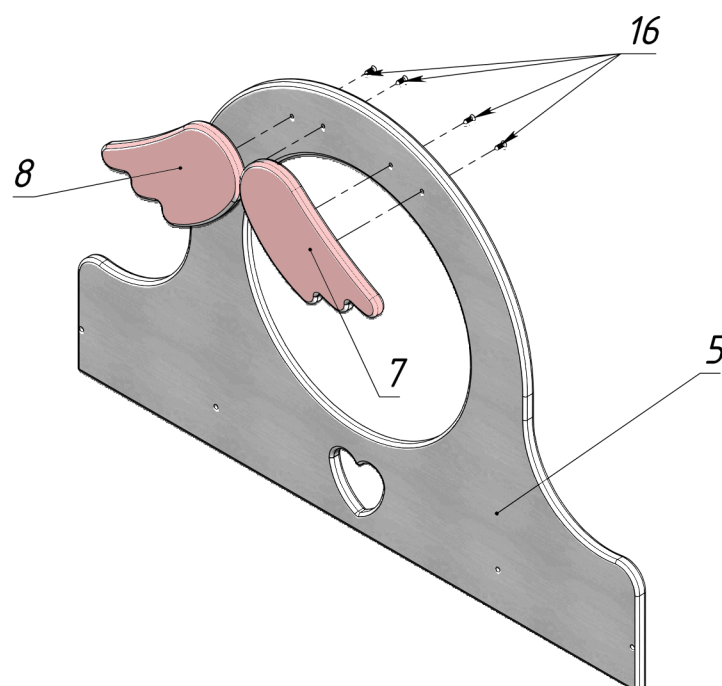
Pic. 2

Install the Stand #1 and #2 (2,3) from beneath the Tabletop (1) and using the Screwdriver (15), close the eccentrics located on the Stands (2,3) clockwise. See Pic. 2.



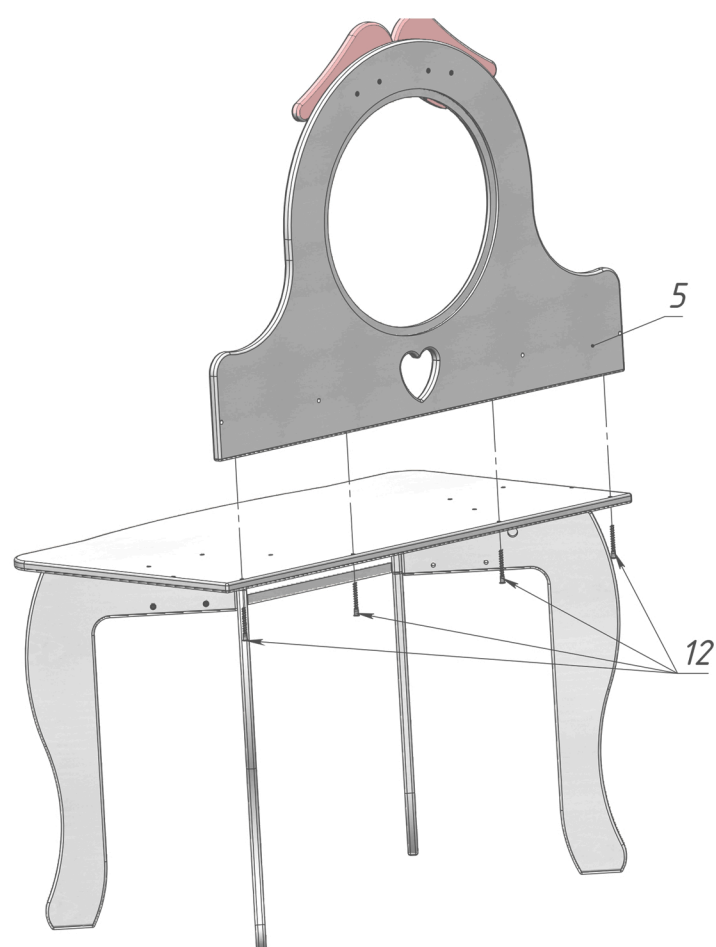
Pic. 3

Fix the front Shelf (4) using the Confirmat screws (12) and hex key (13). See Pic. 3



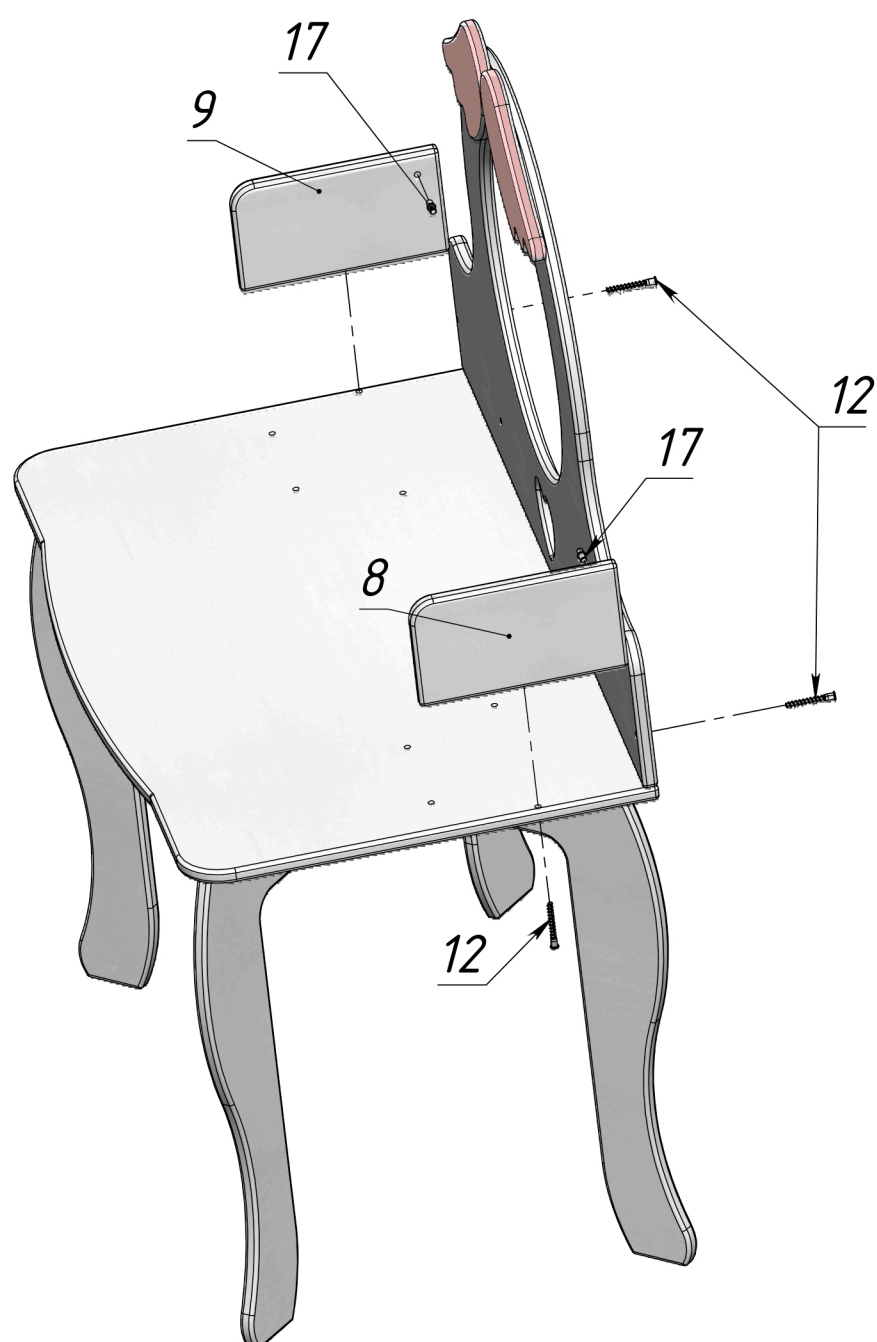
Pic. 4

Take the Mirror holder (5) and using the Self-tapping screws (16) and Screwdriver (15), screw the Right and Left wings (7, 8) from behind. See Pic. 4.



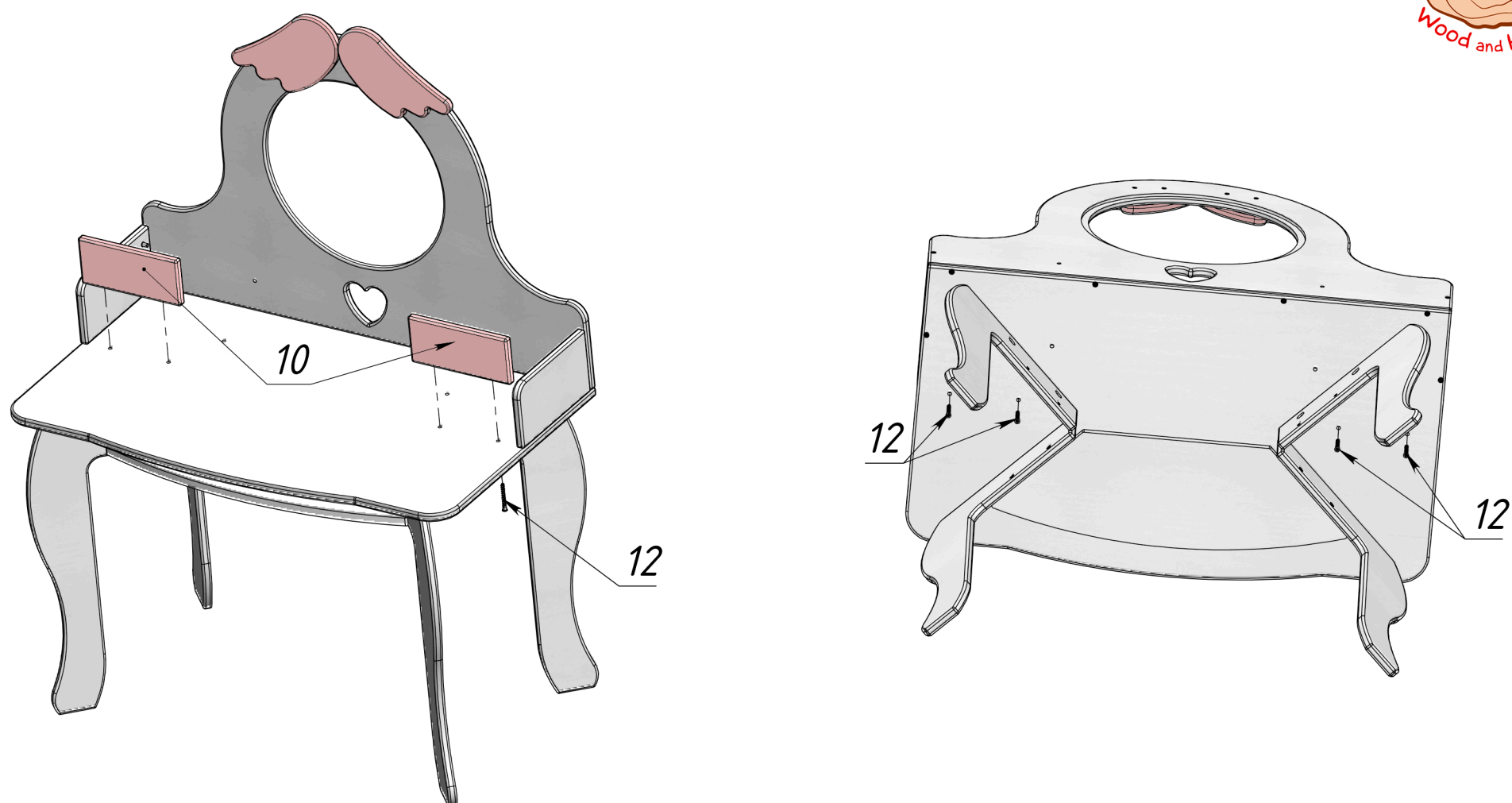
Pic. 5

Using the confirmat screws (12) and hex key (13), screw the Mirror holder (5) to the Tabletop (1). See Pic. 5



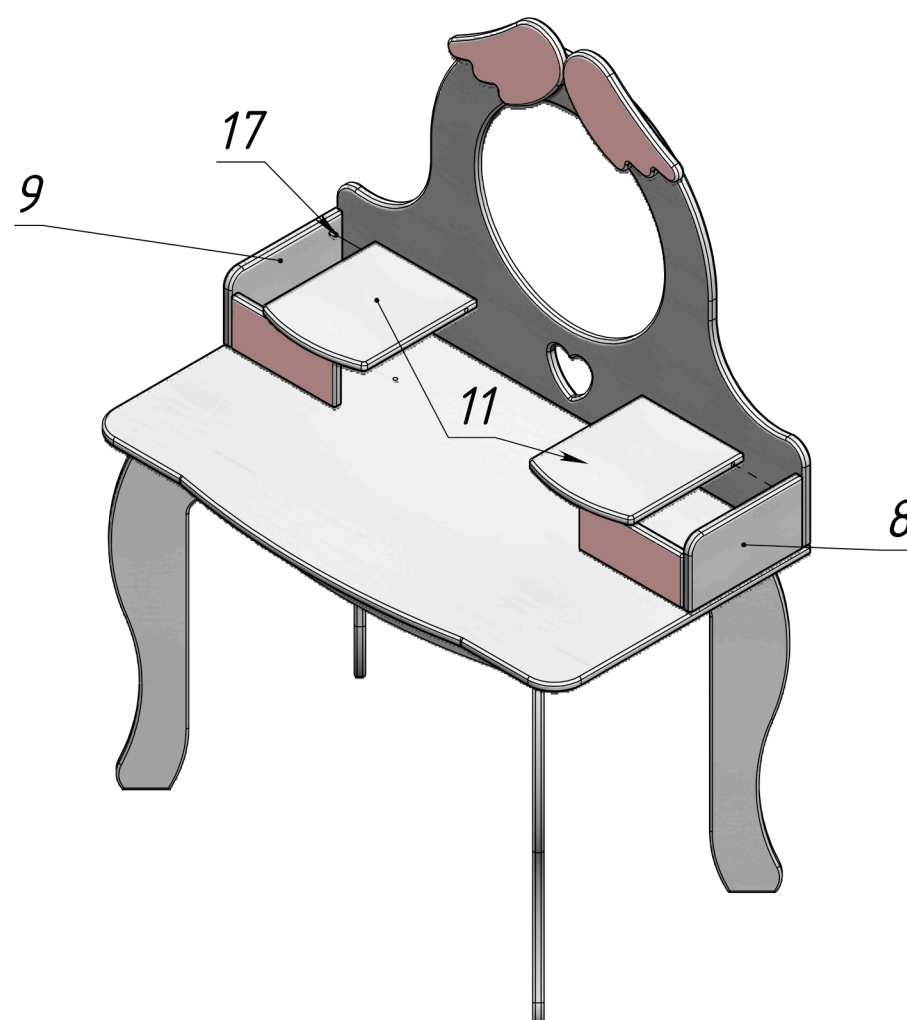
Pic. 6

Take the Sidewalls of the drawers (8, 9), and screw them to the Tabletop (1) and to the Mirror holder (5) with the confirmat screws (12). Then install the Shelf-holder (17) into the sidewalls (8, 9). See Pic. 6.



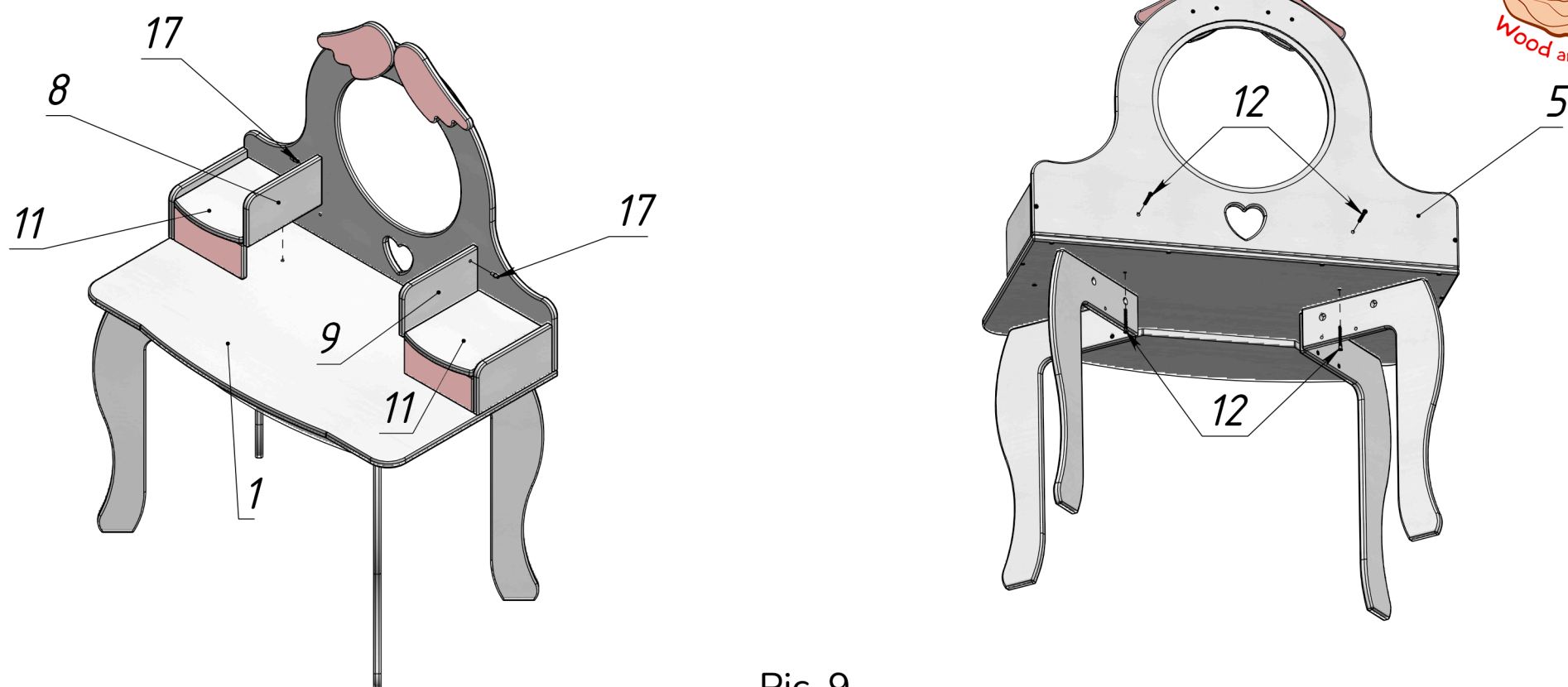
Pic. 7

Screw the Facade of the drawers (10) to the Tabletop (1) from beneath using the confirmats (12) and hex jey (13). See Pic. 7.



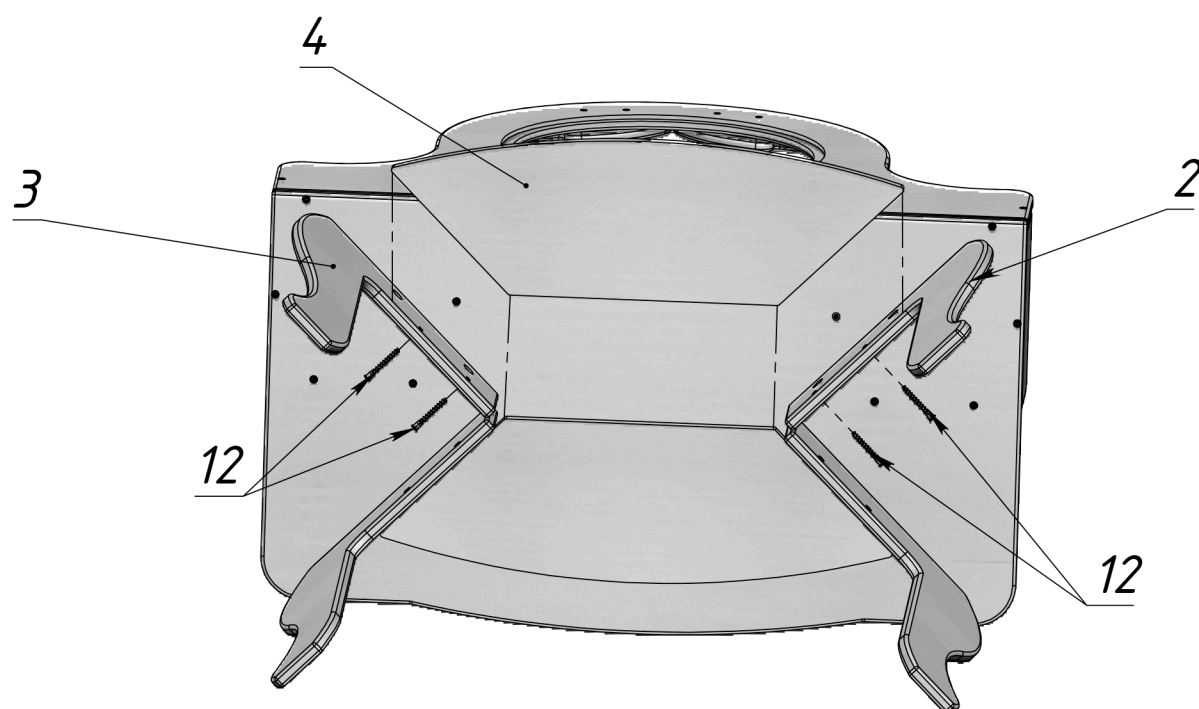
Pic. 8

Install the Drawer covers (11) onto the Shelf-holders (17) located on the Sidewalls of the drawers (8, 9). See Pic. 8.



Pic. 9

Install the Shelf-holders (17) into another sidewalls (8, 9). Then put the Sidewalls (8, 9) near the Drawer covers (11). Attach the sidewalls (8, 9) to the Tabletop (1) and Mirror Holder (5) using the confirmat screws (12) and hex key (13). See Pic. 9.



Pic. 10

Attach a Shelf (4) to the Stands (2,3) using the Confirmat screws (12). See Pic. 10.

**To be used under the direct supervision of an adult only. Always be vigilant during children's games.**