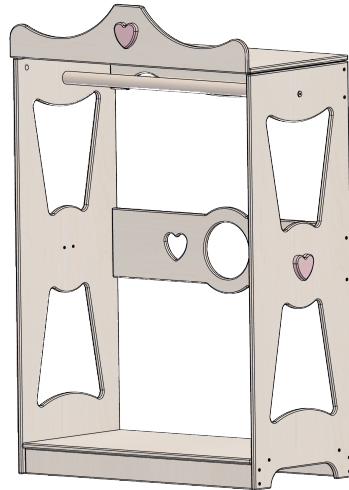
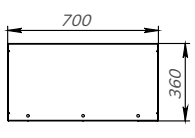
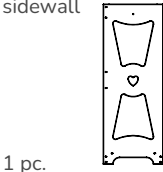
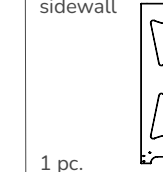
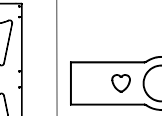
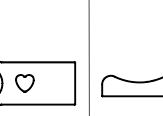
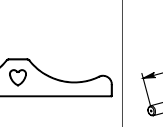
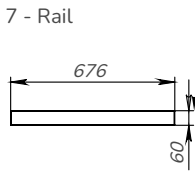
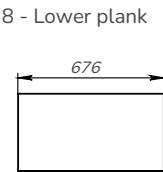
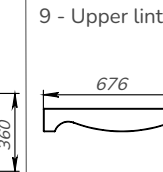
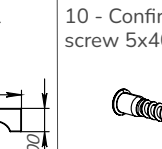
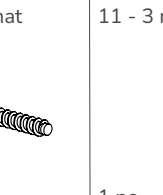
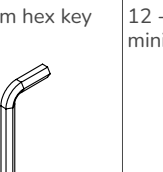


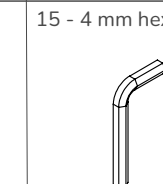
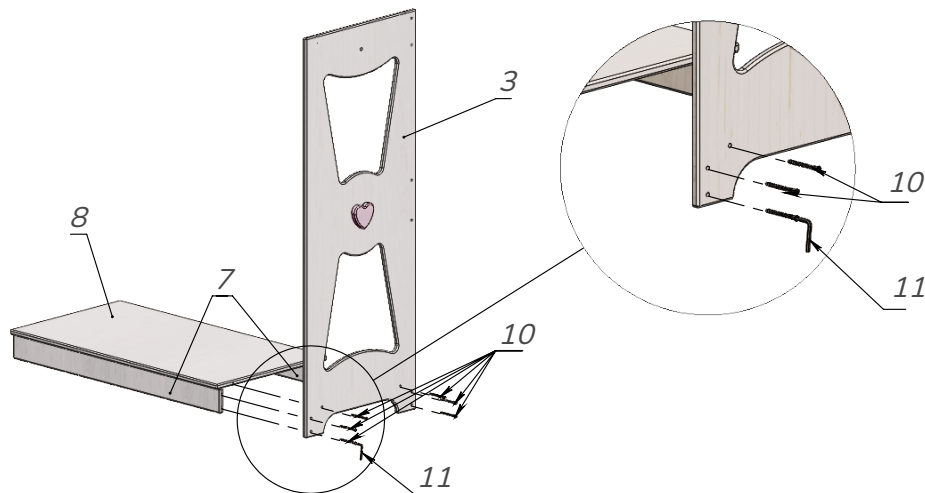


# Hanger Wardrobe "Angel"



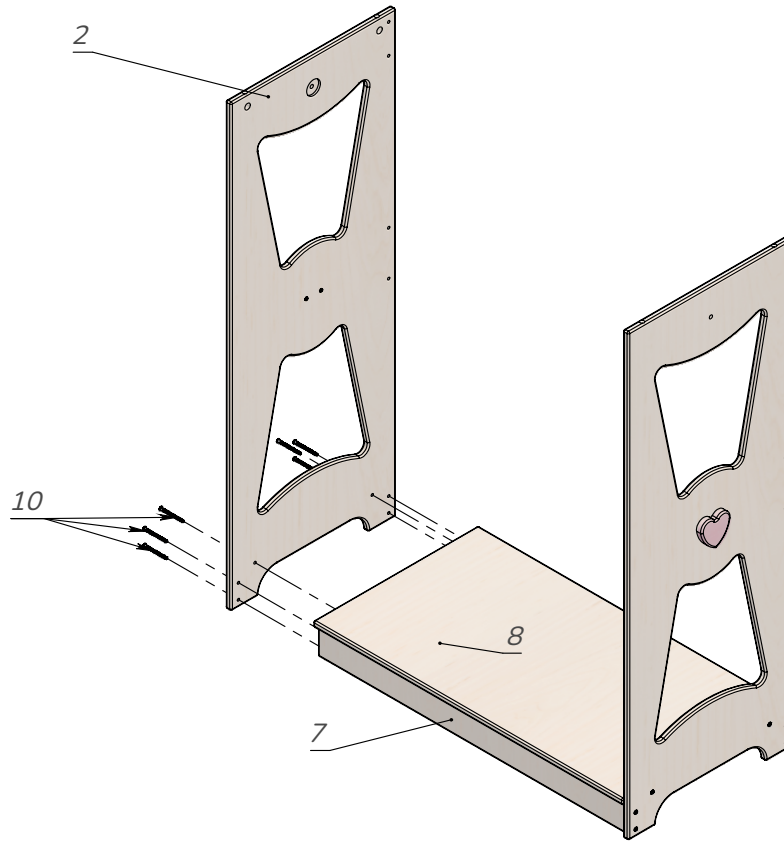
## ASSEMBLY DETAILS

1 - Upper cover  1 pc.	2 - Left sidewall  1 pc.	3 - Right sidewall  1 pc.	4 - Back lintel  1 pc.	5 - Decorative plank  1 pc.	6 - Nog  1 pc.
7 - Rail  2 pcs.	8 - Lower plank  1 pc.	9 - Upper lintel  1 pc.	10 - Confirmat screw 5x40  20 pcs.	11 - 3 mm hex key  1 pc.	12 - Set of minifixes*  7 pcs.
13 - Screwdriver  1 pc.	14 - Screw 6.3x40  2 pcs.	15 - 4 mm hex key  1 pc.	<p>*eccentric ties are already installed into the details</p>		



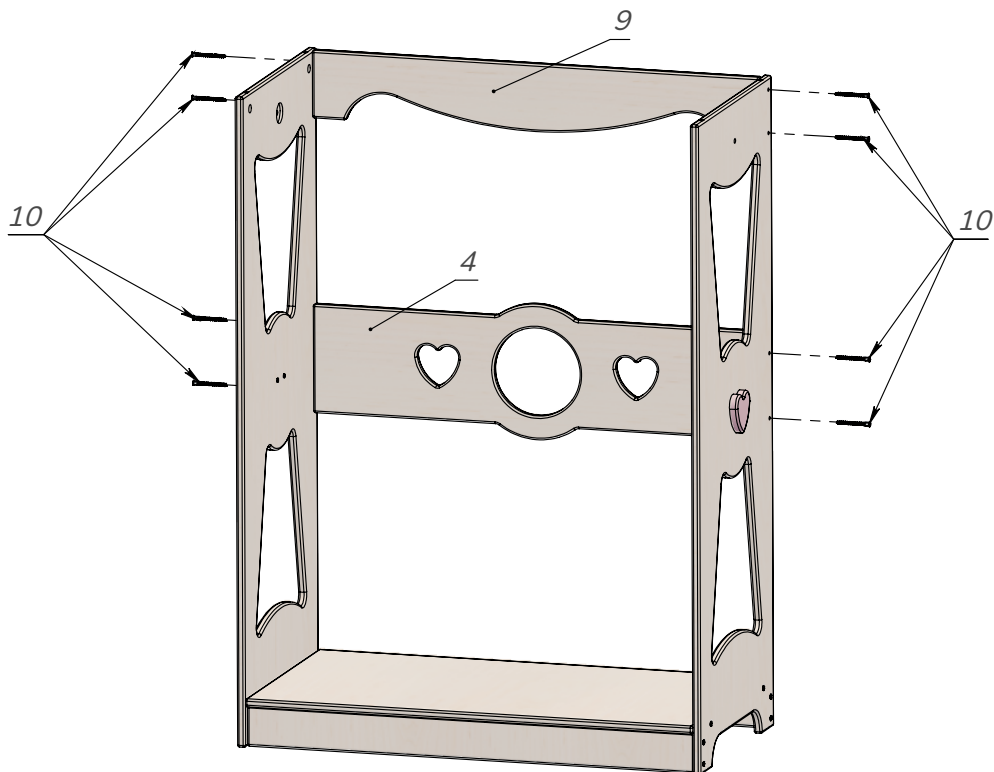
Pic. 1

Take the right sidewall (3) and using the confirmat screws (10) and hex key (11) attach the rail (7) and lower plank (8). See Pic.1.



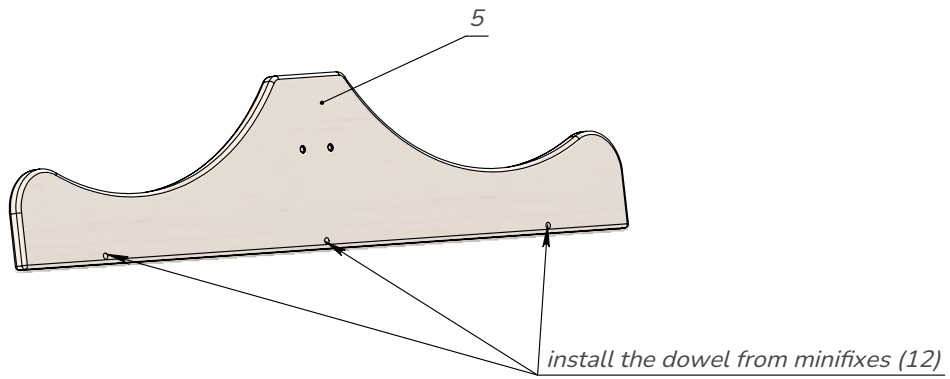
Pic. 2

Another sidewall (2) is to be attached to the rail (7) and lower plank (8) with the confirmat screws (10). See Pic.2.



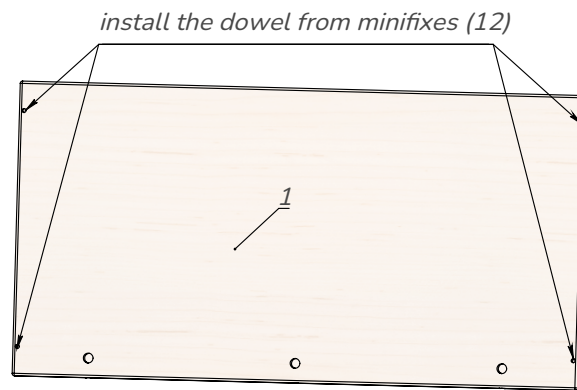
Pic. 3

Attach the back and upper lintels (4,9) to the previously assembled construction with the confirmat screws (10). See Pic.3.



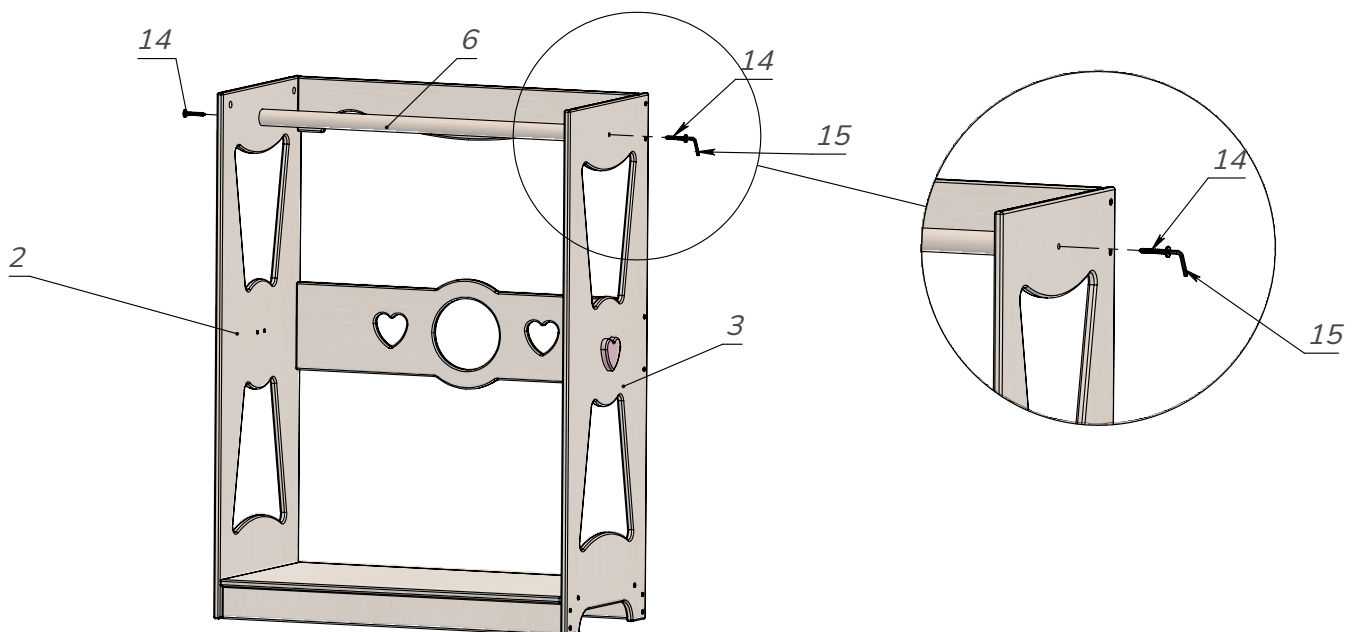
Pic. 4

Using the screwdriver (13), install the dowels of minifixes (12) into the decorative plank (5). See Pic.4.



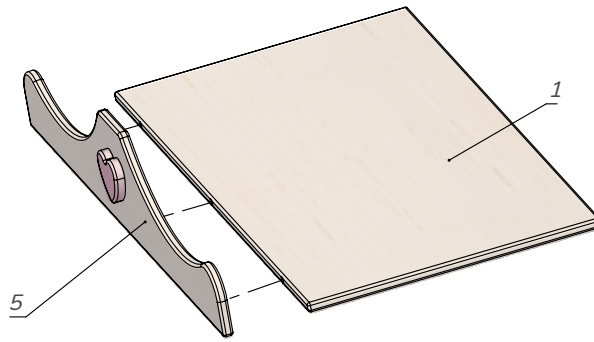
Pic. 5

Using the screwdriver (13), install the dowels of minifixes (12) into the upper cover (1). See Pic.5.



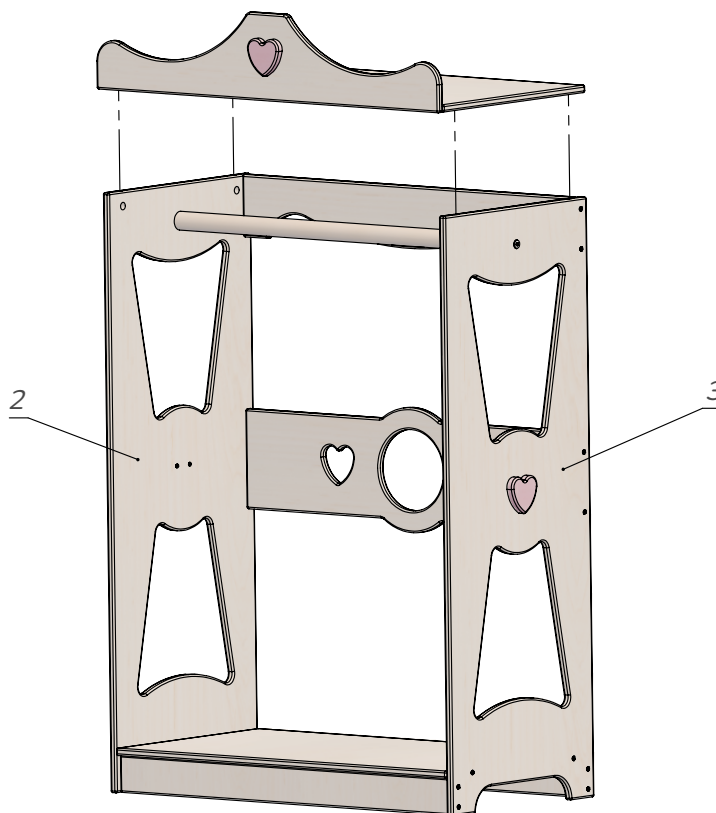
Pic. 6

Install the nog (6) in between the sidewalls (2,3) and attach it with the screws (14) and hex key (15). See Pic.6.



Pic. 7

Join the decorative plank (5) and upper cover (1) and close the eccentric ties (12) located in the upper cover (1) clockwise. See Pic.7.



Pic. 8

Attach previously received semi-products and close the eccentric ties (12) located in the sidewalls (2,3) clockwise. See Pic. 8.



To be used for its intended purpose only and under the direct supervision of an adult! All the responsibility for children's injuries received during games on the furniture lies on adults watching after them.

Always be vigilant during children's games!