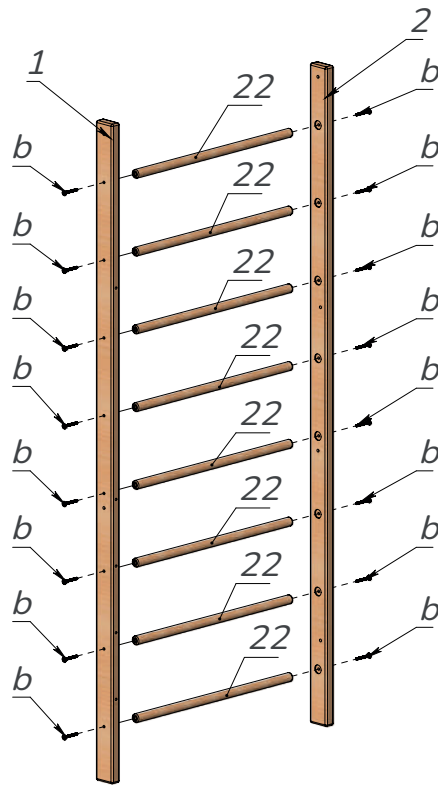


Climbing complex "Tower"



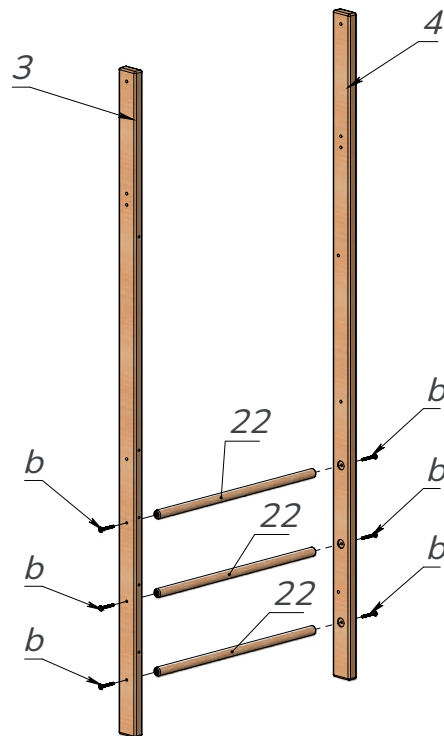
ASSEMBLY DETAILS

<p>1 - Sidewall for 8 nogs #1</p> <p>1900</p> <p>1 pc.</p>	<p>2 - Sidewall for 8 nogs #2</p> <p>1900</p> <p>1 pc.</p>	<p>3 - Sidewall for 3 nogs #1</p> <p>1900</p> <p>1 pc.</p>	<p>4 - Sidewall for 3 nogs #2</p> <p>1900</p> <p>1 pc.</p>	<p>5 - Sidewall for 5 nogs #1</p> <p>1570</p> <p>1 pc.</p>
<p>6 - Sidewall for 5 nogs #1</p> <p>1570</p> <p>1 pc.</p>	<p>7 - Sidewall of the monkey bar</p> <p>2 pcs.</p>	<p>8 - Back plank</p> <p>2 pcs.</p>	<p>9 - Roof sidewall #1</p> <p>1 pc.</p>	<p>10 - Roof sidewall #2</p> <p>1 pc.</p>
<p>11 - Roof plank #1</p> <p>704</p> <p>130</p> <p>2 pcs.</p>	<p>12 - Roof plank #2</p> <p>116</p> <p>704</p> <p>6 pcs.</p>	<p>13 - Roof plank #3</p> <p>704</p> <p>2 pcs.</p>	<p>14 - Base #1</p> <p>1 pc.</p>	<p>15 - Base #2</p> <p>1 pc.</p>
<p>16 - Climbing wall #1</p> <p>2 pcs.</p>	<p>17 - Climbing wall #2</p> <p>2 pcs.</p>	<p>18 - Long plank</p> <p>718</p> <p>30</p> <p>2 pcs.</p>	<p>19 - Short plank</p> <p>542</p> <p>30</p> <p>1 pc.</p>	<p>20 - Left sidewall of a pull-up bar</p> <p>1 pc.</p>
<p>21 - Right sidewall of the pull-up bar</p> <p>1 pc.</p>	<p>22 - Nog #1</p> <p>608</p> <p>∅ 25</p> <p>16 pcs.</p>	<p>23 - Nog #2</p> <p>626</p> <p>∅ 25</p> <p>7 pcs.</p>	<p>24 - Nog #3</p> <p>576</p> <p>∅ 25</p> <p>2 pcs.</p>	<p>25 - Rope ladder</p> <p>1 pc.</p>
<p>a - Screw M6x80</p> <p>10 pcs.</p>	<p>b - Screw M6x50</p> <p>38 pcs.</p>	<p>c - Screw M6x35</p> <p>34 pcs.</p>	<p>d - Erickson nut M6x16</p> <p>20 pcs.</p>	<p>e - Self-tapping screw 3x25</p> <p>60 pcs.</p>
<p>f - Wooden dowel M8x30</p> <p>6 pcs.</p>	<p>g - Hex key 4 mm</p> <p>2 pcs.</p>	<p>h - Screwdriver</p> <p>1 pc.</p>	<p>i - Dowel</p> <p>4 pcs.</p>	<p>j - Self-tapping screw 6x100</p> <p>4 pcs.</p>



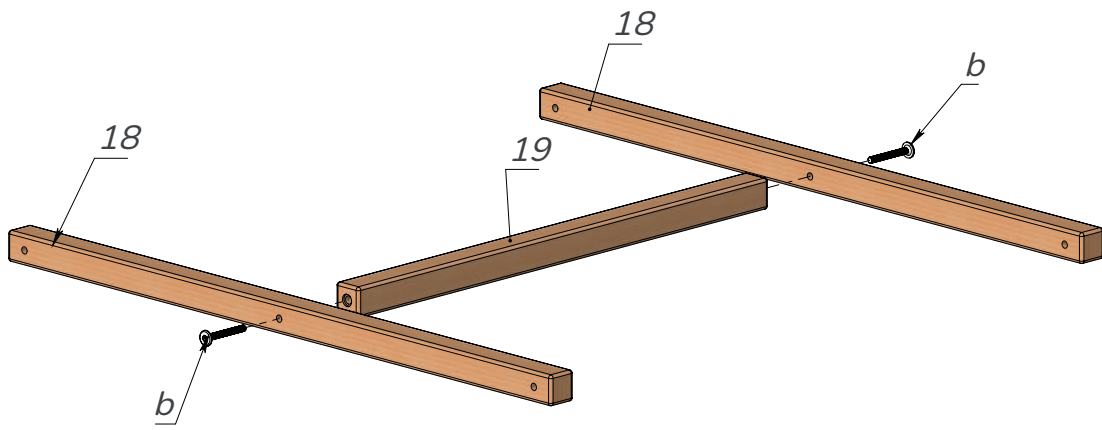
Pic. 1

Attach the nogs (22) to the sidewall (1) with the screws (b) and a hex key (g). Then do the same with another sidewall (2). See Pic. 1.



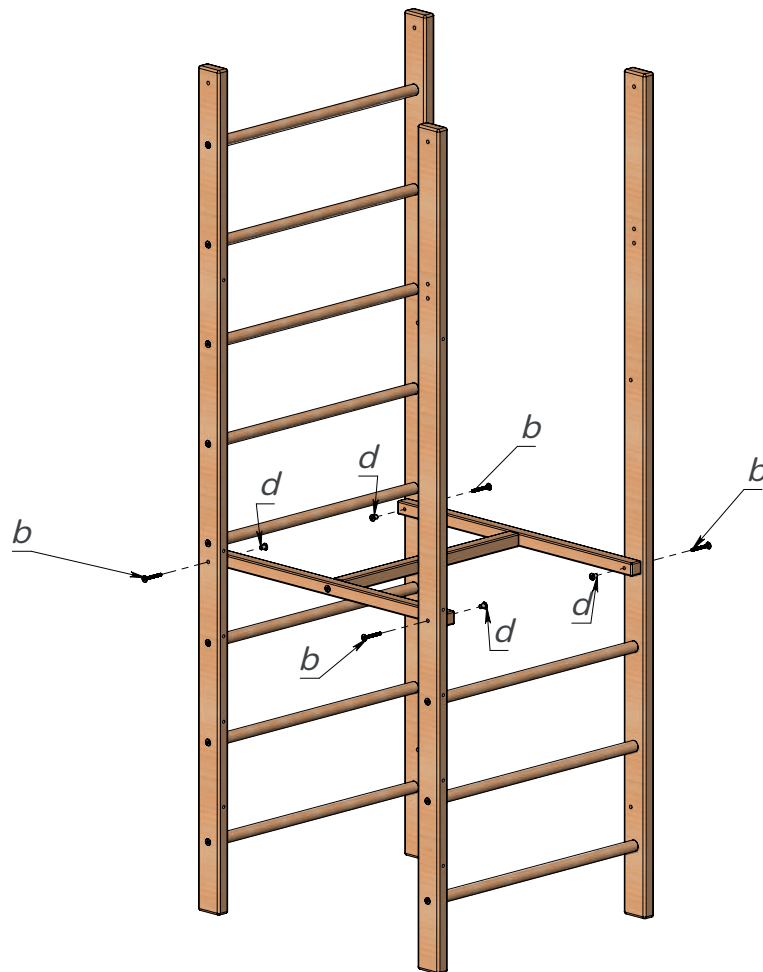
Pic. 2

Attach the nogs (22) to the sidewall (3) using the screws (b) and a hex key (g). Then do the same with the another sidewall (4). See Pic. 2.



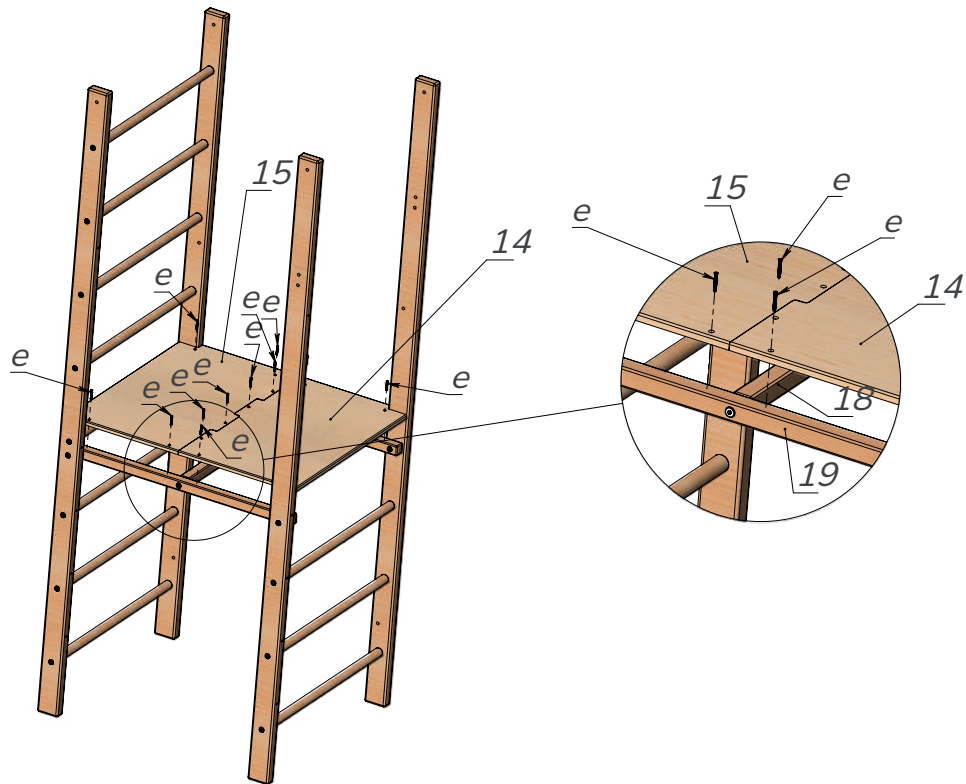
Pic. 3

Take the short plank (19) and fasten it between the long planks (18) using the screws (b) and a hex key (g). See Pic. 3.



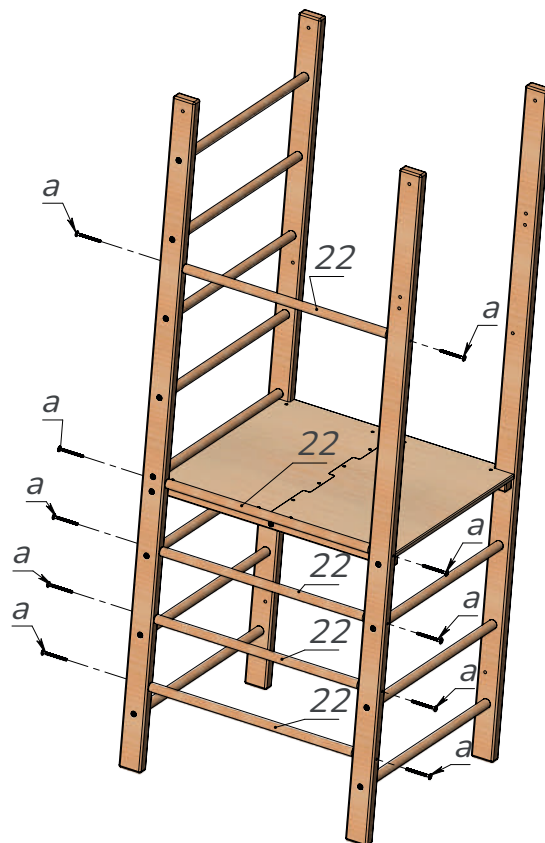
Pic. 4

Connect the previously assembled constructions (Pic. 1, 2, and 3) using the screws (b), screws (d) and a hex key (g). See Pic. 4.



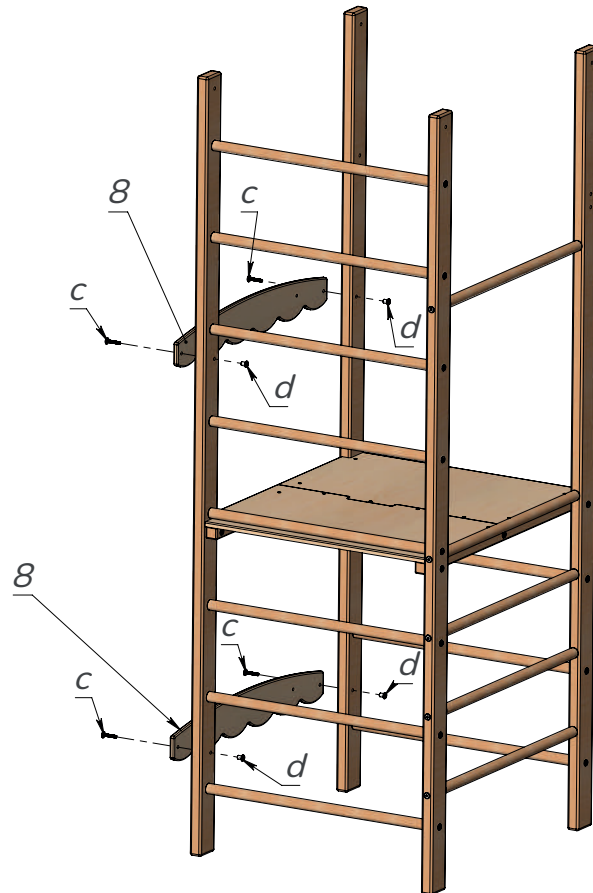
Pic. 5

Take the bases (14,15) and attach them to the previously assembled construction using the self-tapping screws (e) and a screwdriver (h). See Pic. 5.



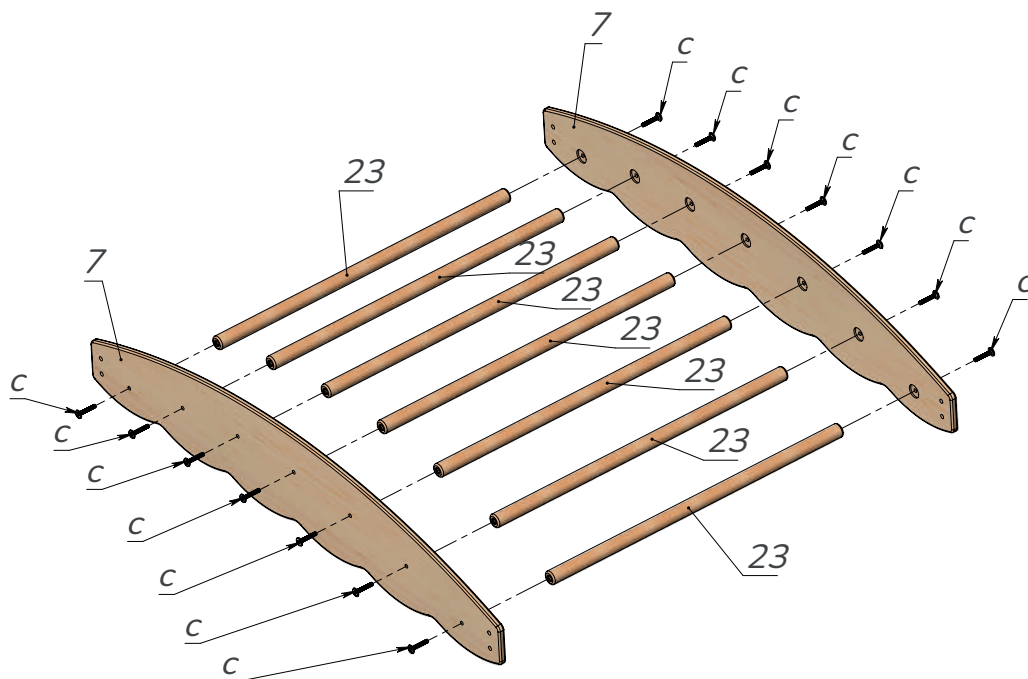
Pic. 6

Connect the nogs (22) using the screws (a) and a hex key (g). See Pic. 6.



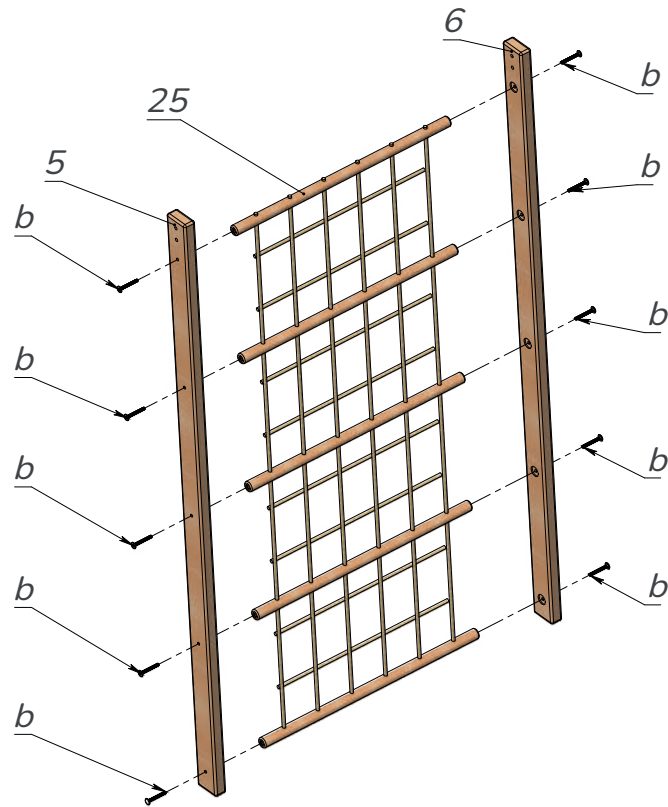
Pic. 7

Take the back planks (8) and connect them to the previously assembled construction using the screws (c) nuts (d) and 2 hex keys (g). See Pic. 7.



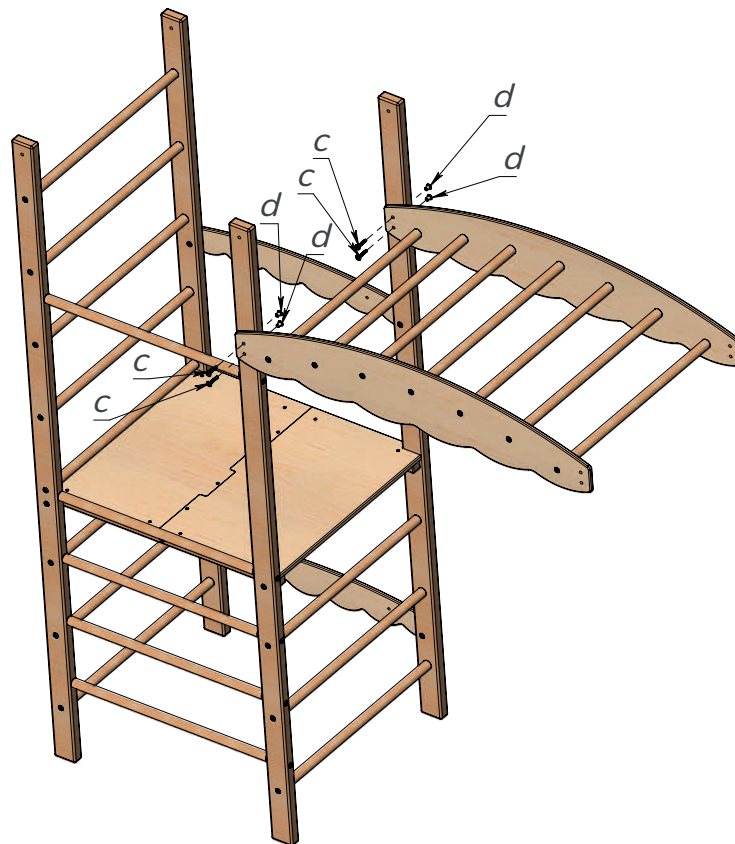
Pic. 8

Take the nogs (23) and connect them to the sidewalls of the monkey-bar (7) using the screws (c) and a hex key (g). See Pic. 8.



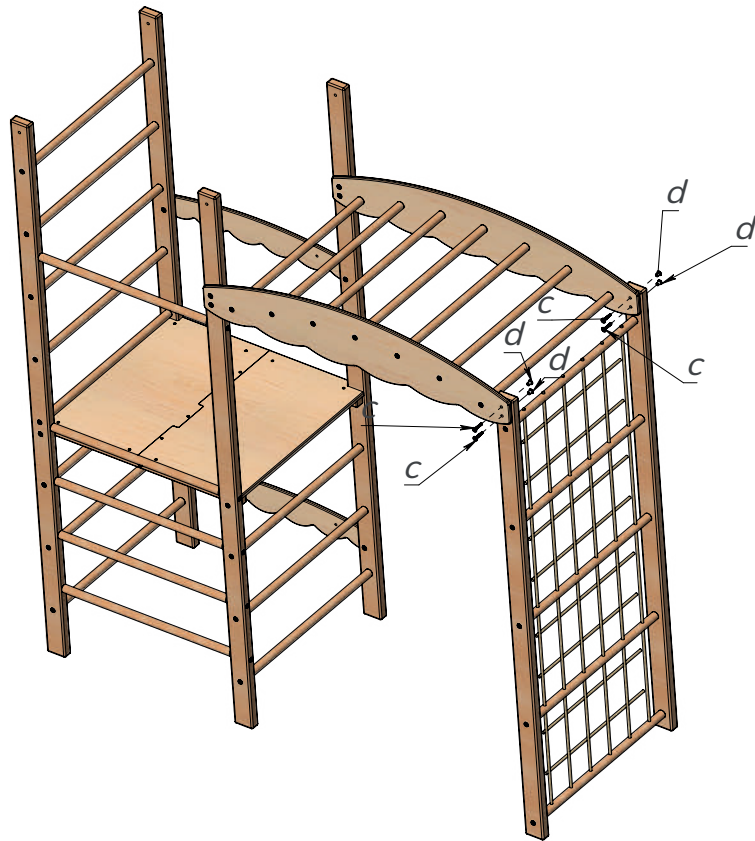
Pic. 9

Take the sidewall (5) and sidewall (6) and connect them to the rope ladder (25) using the screws (b) and a hex key (g). See Pic. 9



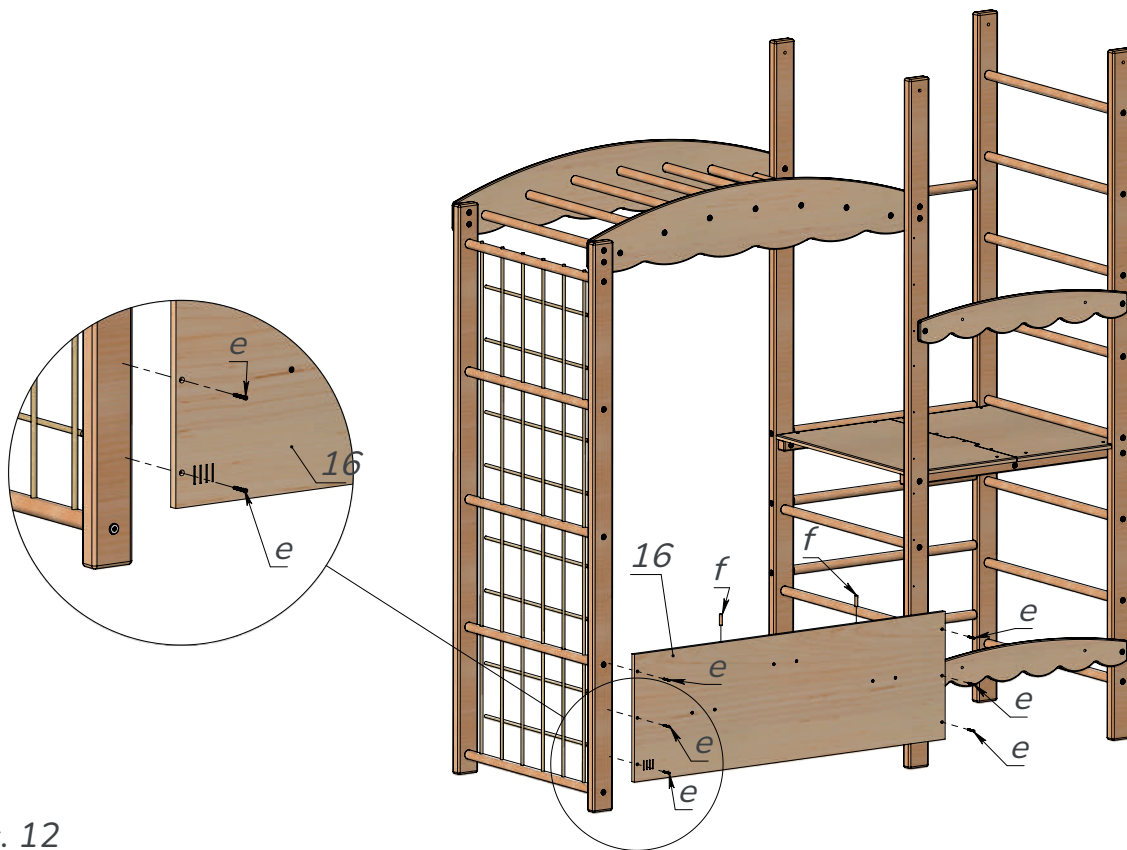
Pic. 10

Connect the constructions described on Pic. 7 and 8 using the screws (c), nuts (d) and a hex key (g). See Pic. 10.



Pic. 11

Connect the constructions depicted in Pic. 9 and 10 using the screws (c), nuts (d) and two hex keys (g). See Pic. 11.



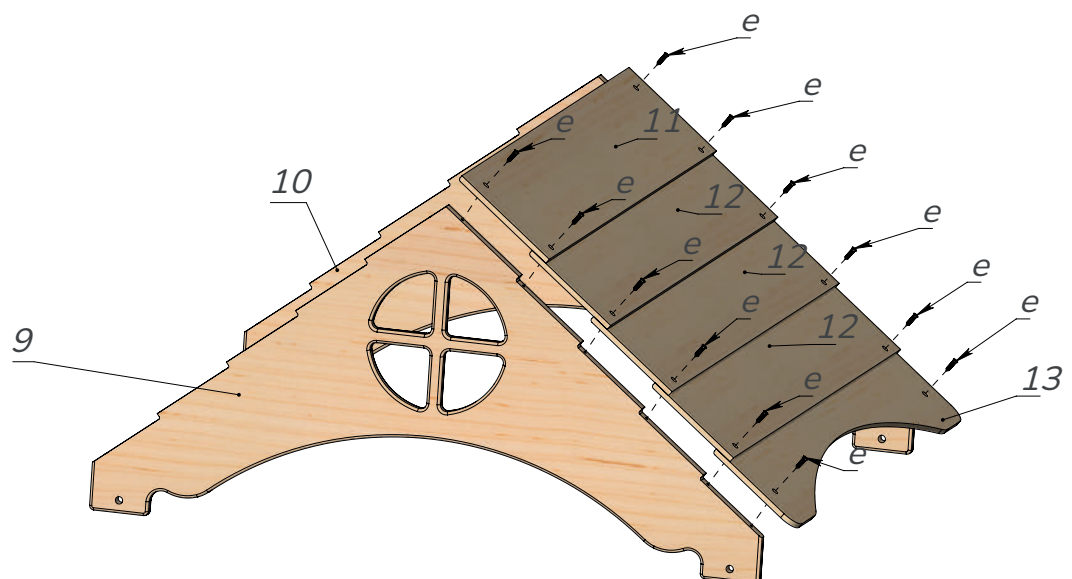
Pic. 12

Take the climbing wall (16) with the engraved sign IIII behind and fasten it to the lower position using the screws (e) and a screwdriver (h). Insert the dowel pins (f). See Pic. 12.



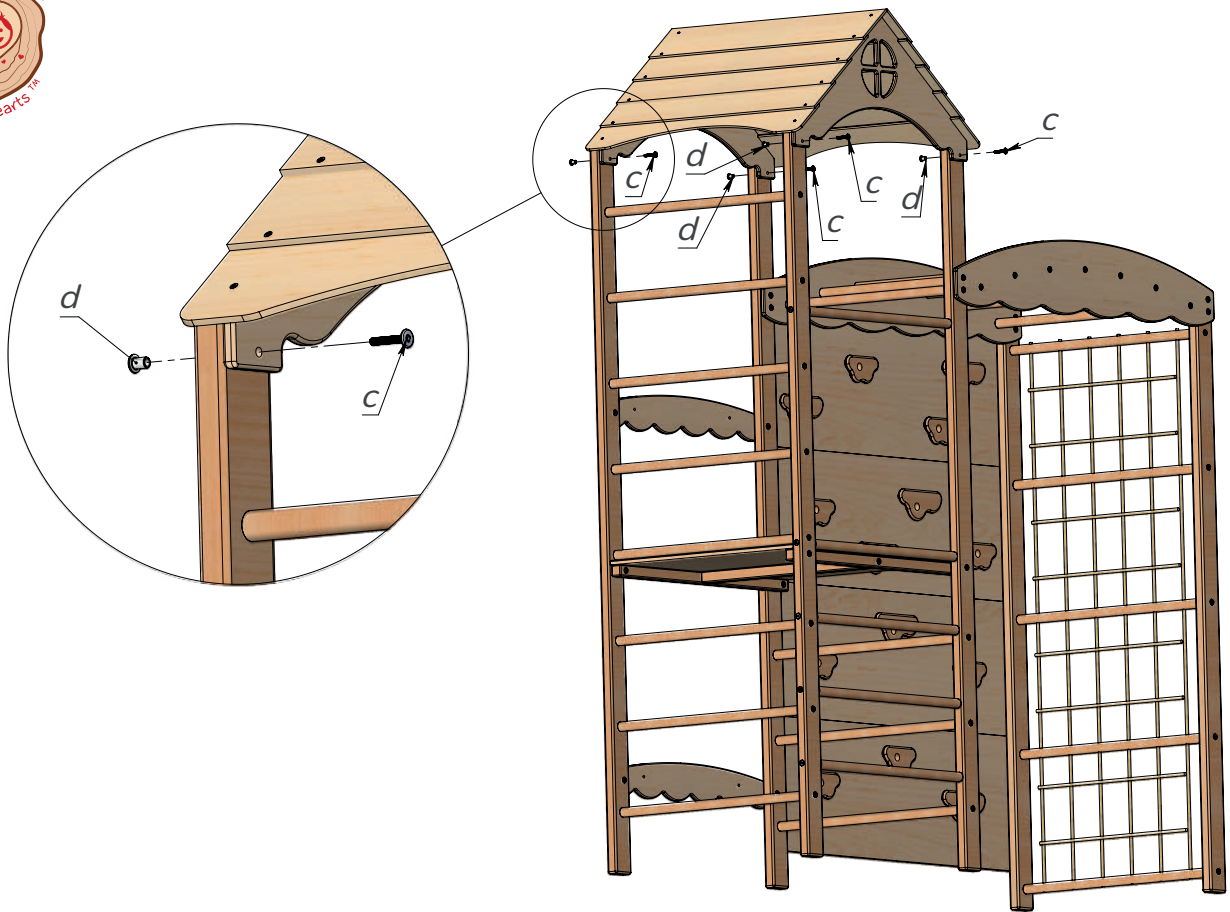
Pic. 13

Take other climbing walls (16 and 17) and attach them in accordance with the engraved number mark, after prior installation of dowel pins (f), in a descending succession using the screws (e) and a screwdriver (h). See Pic. 13.



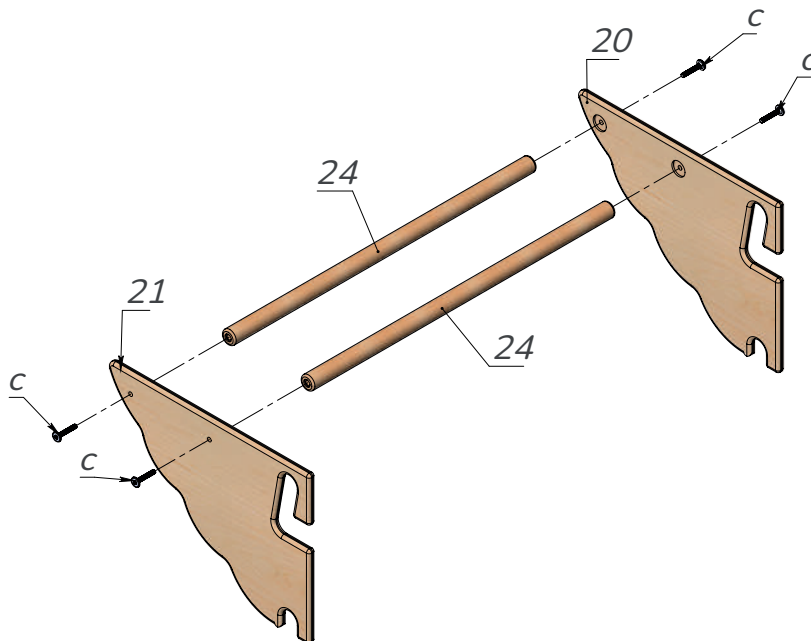
Pic. 14

Connect the roof sidewalls (9, 10) with roof planks (13, 12, and 11) in turns using the screws (e) and a screwdriver (h). See Pic. 14.
Fulfill the same steps with the other side of the roof.



Pic. 15

Fasten the assembled roof to the base construction using the screw (c), nuts (d) and two hex keys (g). See Pic. 15.



Pic. 16

Take the sidewall (20) and connect it to the noggs (24) using the screws (c) and a hex key (g). Then fulfill the same steps with the other sidewall (21) . See Pic. 16.



Pic. 17

Install the assembled pull-up bar . See Pic. 17.

How to mount the "Tower" to the concrete or brick wall:



Pic. 18

Take the assembled construction and mount it to the concrete or brick wall with the dowels (i) and screws (j). See Pic. 18.

How to mount the "Tower" to the drywall or plasterboard wall:



Pic. 19

Take the assembled construction and mount it to the wooden rail of the drywall using the screws (j). See Pic. 19.



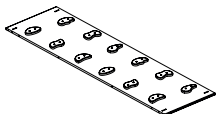
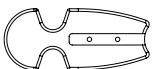
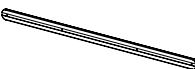

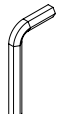
The products is meant for indoor use only.
To be used for its intended purpose only and under
the direct supervision of an adult!
All the responsibility for children's injuries received during
games on the furniture lies on adults watching after them.

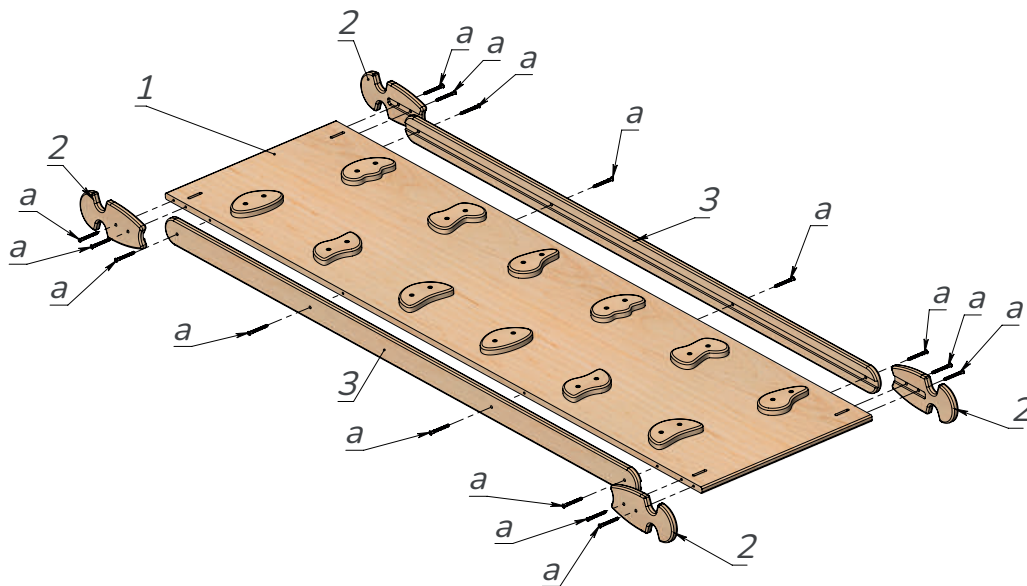
Always be vigilant during children's games!

Ramp to the "Tower" complex



ASSEMBLY DETAILS

<p>1 - Ramp</p>  <p>1 pc.</p>	<p>2 - Hooks</p>  <p>4 pcs.</p>	<p>3 - Sidewall</p>  <p>2 pcs.</p>	<p>a - Confirmat screw 5x40</p>  <p>16 pcs.</p>	<p>b - 3 mm hex key</p>  <p>1 pc.</p>
--	--	---	--	--



Pic. 1

Take the ramp (1) and using the confirmat screws (a) and hex key (b), attach at first the hooks (2), and then the sidewalls (3). See Pic.1.



The products is meant for indoor use only.
To be used for its intended purpose only and under the direct supervision of an adult!
All the responsibility for children's injuries received during games on the furniture lies on adults watching after them.

Always be vigilant during children's games!