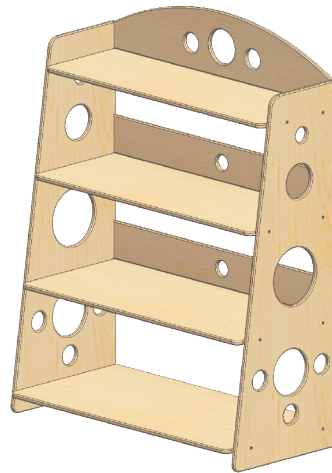
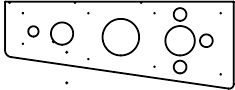
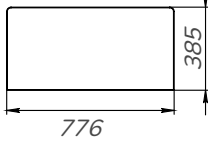

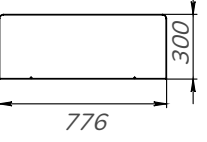
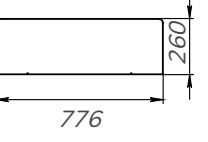
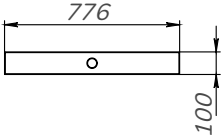
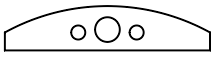

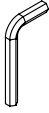
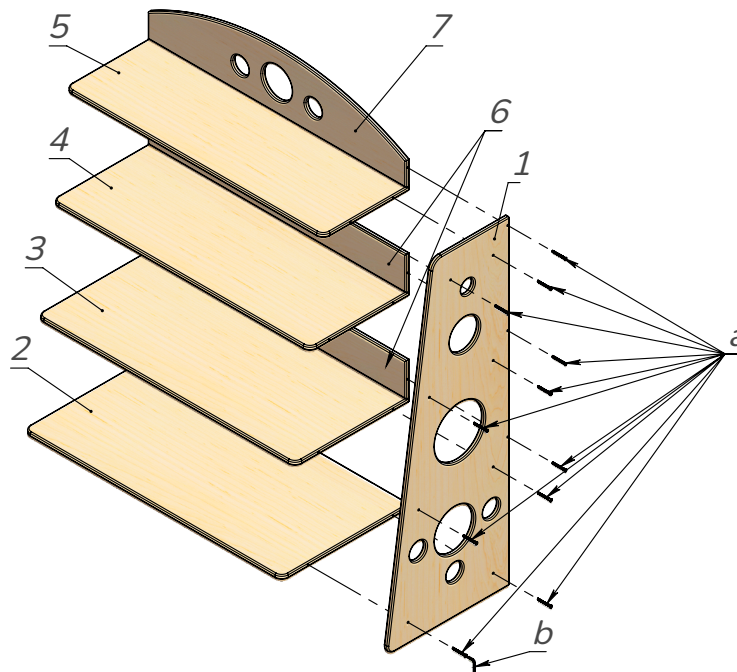


# "Dewdrop" high shelf



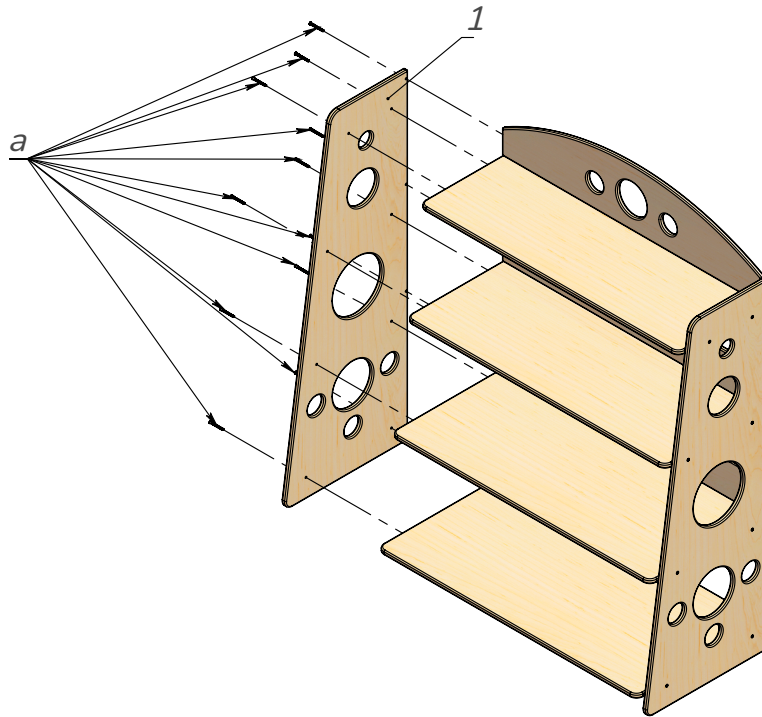
## ASSEMBLY DETAILS

<p>1- Side panel</p>  <p>2 pcs.</p>	<p>2- Lower shelf</p>  <p>1 pc.</p>	<p>3 - Shelf 2 (from bottom)</p>  <p>1 pc.</p>	<p>4 - Shelf 3 (from bottom)</p>  <p>1 pc.</p>	<p>5 - Shelf 4 (from bottom)</p>  <p>1 pc.</p>
<p>6 - Back bar</p>  <p>2 pcs.</p>		<p>7 - Decor</p>  <p>1 pc.</p>	<p>a - Confirmat screw 5x40</p>  <p>28 pcs.</p>	<p>b - 3mm Hex key</p>  <p>1 pc.</p>



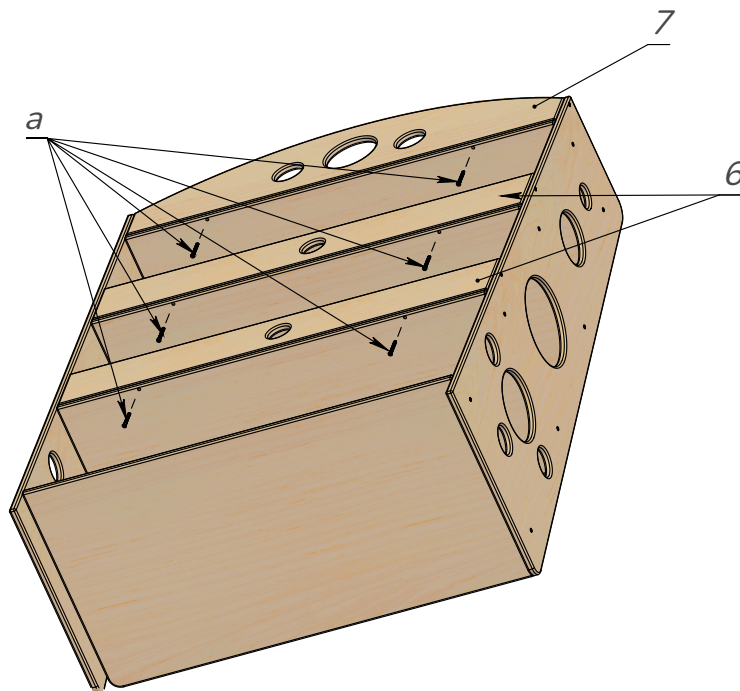
Pic. 1

Take the side panel (1) and fasten the shelves (2, 3, 4, 5), back bar (6) and decor (7) to it with the help of confirmat screws (a) and the hex key (b). See Pic.1.



Pic. 2

Screw another sidewall (1) to the previously assembled structure with the help of confirmats (a). See Pic. 2.



Pic. 3

Fasten the back bar (6) and decor (7) to the shelves with confirmats (8). See Pic. 3



The products is meant for indoor use only.  
To be used for its intended purpose only and under  
the direct supervision of an adult!  
All the responsibility for children's injuries received during  
games on the furniture lies on adults watching after them.

Always be vigilant during children's games!