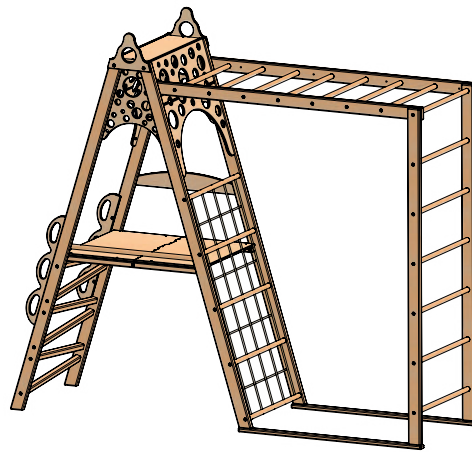


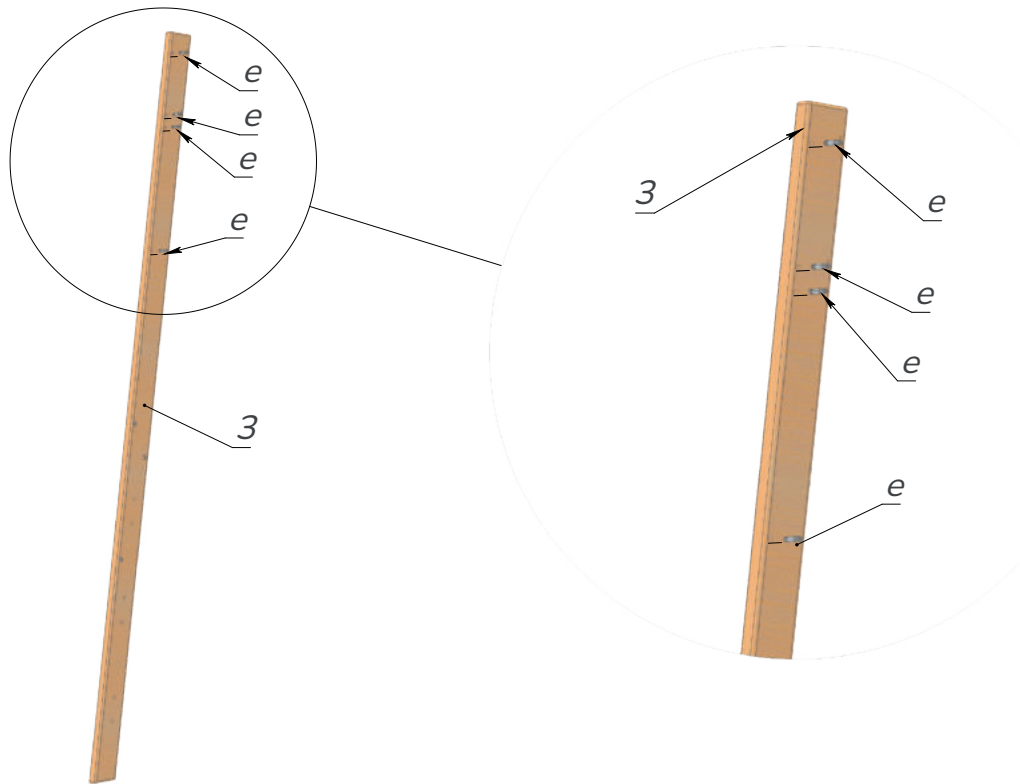


# "Circle" Teepee Indoor Playground



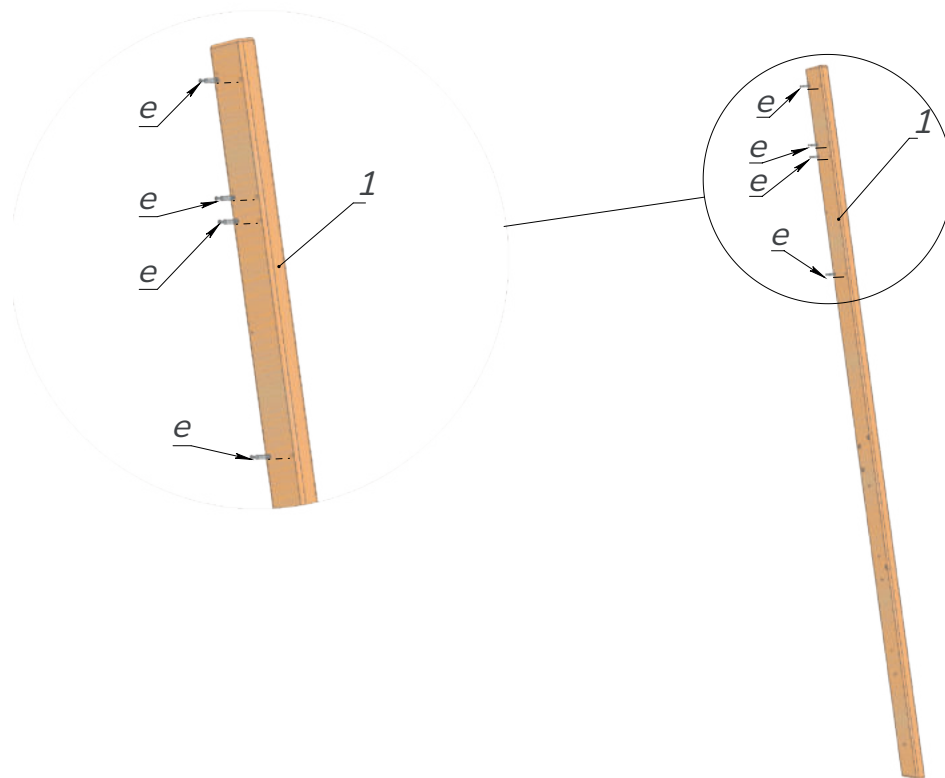
## ASSEMBLY DETAILS

<p>1 - Askew front stand</p> <p>1 pc.</p>	<p>2 - Askew front short stand</p> <p>1 pc.</p>	<p>3 - Askew back stand</p> <p>1 pc.</p>	<p>4 - Askew back short stand</p> <p>1 pc.</p>	<p>5 - Vertical back stand</p> <p>1 pc.</p>
<p>6 - Vertical front stand</p> <p>1 pc.</p>	<p>7 - Upper back plank</p> <p>1 pc.</p>	<p>8 - Upper front plank</p> <p>1 pc.</p>	<p>9 - Lower plank</p> <p>2 pcs.</p>	<p>10 - Middle plank</p> <p>2 pcs.</p>
<p>11 - Lintel</p> <p>1 pc.</p>	<p>12 - Askew plank</p> <p>6 pcs.</p>	<p>13 - Base</p> <p>2 pcs.</p>	<p>14 - Handle</p> <p>2 pcs.</p>	<p>15 - Upper board</p> <p>1 pc.</p>
<p>16 - Upper cover</p> <p>2 pcs.</p>	<p>17 - Back cover</p> <p>1 pc.</p>	<p>18 - Sidewall #1</p> <p>2 pcs.</p>	<p>19 - Sidewall #2</p> <p>2 pcs.</p>	<p>20 - Sidewall #3</p> <p>1 pc.</p>
<p>21 - Sidewall #4</p> <p>1 pc.</p>	<p>22 - Nog #1</p> <p>1 pc.</p>	<p>23 - Nog #2</p> <p>13 pcs.</p>	<p>24 - Rope ladder</p> <p>1 pc.</p>	<p>25 - Nog #3</p> <p>1 pc.</p>
<p>a - Screw M6x30</p> <p>18 pcs.</p>	<p>b - Screw M6x40</p> <p>38 pcs.</p>	<p>c - Screw M6x50</p> <p>20 pcs.</p>	<p>d - Screw M6x70</p> <p>2 pcs.</p>	<p>e - Set of minifixes</p> <p>16 pcs.</p>
<p>f - Self-tapping screw 3x25</p> <p>28 pcs.</p>	<p>g - 4 mm hex key</p> <p>1 pc.</p>	<p>h - Screwdriver</p> <p>1 pc.</p>	<p>i - Dowel</p> <p>4 pcs.</p>	<p>j - Self-tapping screw 6x100</p> <p>4 pcs.</p>



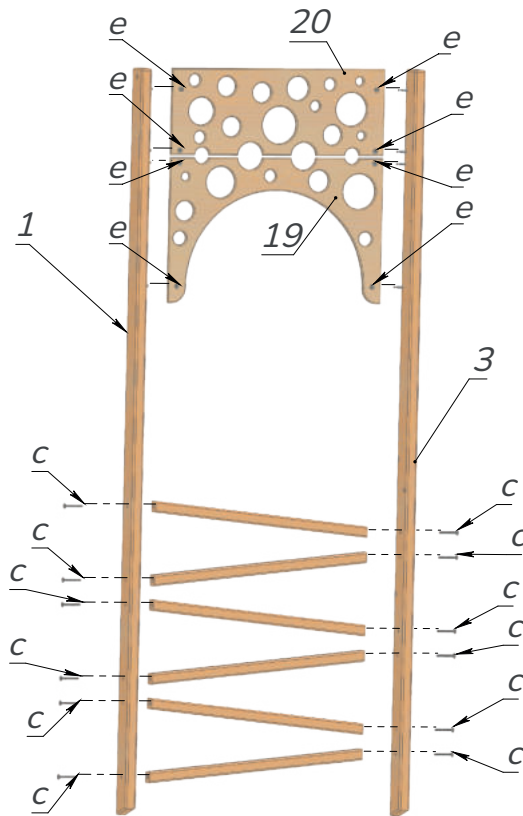
Pic. 1

Take the stand (3) and using the screwdriver (h) install the dowels from minifixes (e).  
See Pic.1.



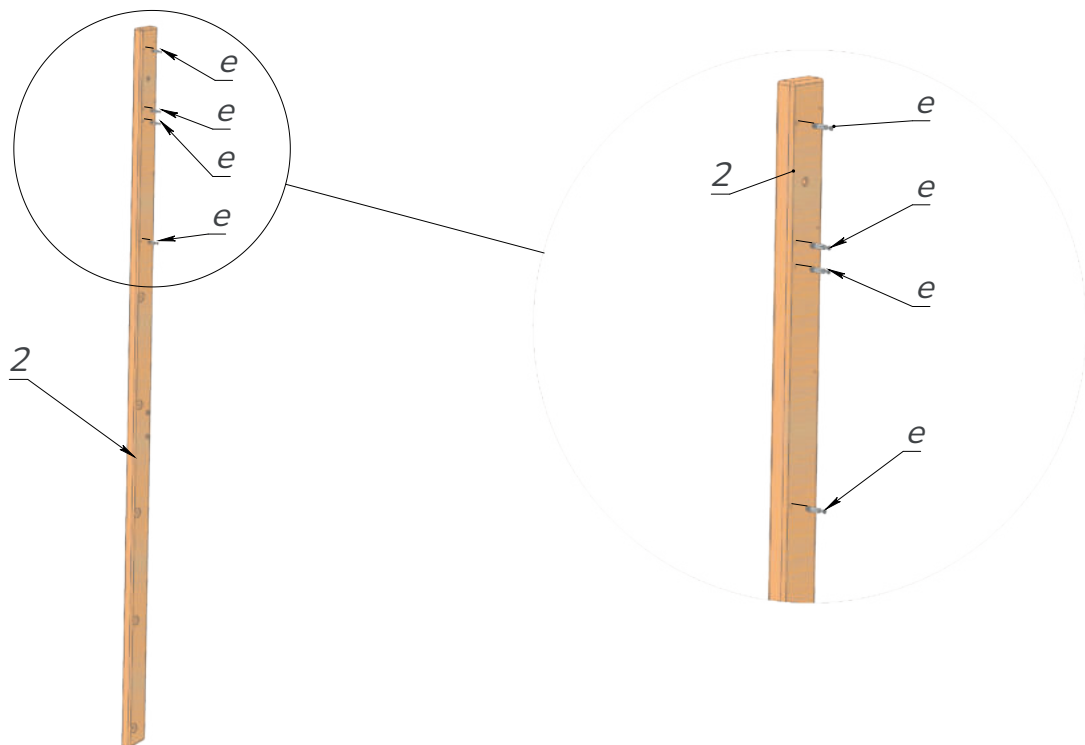
Pic. 2

Take the stand (1) and using the screwdriver (h) install the dowels from minifixes (e).  
See Pic.2.



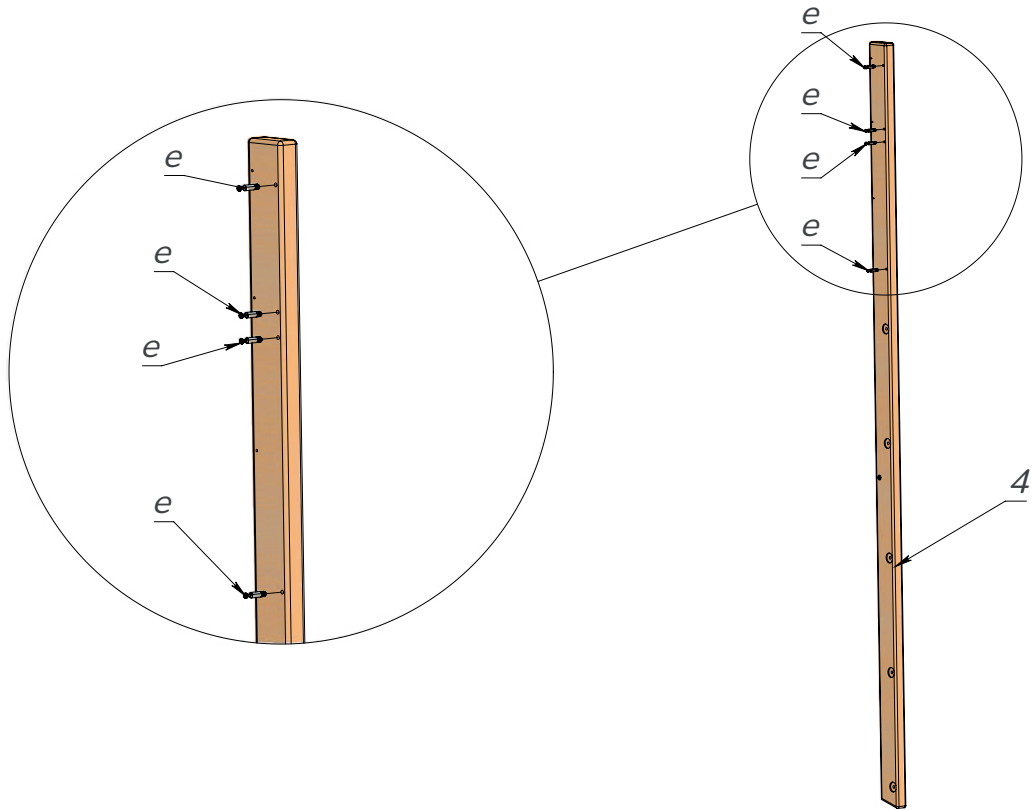
Pic. 3

Install the sidewalls #2, #3 (19, 20) between the stands (1, 3) and close the eccentric ties (e) clockwise by turning them by 180 degrees. Then attach the askew planks (12) with the help of screws (c) and hex key (g). See Pic.3.



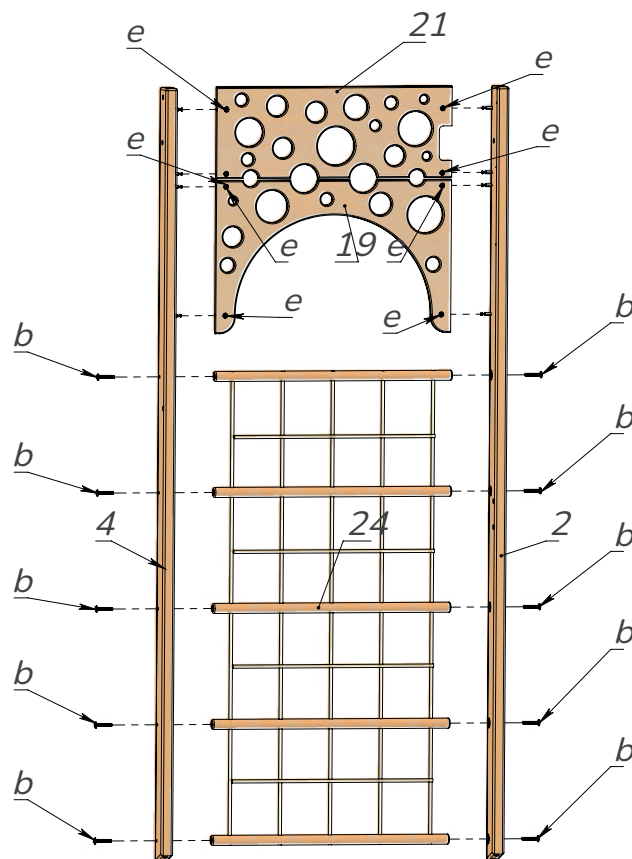
Pic. 4

Take the stand (2) and using the screwdriver (h) install the dowels from minifixes (e). See Pic.4.



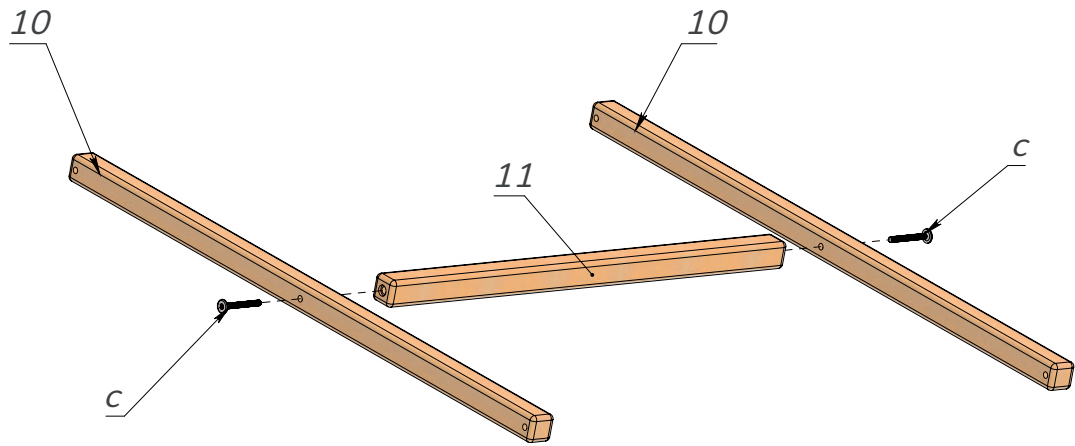
Pic. 5

Take the stand (4) and using the screwdriver (h) install the dowels from minifixes (e). See Pic.5.



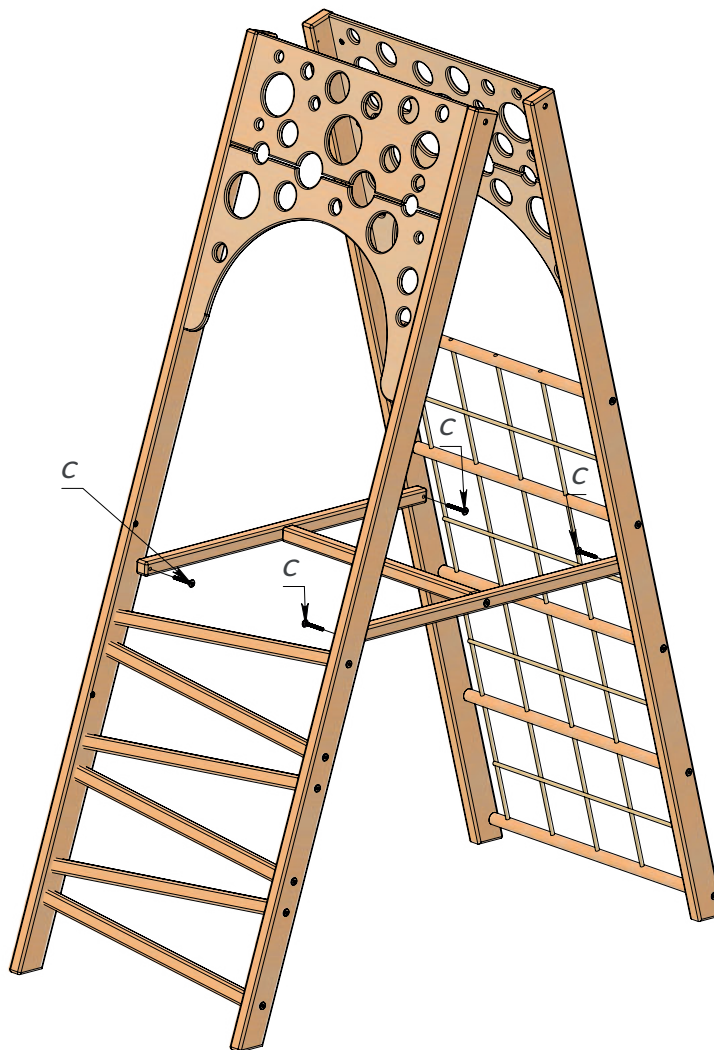
Pic. 6

Install the sidewalls (19, 21) between the stands (2, 4) and close the eccentric ties (e) clockwise by turning them by 180 degrees. Then attach the rope ladder (24) with the screws (b) and hex key (g). See Pic.6.



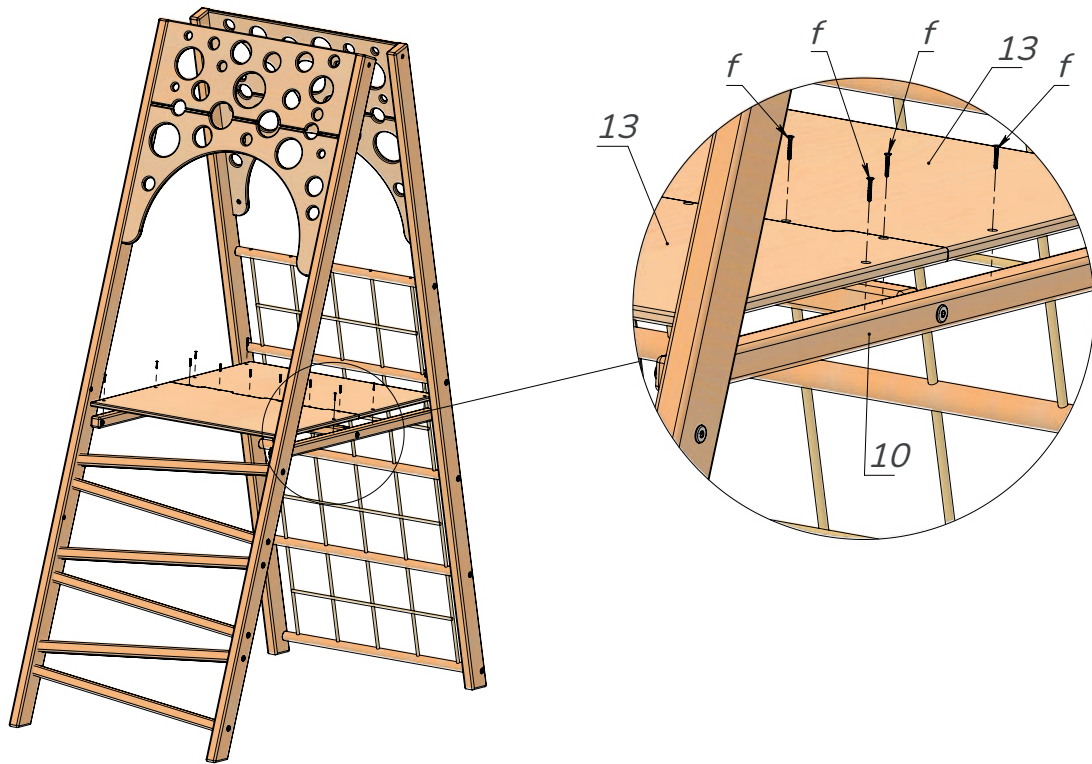
Pic. 7

Take the lintel (11) and using the screws (c) and hex key (g) attach the middle planks (10). See Pic.7.



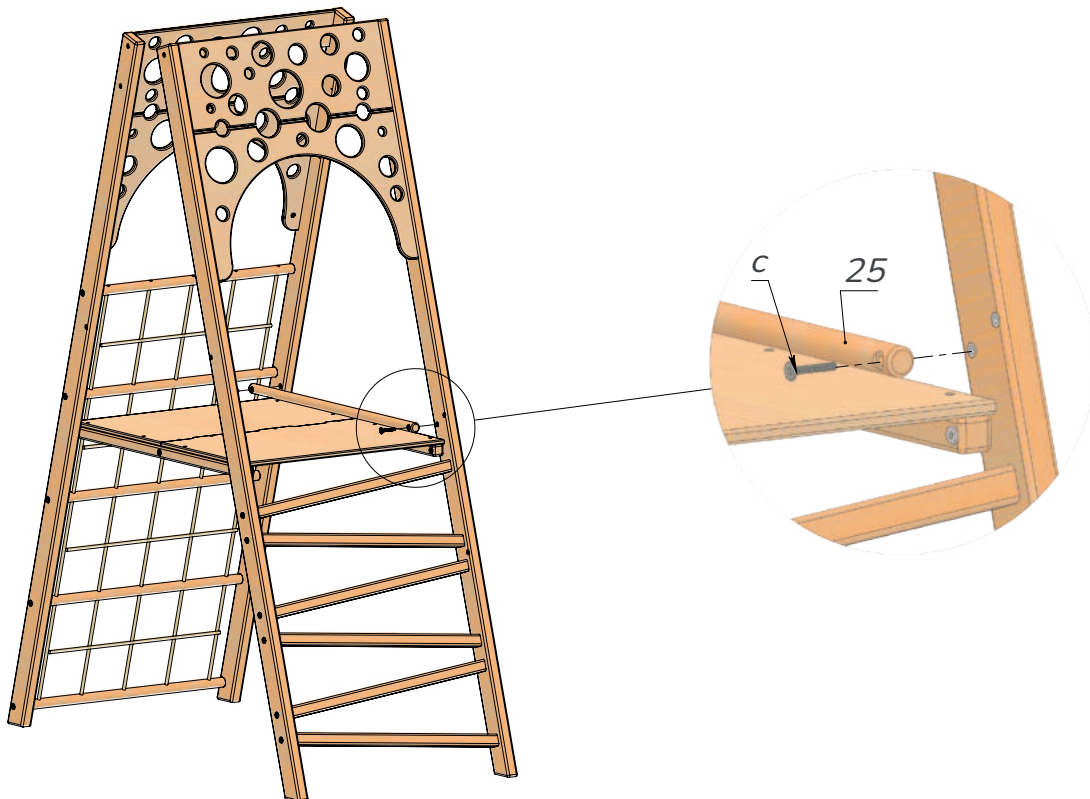
Pic. 8

Attach the semi-products depicted in the Pic.3, Pic.6 and Pic.7 with the help of screws (c) and hex key (g). See Pic.8.



Pic. 9

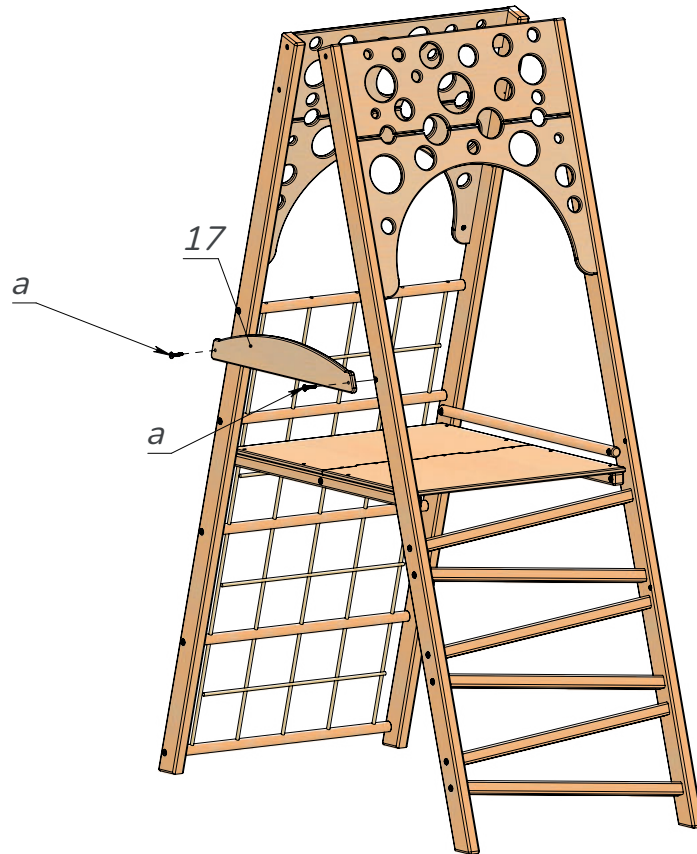
Take the bases (13) and attach them to the middle plank (10) and lintels (11) with the help of self-tapping screws (f) and screwdriver (h). See Pic.9.



Pic. 10

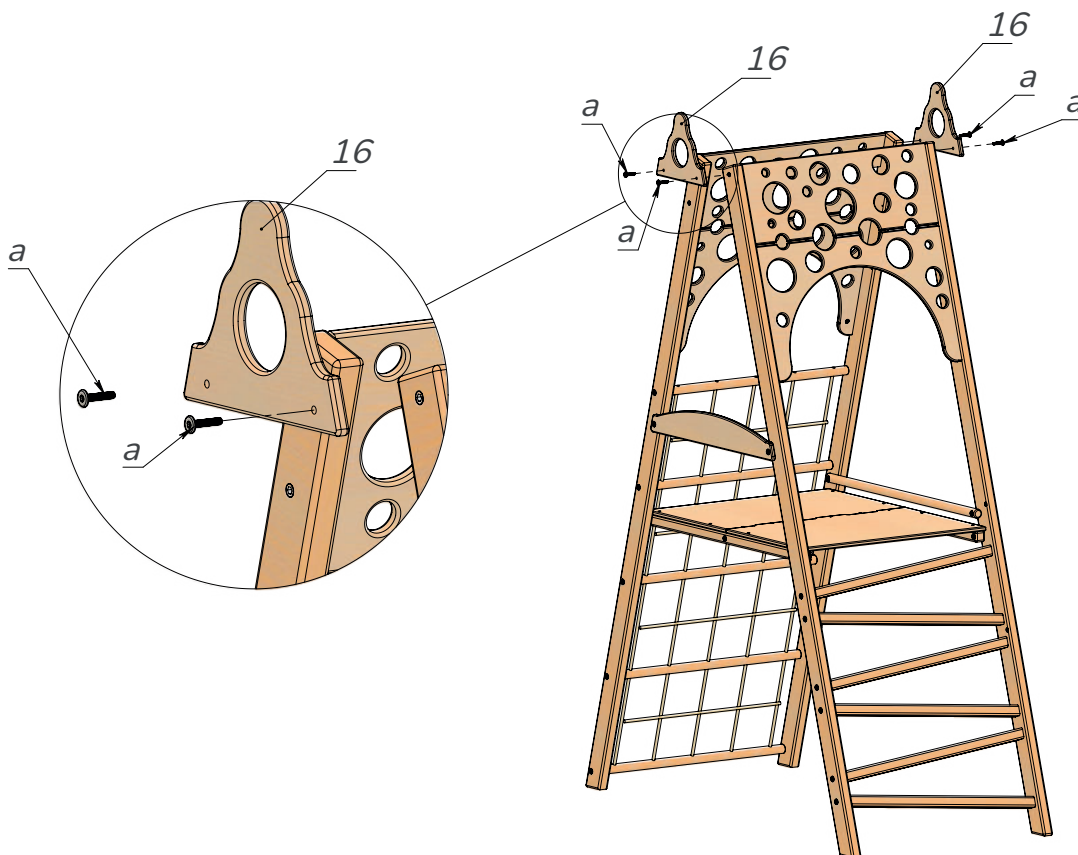
Attach the nog #3 (25) to the received construction with the help of screws (c) and hex key (g). See Pic.10.





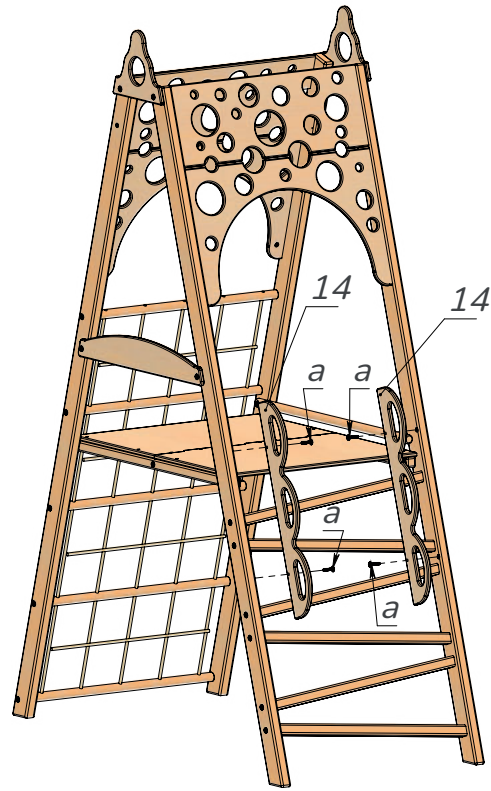
Pic. 11

Attach the back cover (17) to the previously assembled construction with the help of screws (a) and hex key (g). See Pic.11.



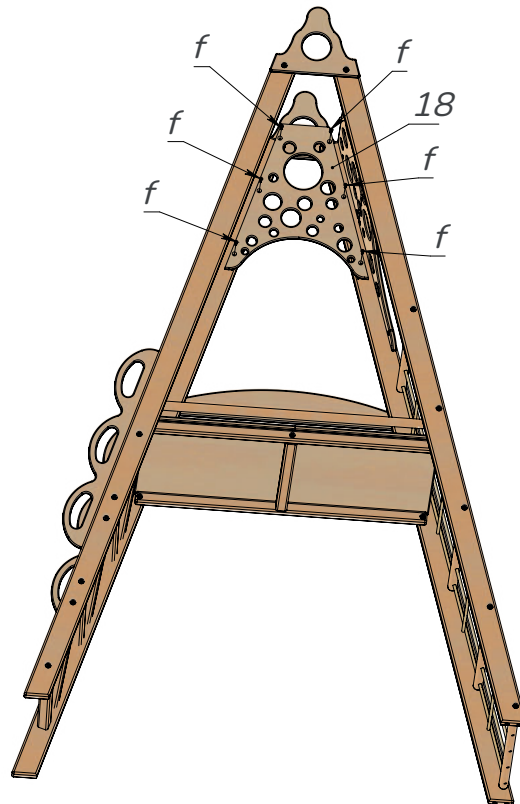
Pic. 12

Attach the upper covers (16) to the received structure with the screws (a) and hex key (g). See Pic.12.



Pic. 13

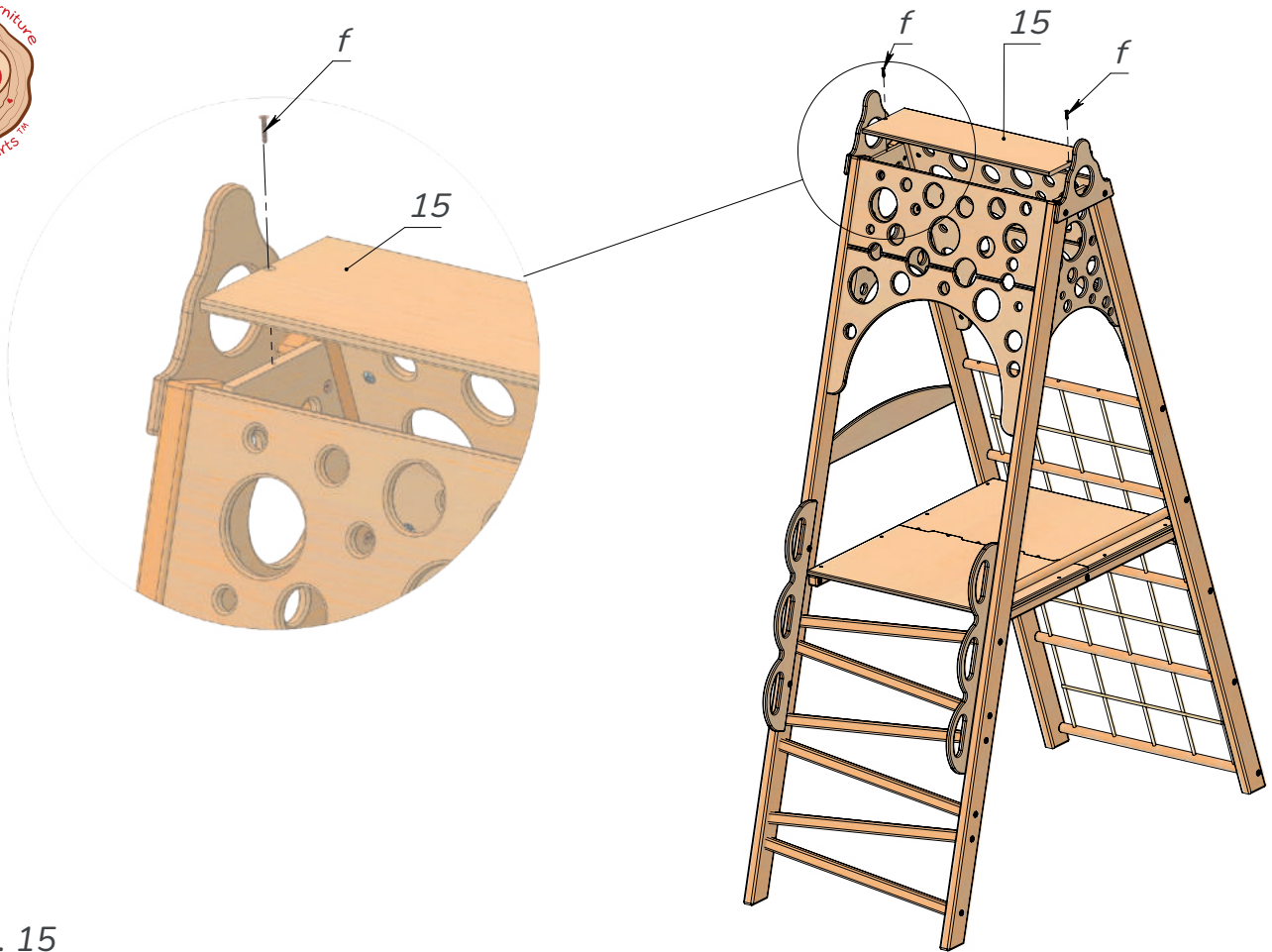
Handles (14) are to be attached to the construction with screws (a) and hex key (g).  
See Pic.13.



Pic. 14

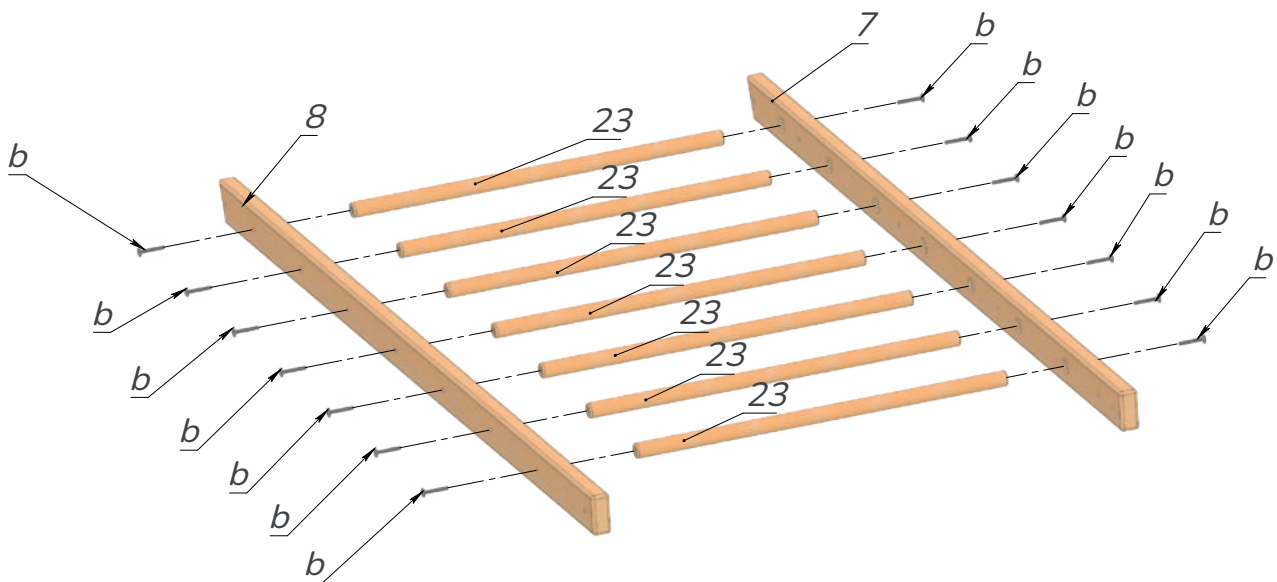
Take self-tapping screws (f) and attach the sidewall #1 (18) with them.  
Attach another one from the opposite side in a same way. See Pic.14.





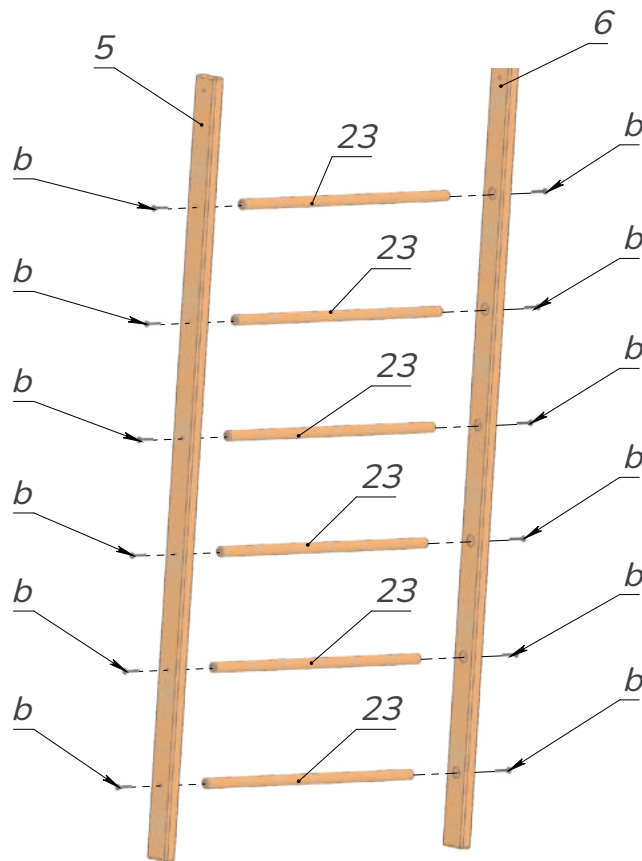
Pic. 15

Take the upper board (15) and attach it to the assembled construction with self-tapping screws (f) and screwdriver (h). See Pic.15.



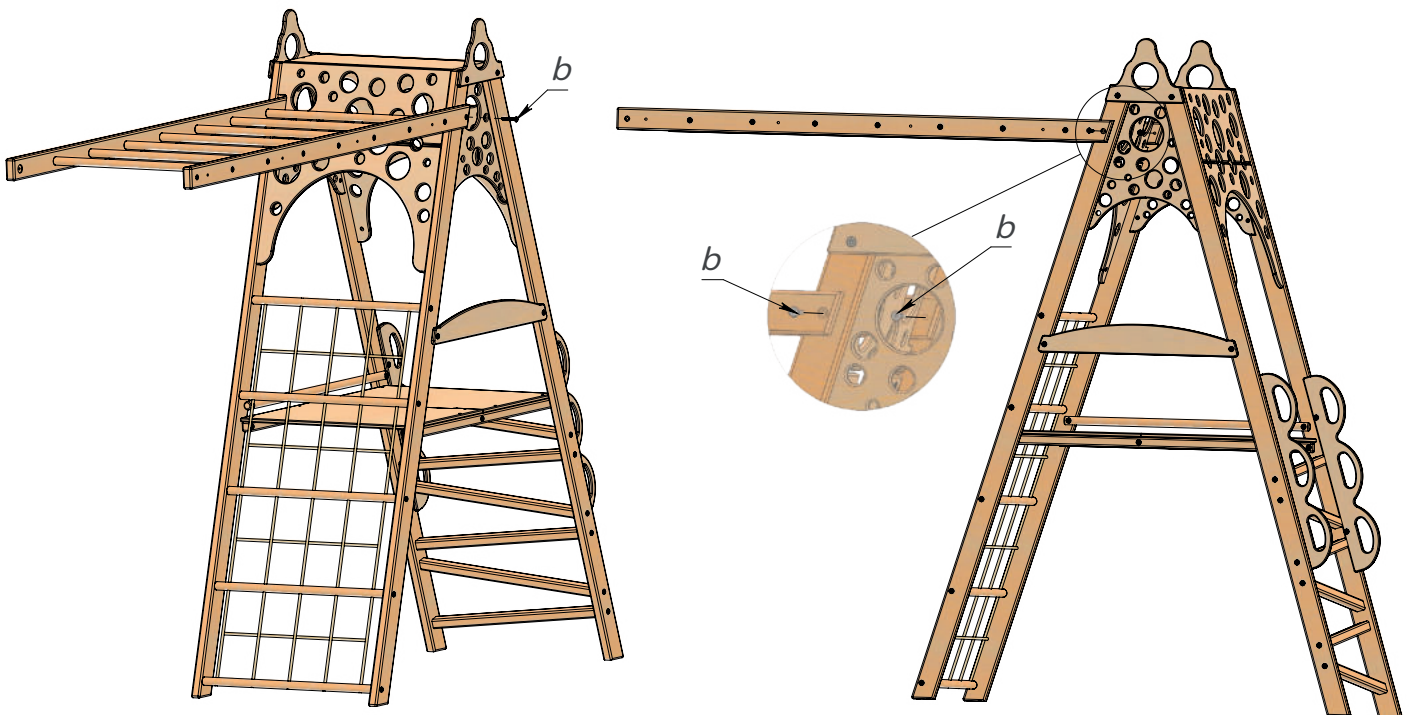
Pic. 16

Take 7 nogs (23) and attach them one by one to the back and front upper planks (7, 8) with the screws (b) and hex key (g). See Pic.16.



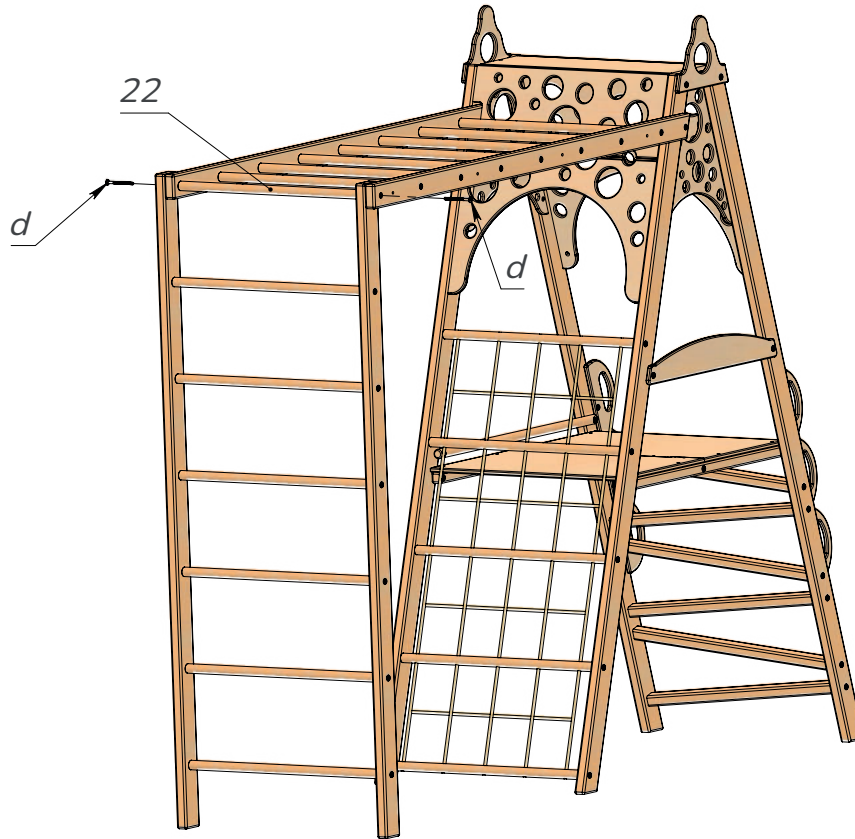
Pic. 17

Take 6 nogs (23) and attach them one by one to the stands (5,6) with the screws (b) and hex key (g). See Pic.17.



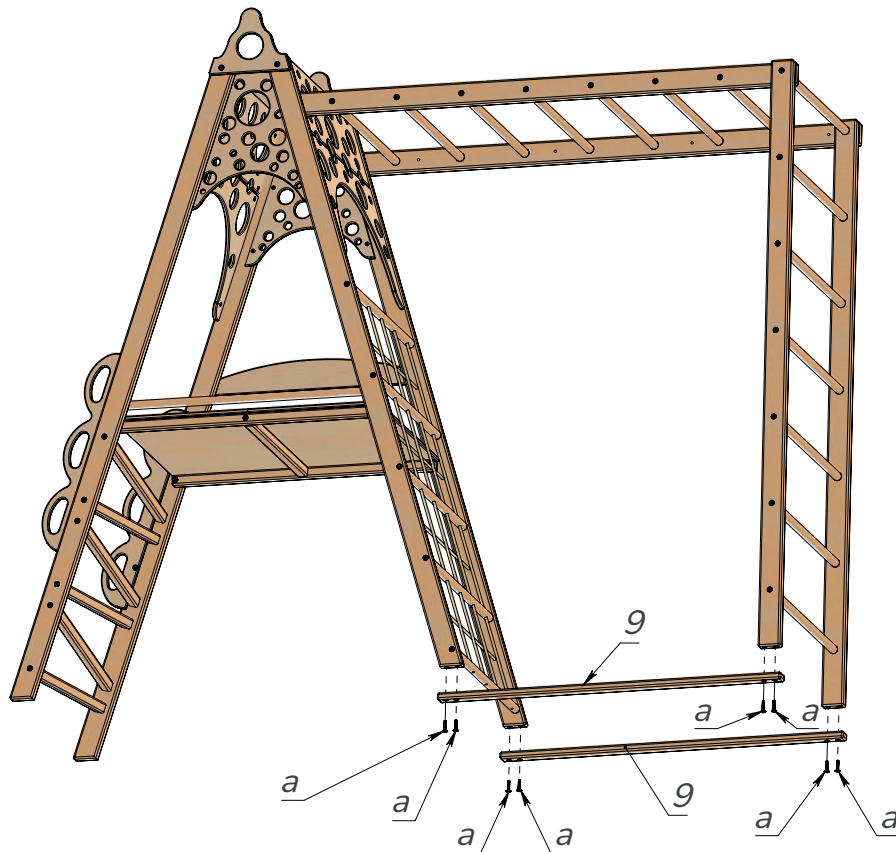
Pic. 18

Join the constructions depicted in the Pic. 15 and Pic.16 with the help of screws (b) and hex key (g). See Pic.18.



Pic. 19

Attach the semi-product shown in the Pic.17 to the previously assembled construction. Before that, install the nog (22) with the screw (d) and hex key (g). See Pic.19.



Pic. 20

Attach the lower planks (9) to the received structure with the screws (a) and hex key (g). See Pic.20.



## Attachment to the brick or concrete wall



Pic. 21

The ready construction is to be attached to the brick or concrete wall with the help of dowels (i) and self-tapping screws (j). See Pic.21.

## Attachment to the plasterboard wall.



Pic. 22

The ready construction is to be attached only to the wooden or metal profile of the wall with self-tapping screws (j). See Pic.22.



Use only for its intended purpose, indoors, under the direct supervision of adults.

Responsibility for any damage incurred by children during play on the furniture rests with the supervising adults.

Always be vigilant during children's play.