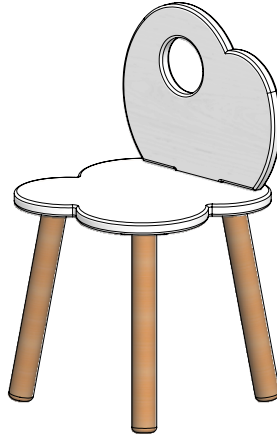
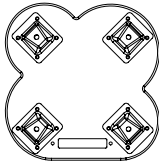
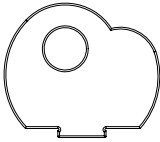
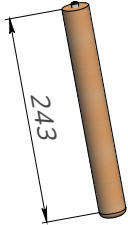

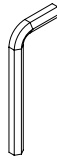
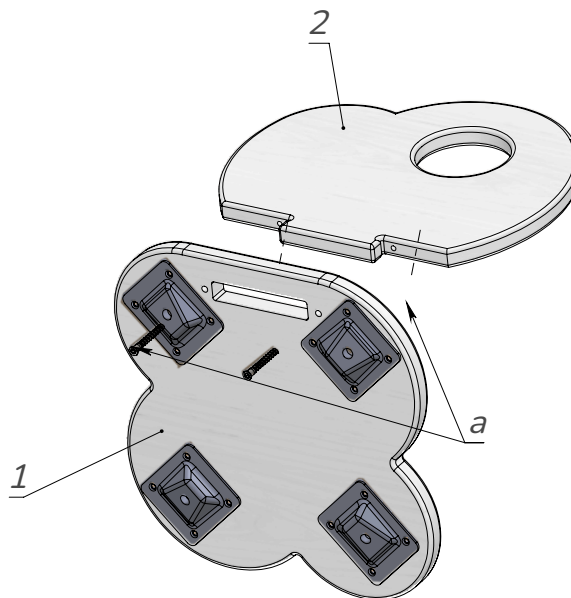


Chair with back "Cloud"



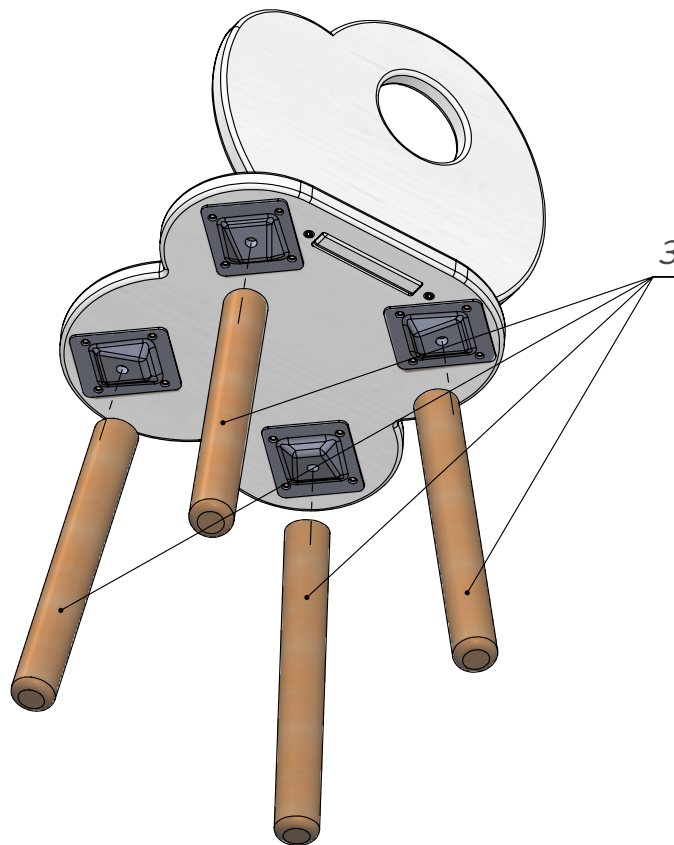
ASSEMBLY DETAILS

<p>1 - Seat</p>  <p>1 pc.</p>	<p>2 - Backrest</p>  <p>1 pc.</p>	<p>3 - Legs</p>  <p>4 pcs.</p>
<p>a - Confirmat screw 5x40</p>  <p>2 pcs.</p>	<p>b - Hex key 3 mm</p>  <p>1 pc.</p>	



Pic. 1

Take the seat (1) and attach it to the back (2) using the confirmation screws (a) and a hex key (b). See Pic. 1.



Pic. 2

Fasten the legs (3) to the assembled construction, rotating them clockwise.
See Pic. 2.



Use only for its intended purpose, indoors, under the direct supervision of adults.

Responsibility for any damage incurred by children during play on the furniture rests with the supervising adults.

Always be vigilant during children's play.