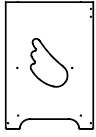
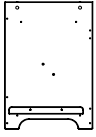

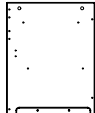
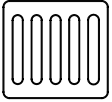
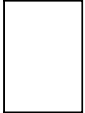
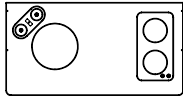
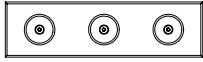
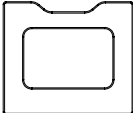
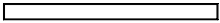



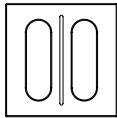
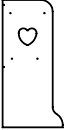

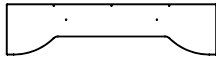


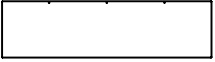

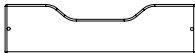
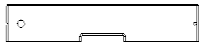
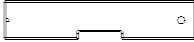

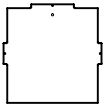

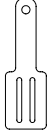
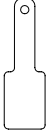
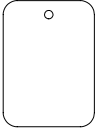

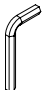


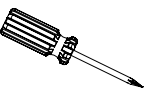

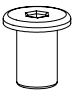
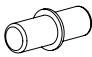

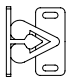
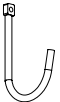
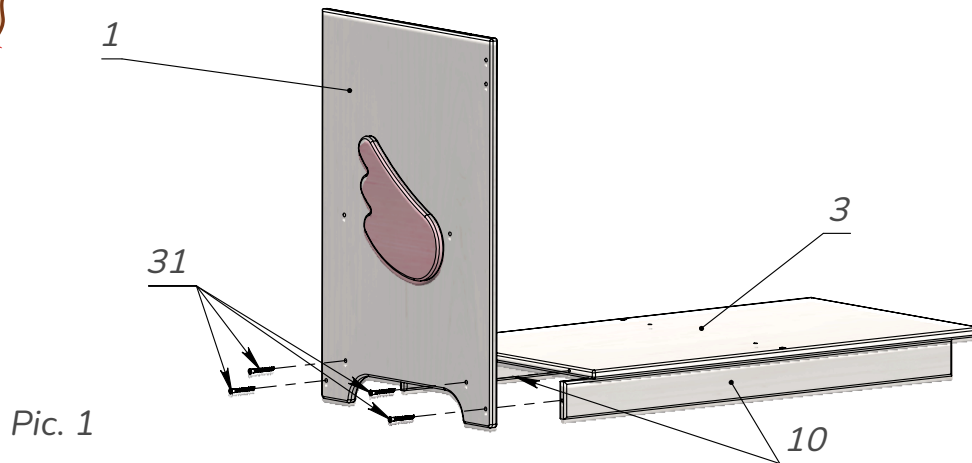


# "Angel" Toy kitchen

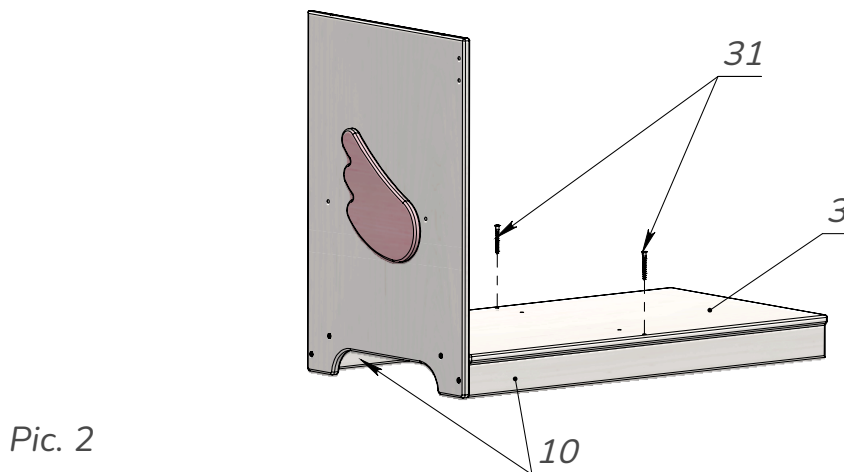


## ASSEMBLY DETAILS

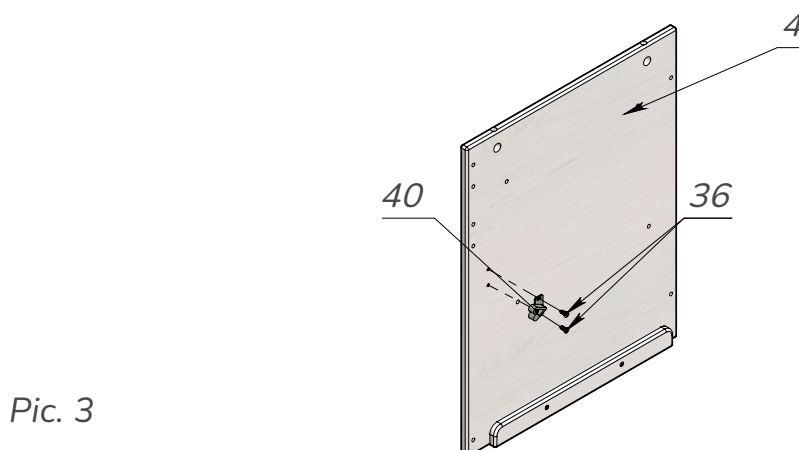
1 - Left sidewall  1 pc.	2 - Right sidewall  1 pc.	3 - Lower base  1 pc.	4 - Lintel  1 pc.	5 - Baking tray  1 pc.	
6 - Back wall  1 pc.	7 - Tabletop  1 pc.	8 - Front panel  1 pc.	9 - Oven door  1 pc.	10 - Rail  2 pcs.	
11 - Sink  1 pc.	12 - Plank  1 pc.	13 - Shelf  1 pc.	14 - Guide rail  1 pc.	15 - Upper sidewall  2 pcs.	
16 - Plank for hooks  1 pc.	17 - Upper shelf  1 pc.	118 - Upper back wall  1 pc.	19 - Upper side lintel  2 pcs.	20 - Upper cover  1 pc.	
21 - Decorative plank  1 pc.	22 - Facade of the drawer  1 pc.	23 - Left sidewall of the drawer  1 pc.	24 - Right sidewall of the drawer  1 pc.	26 - Back plank of the drawer  1 pc.	
26 - Lower plank of the drawer  1 pc.	27 - Faucet  1 pc.	28 - Spatula with cutouts  1 pc.	29 - Spatula  1 pc.	30 - Chopping board  1 pc.	
31 - Confirmat screw 5x40  64 pcs.	32 - 3 mm hex key  1 pc.	33 - 4 mm hex key  2 pcs.	34 - Set of minifixes  8 pc	35 - Screwdriver  1 pc.	
36 - Self-tapping screws 2,5x12  7 pcs.	37 - Erickson nut  1 pc.	38 - Shelf holder  2 pcs.	39 - Flat head screw M6x20  1 pc.	40 - Plastic lock  1 pc.	41 - Hook  3 pcs.



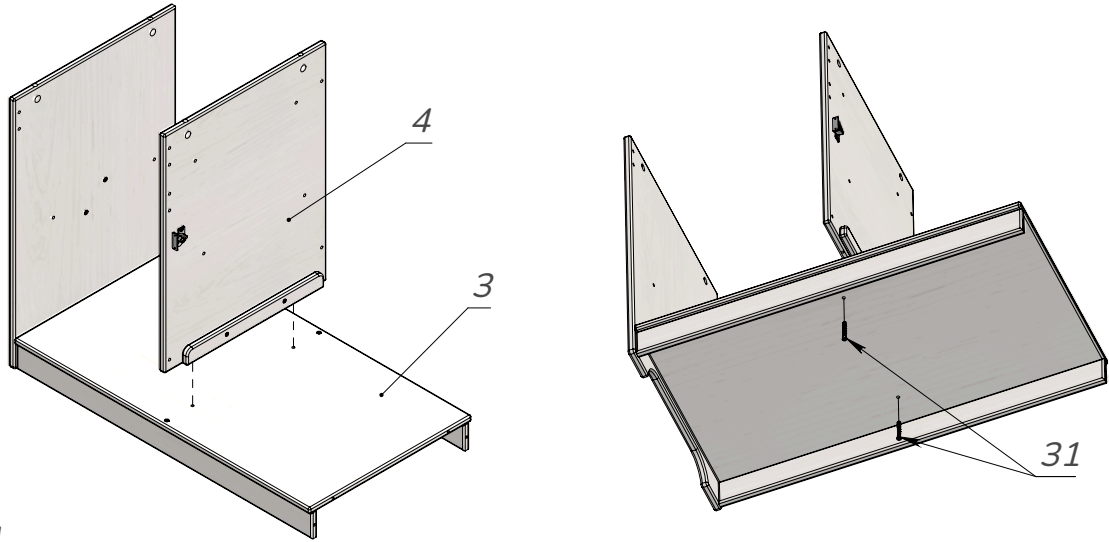
Take the left sidewall (1) and using the confirmat screws (31) and a hex key (32) attach the lower base (3) and a rail (10). See Pic.1.



Attach the lower base (3) to the rail (10) with the confirmat screws (31). See Pic.2.

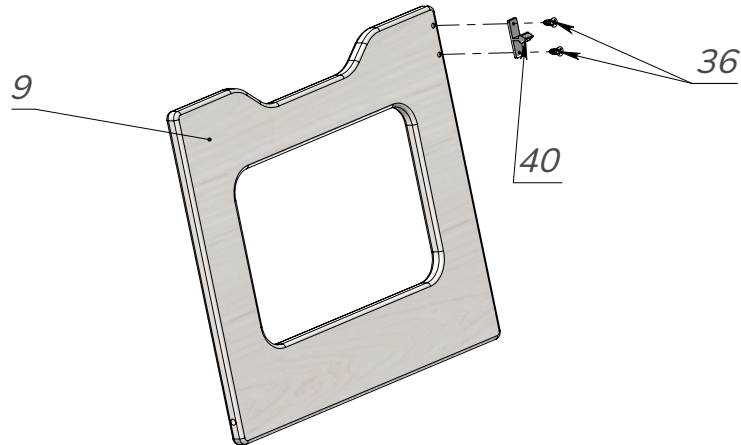


Take the lintel (4) and using the self-tapping screws (36) and a screwdriver (35) attach the lock (40) to it. See Pic.3.



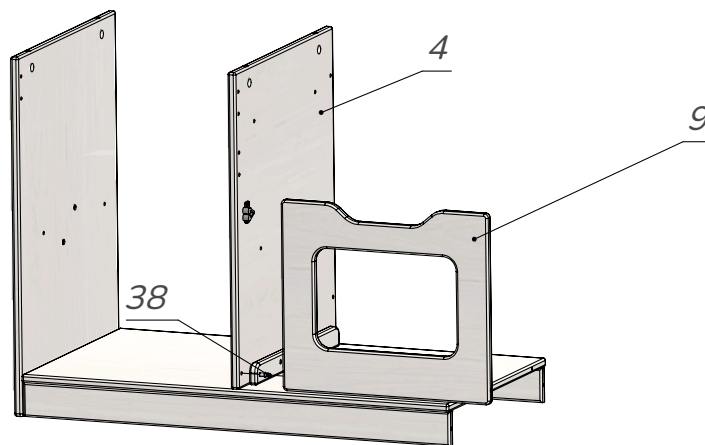
Pic. 4

Attach the lintel (4) to the lower base (3) from beneath using the confirmat screws (31). See Pic.4.



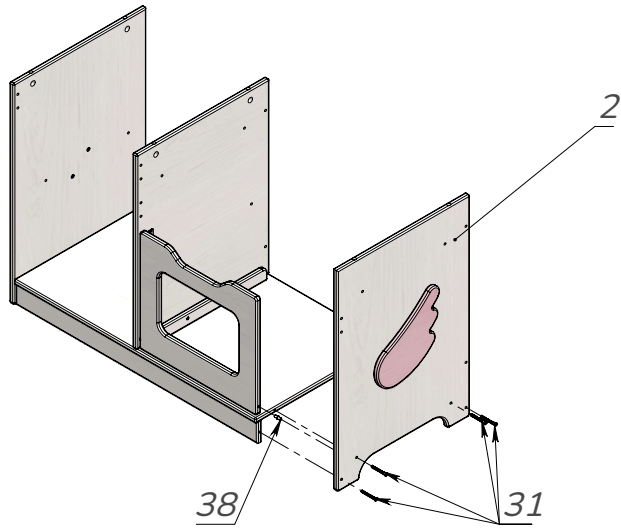
Pic. 5

Take the oven door (9) and attach the lock (4) using self-tapping screws (36). See Pic.5.



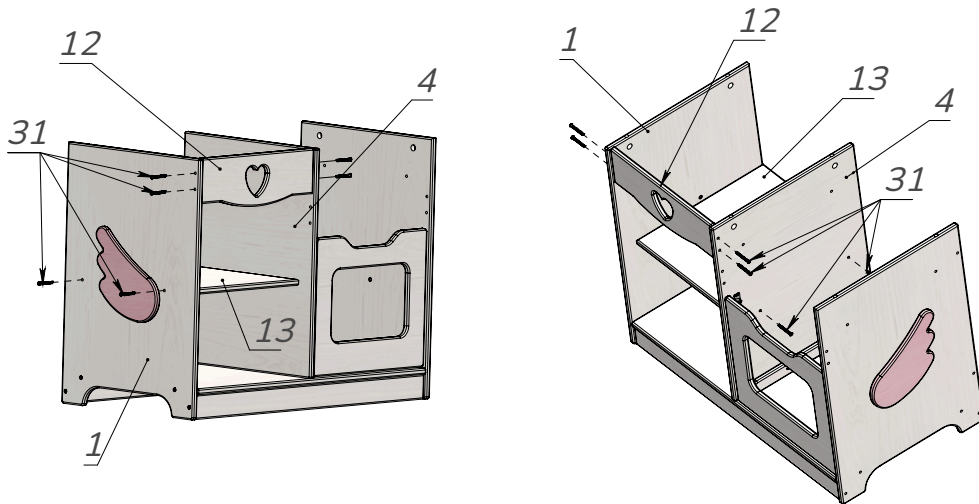
Pic. 6

Install the oven door (9) onto the lintel (4), attaching the shelf holder (38) onto it beforehand. See Pic.6.



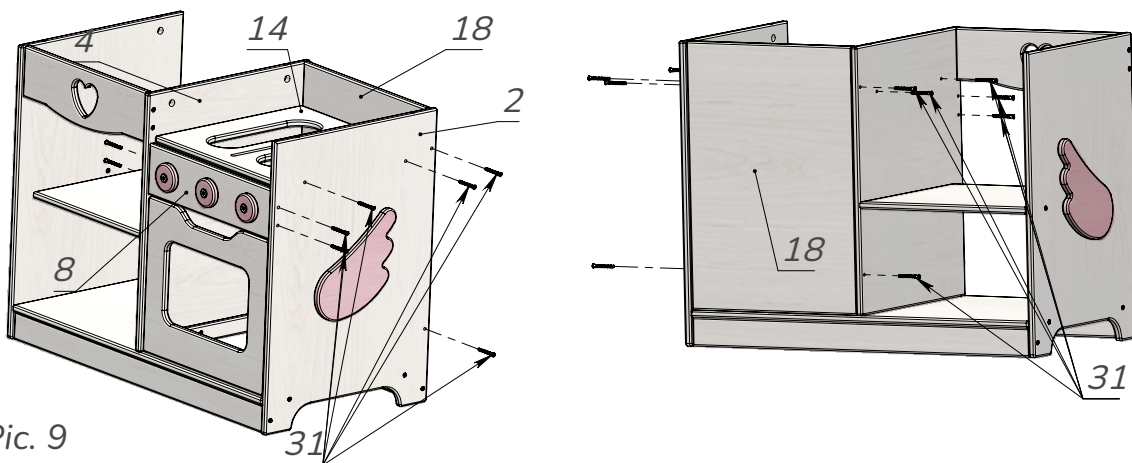
Pic. 7

Install the shelf holder (38) onto the oven door (9). Attach the right sidewall (2) to the previously assembled construction with the confirmat screws (31). See Pic.7.



Pic. 8

Plank (12) and a shelf (13) are to be installed between the left sidewall (1) and a lintel (4) and fixed with the confirmat screws (31). See Pic.8.

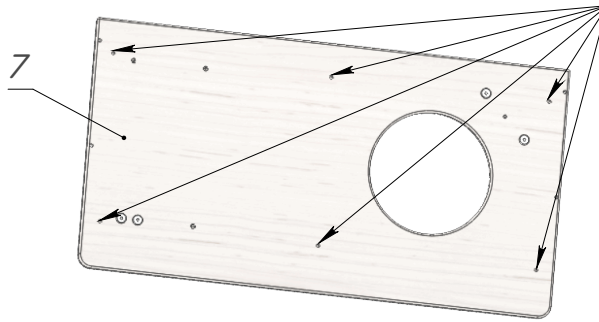


Pic. 9

Install the front panel (8), guide rail (14), and a back wall (18) between right sidewall (2) and a lintel (4) and fix them with the confirmat screws (31). See Pic.9.

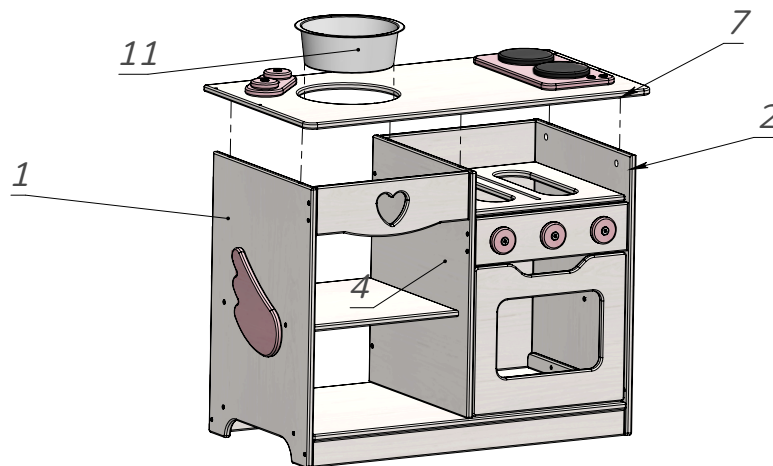


*install the dowels from minifixes (34)*



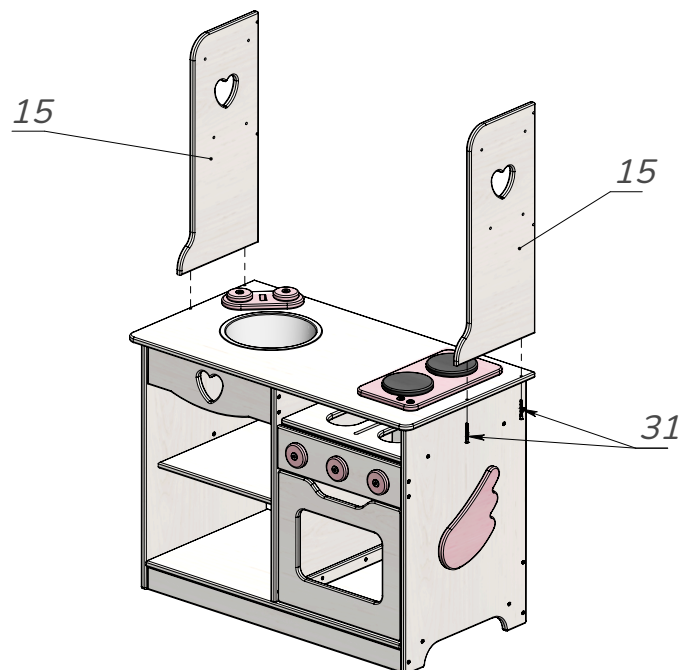
Pic. 10

install the dowels from minifixes (34) into the tabletop (7) using the screwdriver (35). See Pic.10.



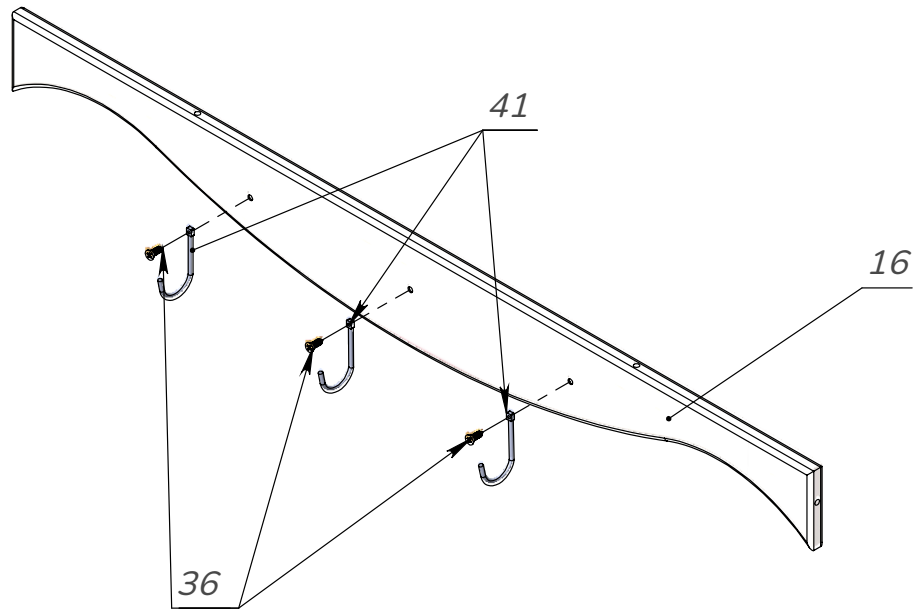
Pic. 11

Install the tabletop (7) onto the previously assembled construction and close the eccentric ties located in the sidewalls (1,2) and a lintel (4) with the help of screwdriver (35) clockwise. See Pic.11.



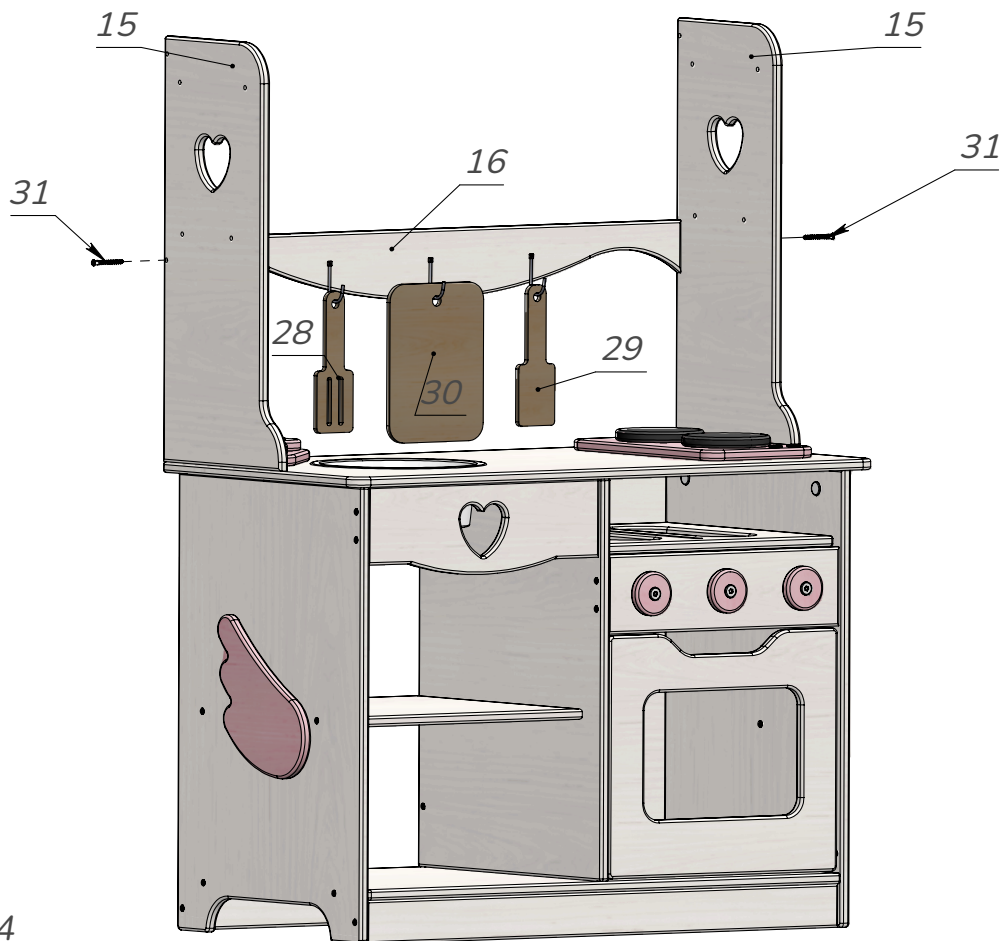
Pic. 12

Attach the upper sidewall (15) to the assembled base with the help of confirmat screws (31) and hex key (32). See Pic.12.



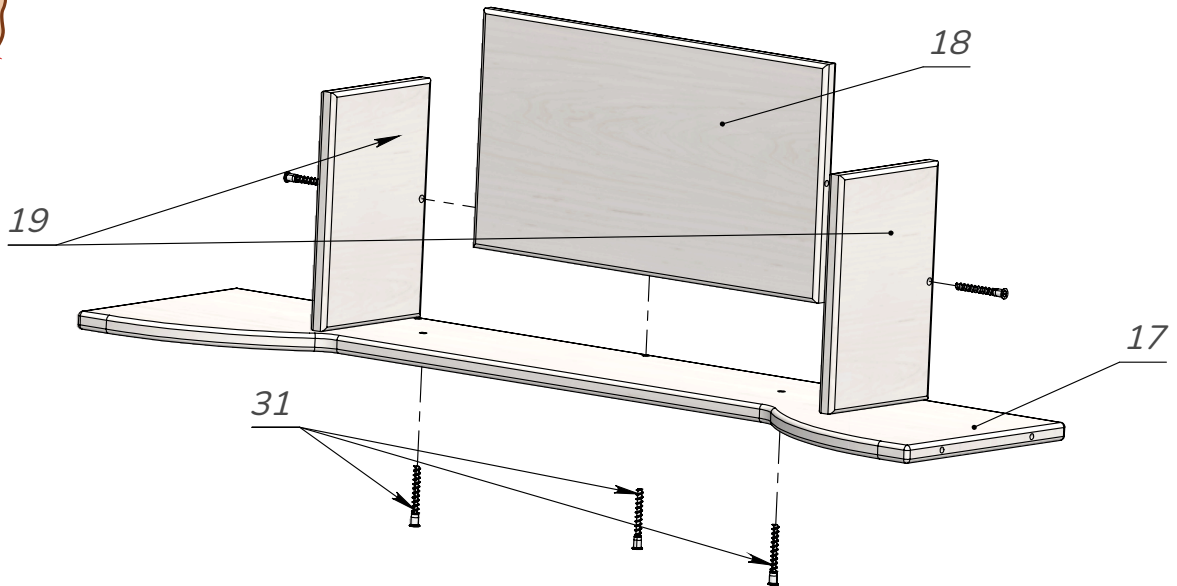
Pic. 13

Hooks (41) are to be attached to the plank for the hooks (16) using self-tapping screws (36) and screwdriver (35). See Pic.13



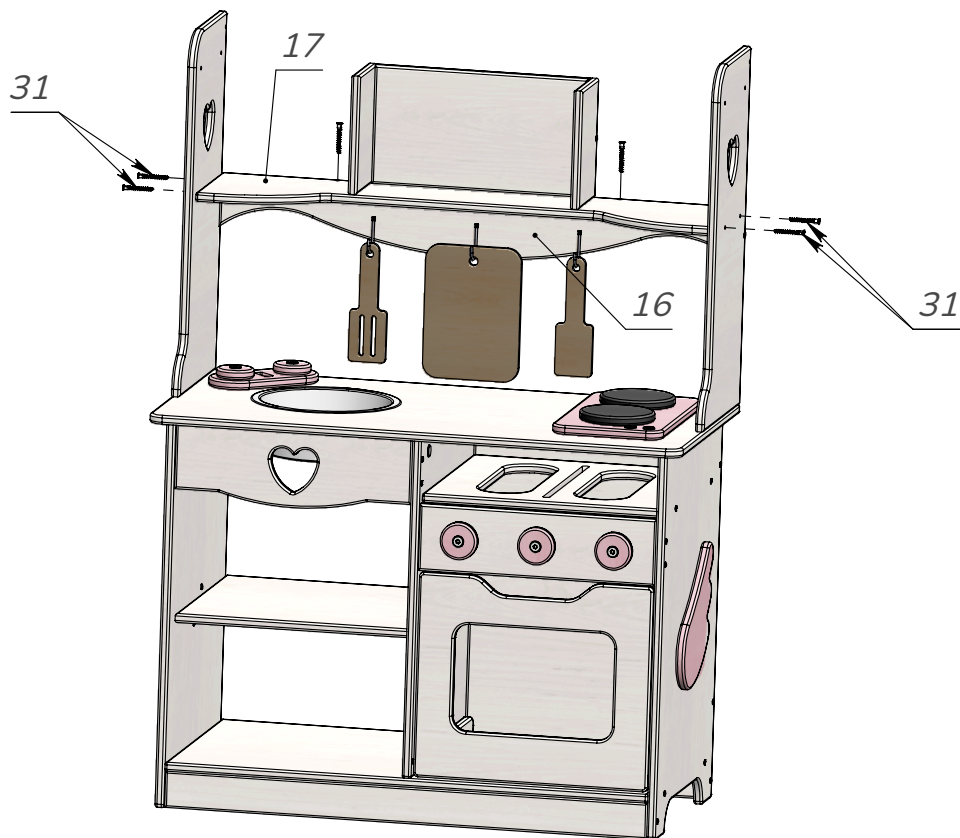
Pic. 14

Install the plank for hooks (16) between the upper sidewalls (15) and fix with the confirmat screws (31). Then hang the accessories (28, 29, 30). See Pic.14.



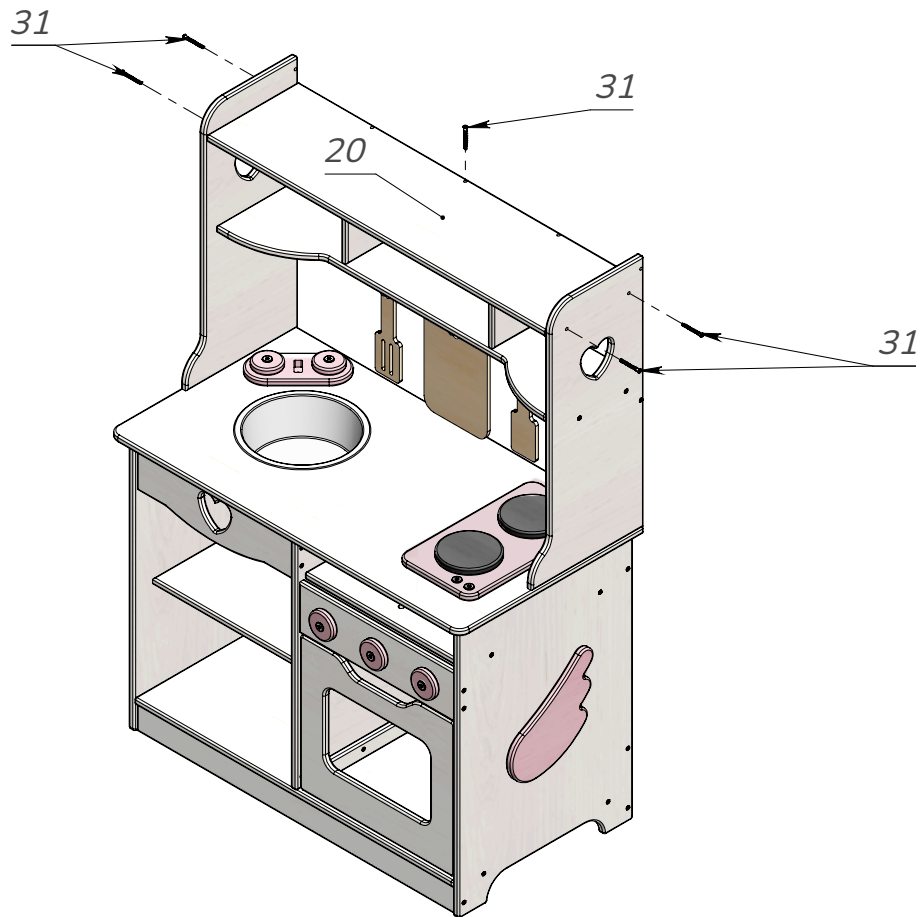
Pic. 15

Take the upper shelf (17) and using the confirmat screws (31) and attach one after another upper back wall (18) and upper side lintel (19). Join them together using the confirmat screws (31). See Pic.15.



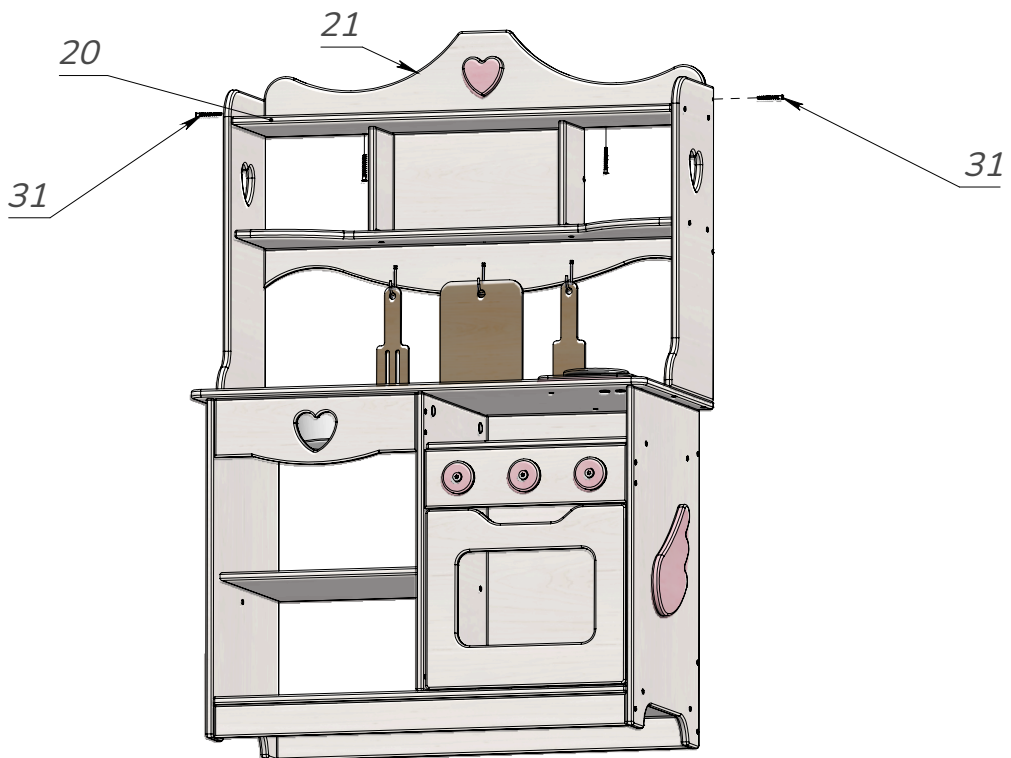
Pic. 16

Install the previously assembled construction onto the plank for the hooks (16) and join them with confirmat screws (31). See Pic.16.



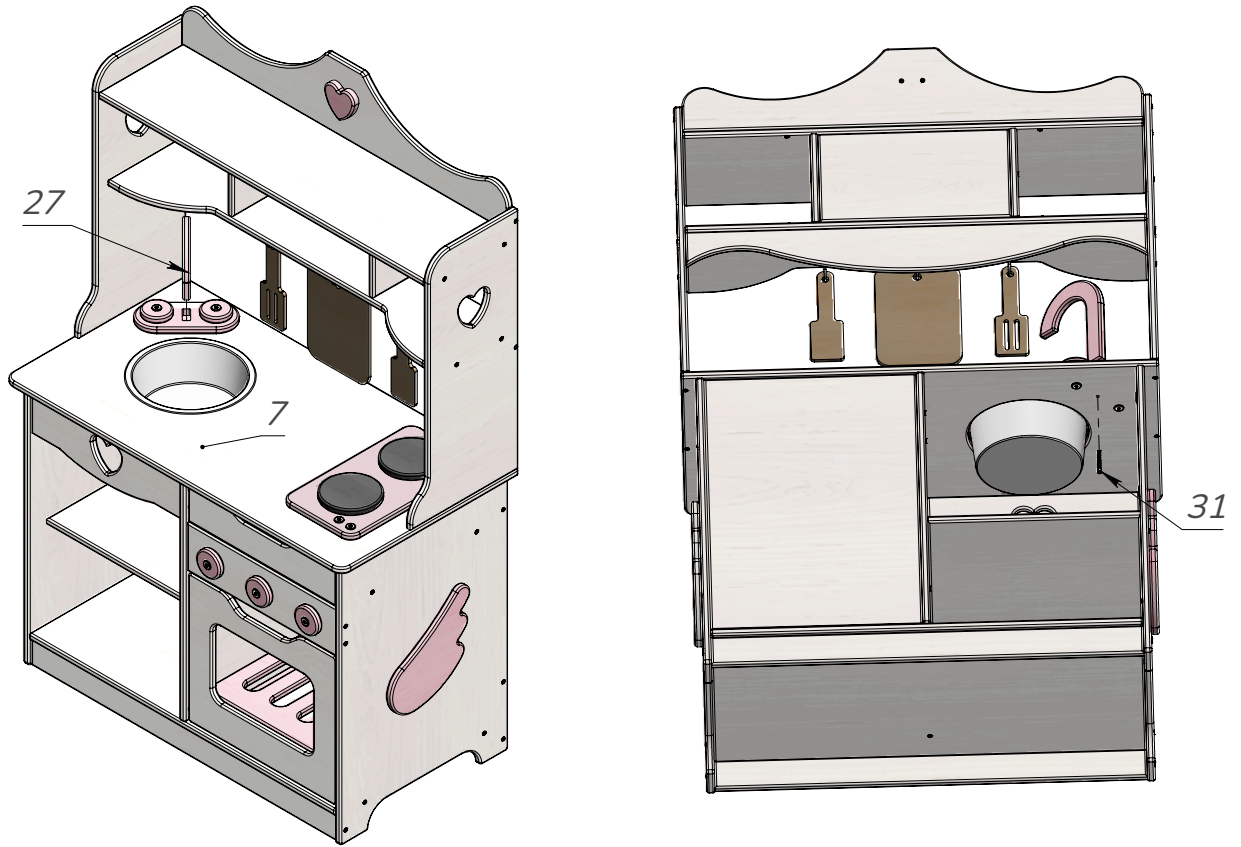
Pic. 17

Install the upper cover (20) onto the received construction and fix it with the confirmat screws (31). See Pic.17.



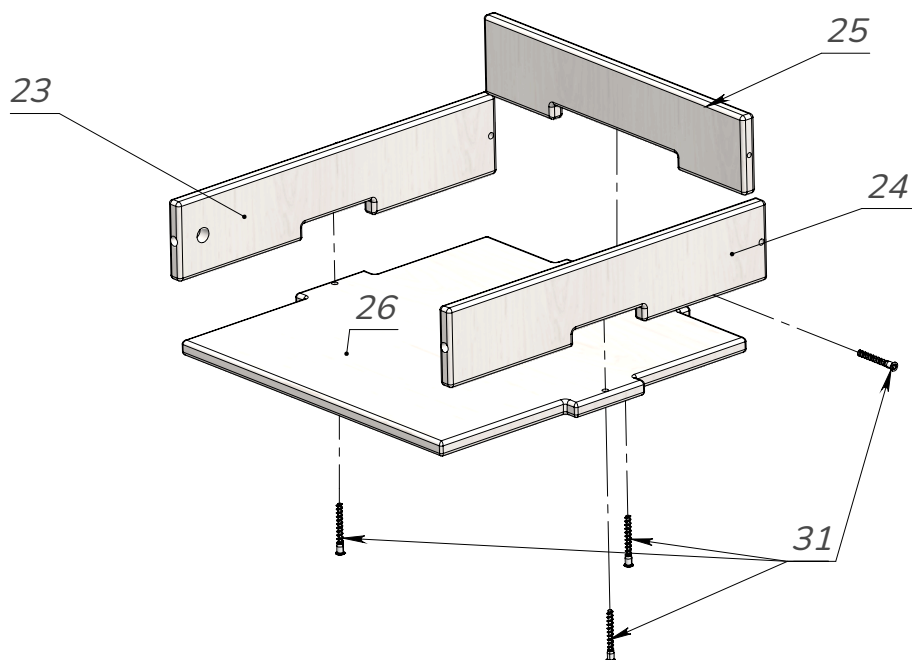
Pic. 18

Install the decorative plank (21) onto the upper cover (20) and attach to the construction with confirmat screws (31). See Pic.18.



Pic. 19

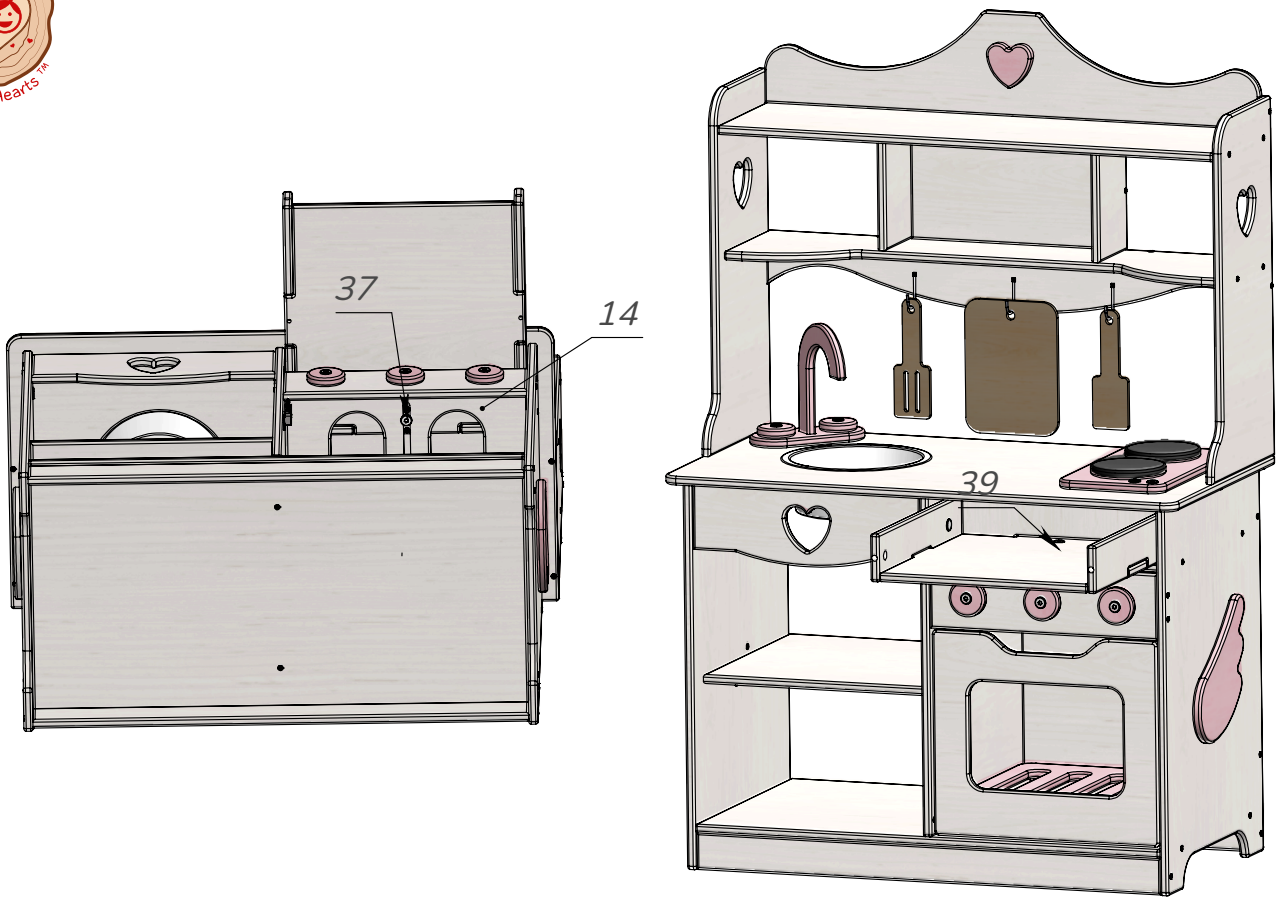
Install the faucet (27) onto the tabletop (7) and attach with the confirmat screw (31) from beneath. See Pic.19.



Pic. 20

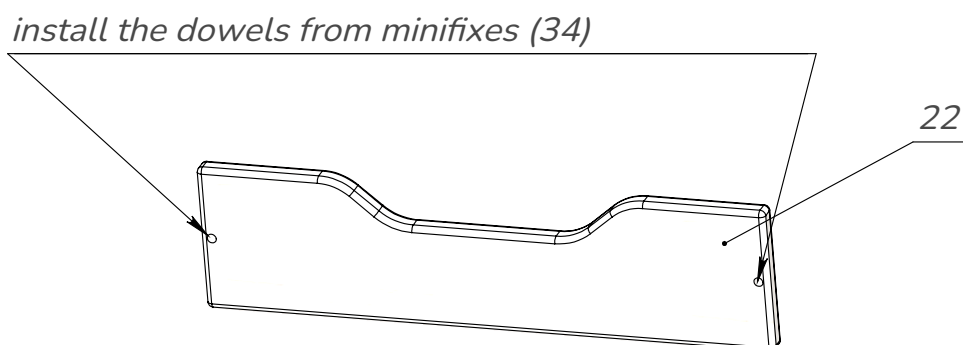
Assemble the drawer: to the lower drawer plank (26) attach the drawer sidewalls (23, 24) and drawer back plank (25) with the confirmat screws (31). Then joining the sidewalls (23, 24, 25) together with confirmat screws (31). See Pic. 20.





Pic. 21

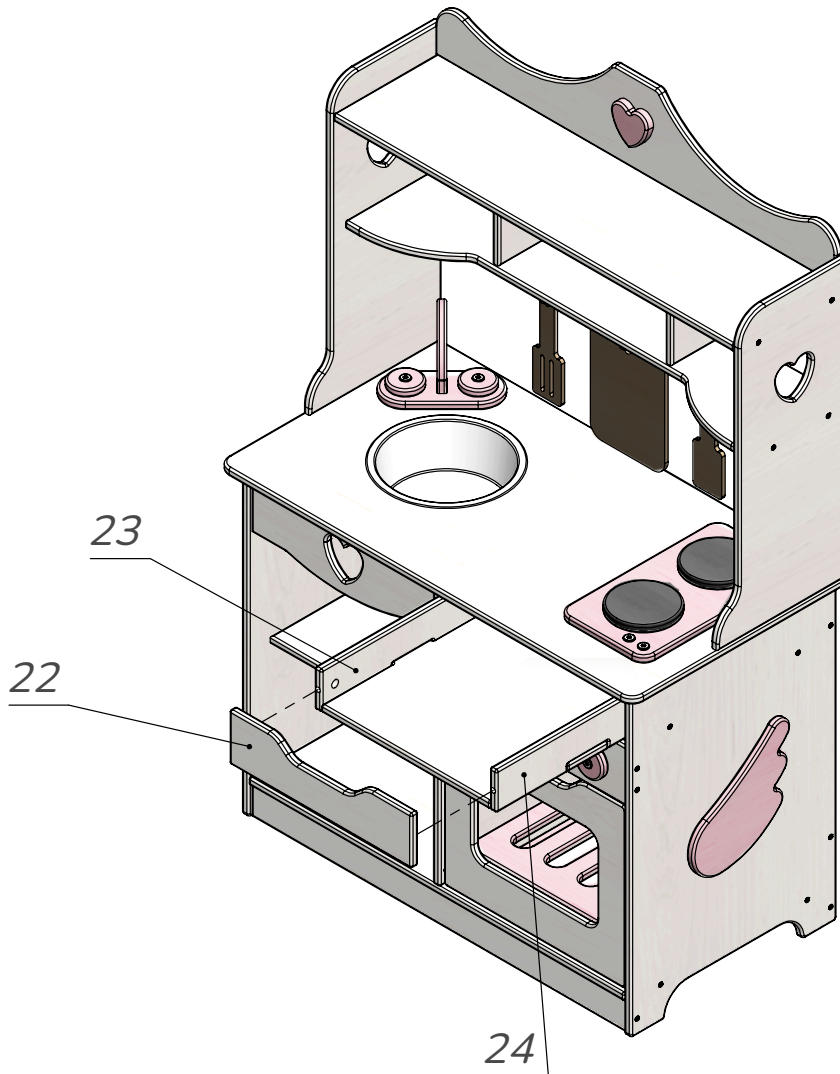
Install the assembled drawer at its place and fix it with the screw (39) from above and with the nut (37) through the lintel (14) from beneath. See Pic.21.



Pic. 22

Install the dowels from minifixes (34) into the drawer facade (22) using the screwdriver (35). See Pic. 22.





Pic. 23

Join the facade of the drawer (22) to the previously assembled construction and close the eccentric ties located in the sidewalls (23, 24) clockwise. See Pic. 23



Use only for its intended purpose, indoors, under the direct supervision of adults.

Responsibility for any damage incurred by children during play on the furniture rests with the supervising adults.

Always be vigilant during children's play.