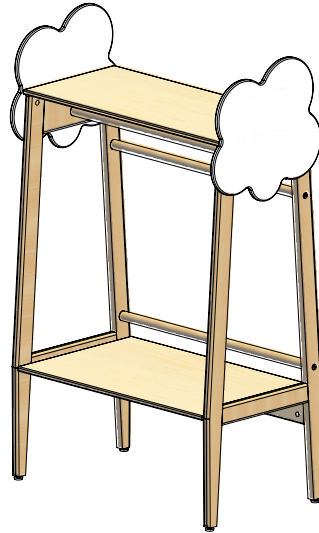


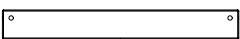
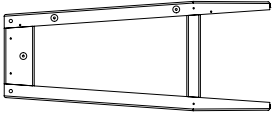
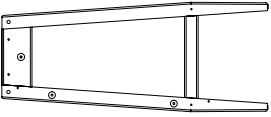
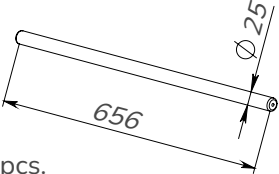
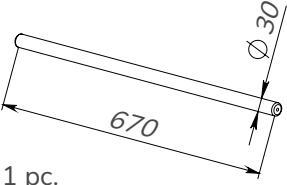
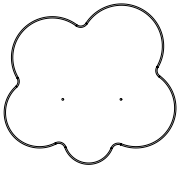
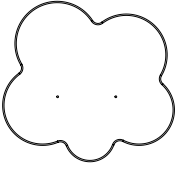





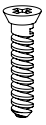

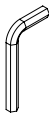
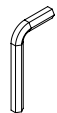



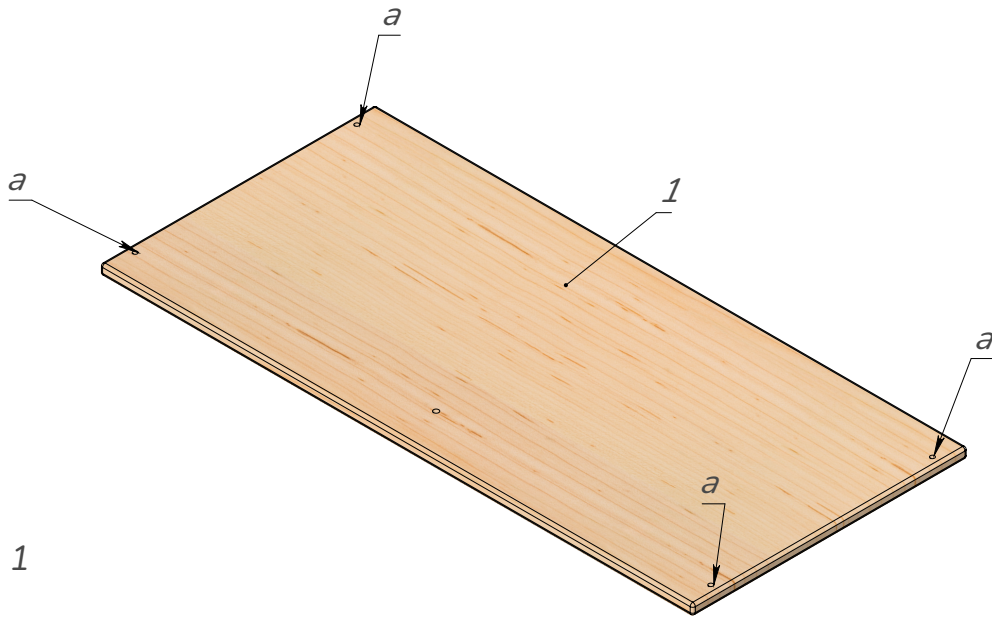
Hanger wardrobe "Cloud"



ASSEMBLY DETAILS

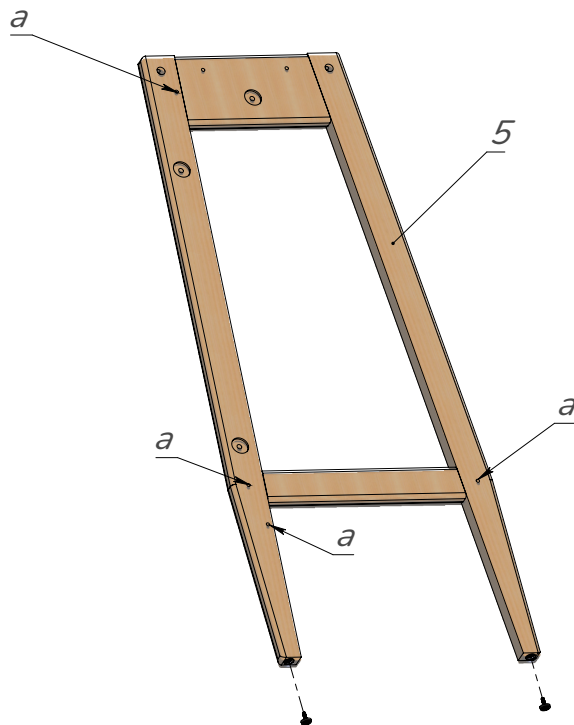
<p>1 - Upper cover</p>  <p>1 pc.</p>	<p>2 - Shelf</p>  <p>1 pc.</p>	<p>3 - Back plank</p>  <p>2 pcs</p>	<p>4 - Left sidewall</p>  <p>1 pc.</p>
<p>5 - Right sidewall</p>  <p>1 pc.</p>	<p>6 - Short nog</p>  <p>2 pcs.</p>	<p>7 - Long nog</p>  <p>1 pc.</p>	<p>8 - Left side decor</p>  <p>1 pc.</p>
<p>9 - Right side decor</p>  <p>1 pc.</p>	<p>a - Mini-fixing dowel</p>  <p>12 pcs.</p>	<p>b - Eccentric clamps*</p>  <p>12 pcs.</p>	<p>c - Adjustable footing</p>  <p>4 pcs.</p>
<p>d - Wooden dowel</p>  <p>2 pcs.</p>	<p>e - Self-tapping screw 6.3x50</p>  <p>4 pcs.</p>	<p>f - Self-tapping screw 4x30</p>  <p>4 pcs.</p>	<p>g - Confirmat screw 5x40</p>  <p>2 pcs.</p>
<p>h - Hex key 4 mm</p>  <p>1 pc.</p>	<p>i - Hex key 3 mm</p>  <p>1 pc.</p>	<p>j - Screwdriver</p>  <p>1 pc.</p>	

* eccentric clamps are already installed into the details



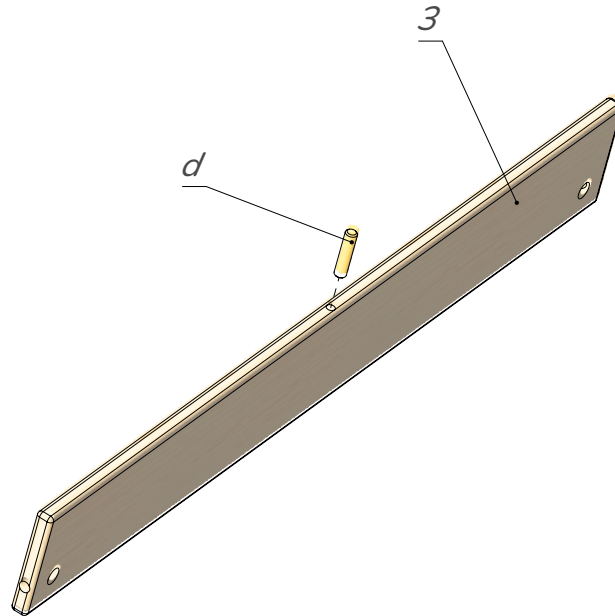
Pic. 1

Take the Screwdriver (j) and screw the mini-fixing dowel (b) into the tabletop (1). See Pic. 1.



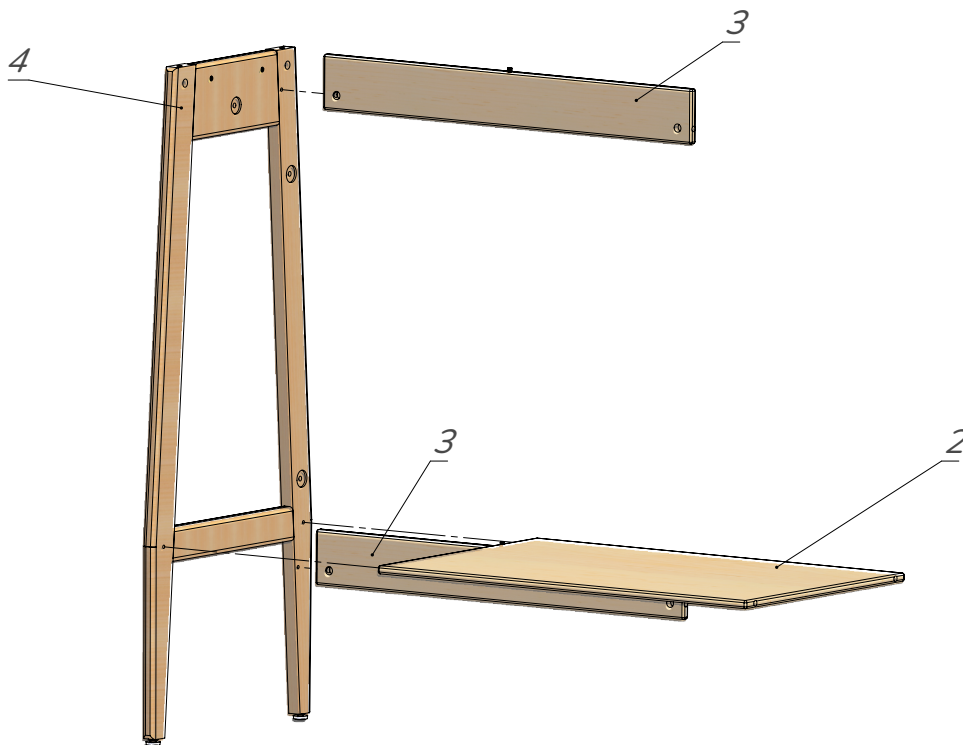
Pic. 2

Take the left (4) and right sidewalls (5). Screw the mini-fixing dowels (a) in using the Screwdriver (j). Then screw the adjustable footing (c) in from beneath. See Pic. 2.



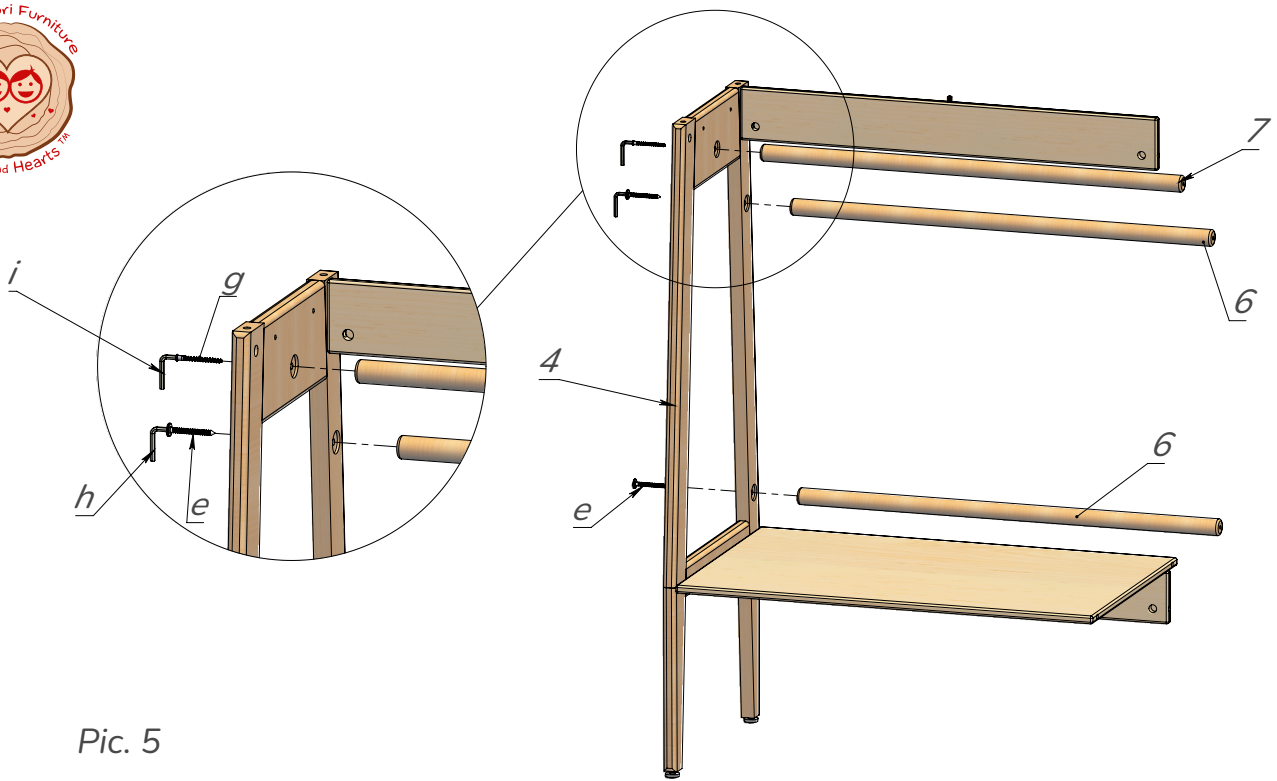
Pic. 3

Install the wooden dowels (d) into the back planks (3). See Pic. 3.



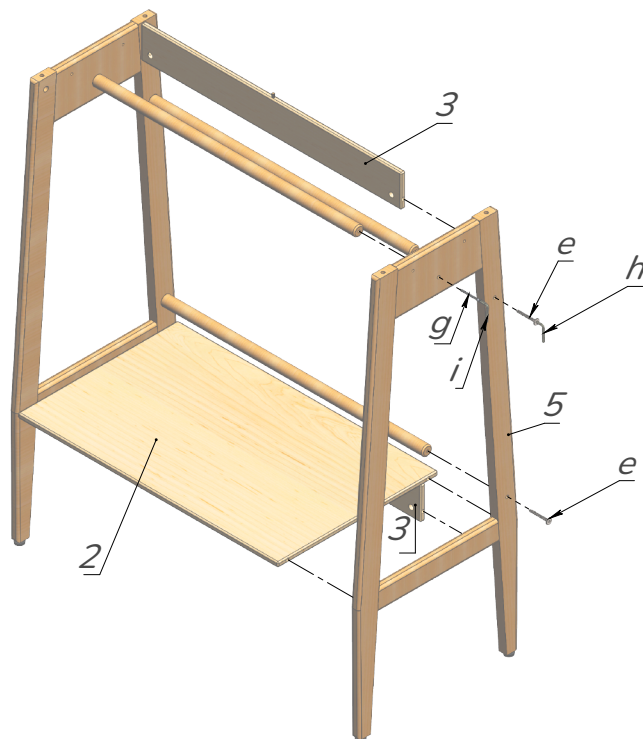
Pic. 4

Take the left sidewall (4) and connect the shelf (2) and back plank (3) using the mini-fixing dowels (a). Then close the eccentric clamps (b) located at the shelf (2) and back plank (3) with the help of screwdriver (j) clockwise, rotating it by 180 degrees. See Pic. 4.



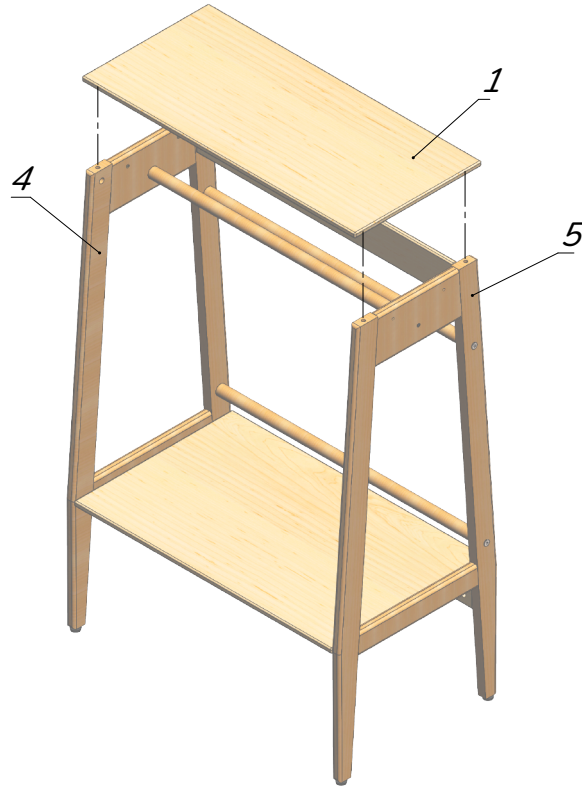
Pic. 5

Screw the short nogs (6) to the left sidewall (4) with the help of self-tapping screws (e) and hex key (h). Then, using the confirmat screws (g) and another hex key (i), connect the long nog (7). See Pic. 5.



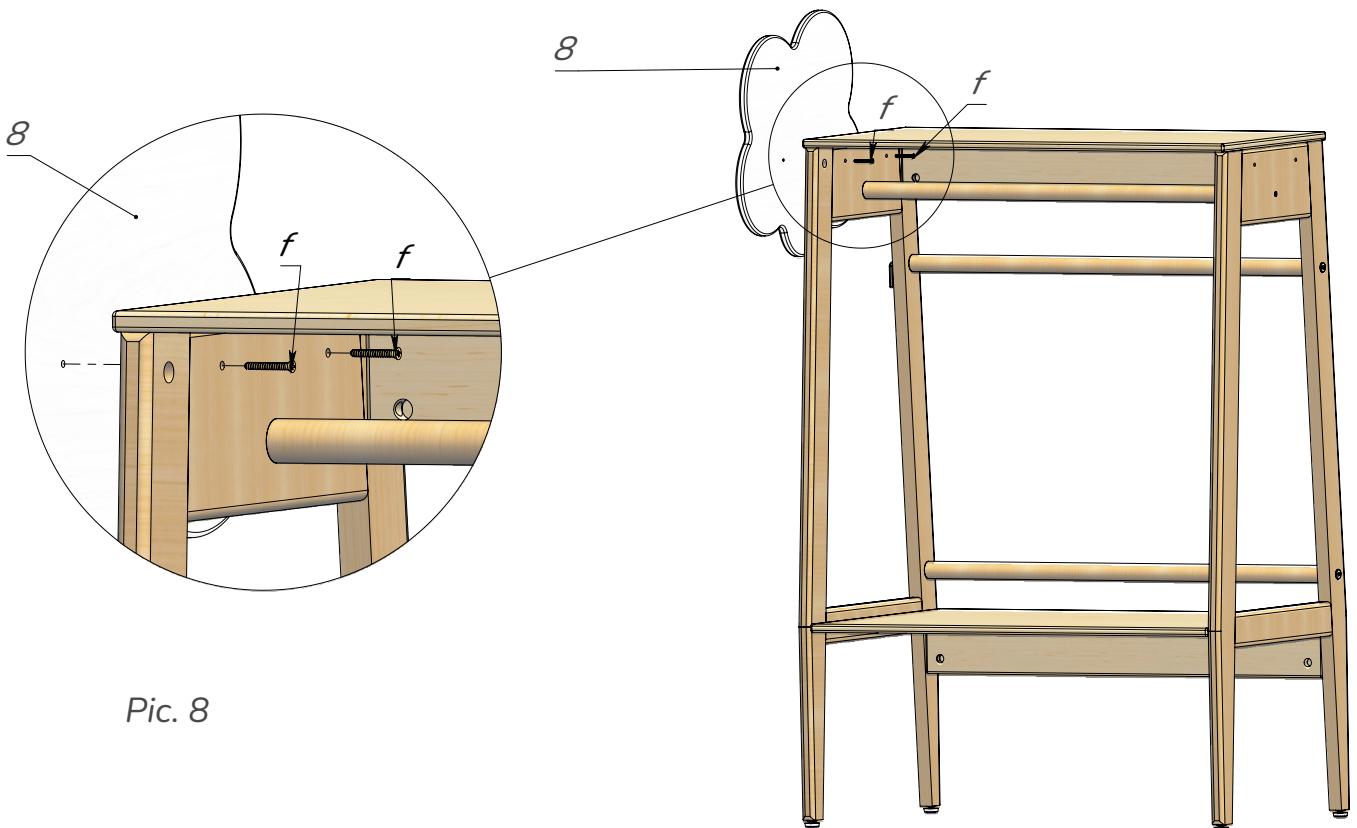
Pic. 6

Connect the right sidewall (5) to the previously assembled construction and close the eccentric clamps (b) located at the shelf (2) and back plank (3) with the help of screwdriver (j) clockwise, rotating it by 180 degrees. Then screw the self-tapping screws (e) in, using the 4mm hex key (h), and the confirmat screws (g) - with 3 mm hex key (i). See Pic. 6.



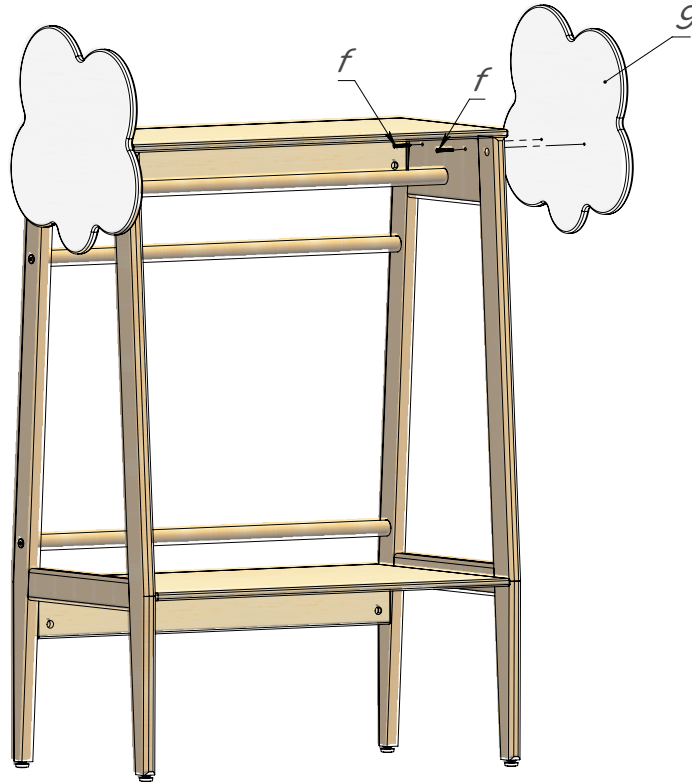
Pic. 7

Install the upper cover (1) onto the assembled construction and close the eccentric clamps (b) located at the sidewalls (4, 5), using the screwdriver (j) clockwise, rotating it by 180 degrees. See Pic. 7.



Pic. 8

Attach the decor from the left side (8) using the self-tapping screws (f) and a screwdriver (j). See Pic. 8.



Pic. 9

Attach the decor from the right side (9) in a same way, using the self-tapping screws (f) and a screwdriver (j). See Pic. 9.



To be used for its intended purpose only and under the direct supervision of an adult!

All the responsibility for children's injuries received during games on the furniture lies on adults watching after them.

Always be vigilant during children's games!