

## Specification Sheet

# WaterUps® Oasis 1680 Wicking Bed

14050PEUC  
14080SG/SG  
14070WALL  
14040WOOD

**Go to the product page**

You can go to the product page on our website using the link or the QR code below.

[Product Page](#) 



## Description

The WaterUps® Oasis 1680 Wicking Bed is Australian designed for those gardeners looking for a deeper bed to grow larger plants. They are manufactured from COLORBOND® steel and include top and bottom capping rails for greater wall strength.

The design also includes diecast bevelled corners to eliminate sharp edges. This makes the the WaterUps® Oasis 1680 Wicking Bed perfect for schools and Early Learning Centres.

The bed only needs watering once every two or three weeks as no water is lost through evaporation. Just add perlite, potting mix, compost, and your plants.

## Colours available

SKU: 14050PEUC - Pale Eucalypt

SKU: 14080SG/SG - Shale Grey

SKU: 14070WALL - Wallaby

SKU: 14040WOOD - Woodland Grey

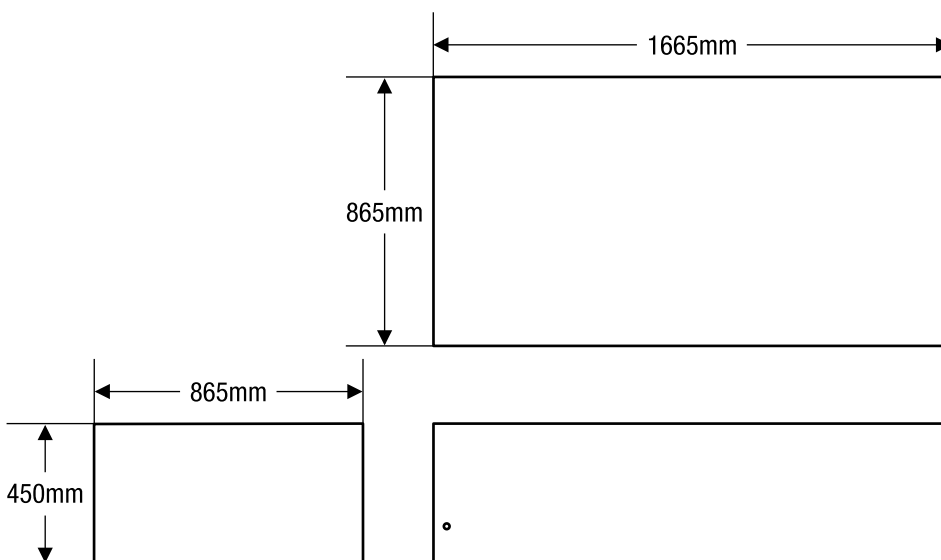
## Contents

The WaterUps® 1680 Wicking Bed Kit contains the following:

- 1 x WaterUps® Oasis 1680 Wicking Bed;
- 1 x WaterUps® 1680 Reservoir Liner;
- 8 x WaterUps® Wicking Cells;
- 1 x WaterUps® Inlet Pipe and Cap;
- 1 x WaterUps® Long Overflow Pipe; and
- 1 x Assembly guide.

## Specifications

|  |  |
|--|--|
| Material - Oasis 1680 Wicking Bed:     | COLORBOND® steel   |
| Material - Oasis 1680 Reservoir Liner: | 0.38mm Black Jetco Promeg Ecorange 100% recycled Polypropylene |
| Material - WaterUps® System Products:  | Recycled Polypropylene   |
| Country of manufacture:                | Australia  |
| External dimensions:                   | 1665mm L x 865mm W x 450mm H                                   |
| Colour - Oasis 1680 Reservoir Liner:   | Black  |
| Colour - WaterUps® System products:    | Black  |
| Weight:                                | 24.0 kilograms   |
| Water reservoir capacity:              | 140.8 litres   |



# Contact Us

## Sales

Email [sales@waterups.com.au](mailto:sales@waterups.com.au)

Phone: 1300 205 550

## General Enquiries

Email: [info@waterups.com.au](mailto:info@waterups.com.au)

## Account Enquiries

Email: [accounts@waterups.com.au](mailto:accounts@waterups.com.au)

The WaterUps® website is owned and operated by WaterWix Pty Ltd – ABN 58 166 973 011.

The information contained in this document is provided as is and without any warranties of any kind, whether expressed or implied. Users are advised to make their own determination as to the suitability of this information

in relation to their particular purpose or specific circumstances. No responsibility can be accepted by WaterUps®, WaterWix Pty Ltd, or its staff for any loss resulting from any action taken or reliance made by you on any information contained in this document.

Copyright © 2022 WaterWix Pty Ltd. All rights reserved. WaterUps, the WaterUps Logo and Wicking our World are registered trademarks of WaterWix Pty Ltd.

Published: 1 April 2022