



RP892 Red™ Back-up Device with Popper™ Tow Cord

Data Sheet



Popper™ Tow Cord Release Clip



The Popper™ Tow Cord device has a breakaway clip, which provides a secondary attachment point for the tow cord. When used during normal positioning activity, this secondary attachment point allows the user to tow the device directly downwards. In a panic situation the clip should release under force.

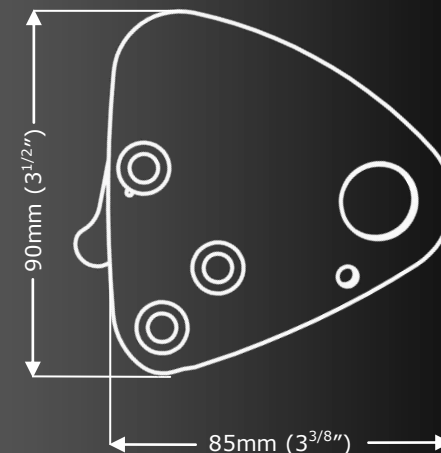


climb. work. rescue.



SOLUTIONS IN METAL

The RED™'s cams have a positively locking spring which means the device is self-parking rather than self-tailing. This is important for Rope Access work techniques as they require the back up device to be positioned so as to reduce fall factors to a minimum.



Weight	210g (7oz)
Body Material	Aluminium (Anodised)
Cam Material	Aluminium (Hard Anodised)
Rope Size	10.5- 11.0mm (3/8 -7/16")
Rated Capacity	140kg (310lbs)
Rescue (2 persons)	240kg (530lbs)
Standards	CE EN 12841 ANSI Z359.1