

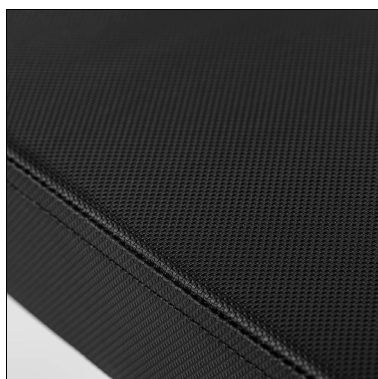
# REVOLVE Competition Combo



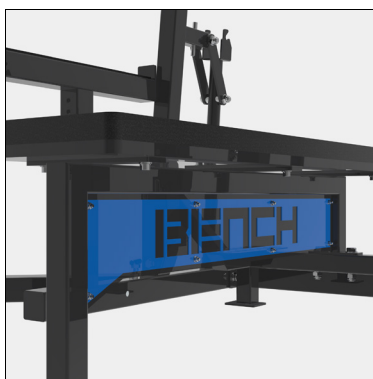
## Description

Bench Fitness Revolve Competition Combo is the perfect all in one tool for powerlifting competitions and training. Built according to the regulations and dimensions of multiple powerlifting federations across the globe. While the Bench Fitness Competition Combo Rack is designed for competitions, it is also the perfect tool for all in one training. With the space saving design the Bench Fitness Competition Combo Rack is ideal for use in a gym or a convenient solution for a home gym.

Using our Built Strong design philosophy, the Bench Fitness Competition Combo Rack is built using the strongest materials to ensure longevity and durability. With the convenient height adjustment, regulation dimensions and Built Strong design, the Bench Fitness Competition Combo Rack is the perfect tool for use in powerlifting competitions as well as in the gym.



Textured grip material



Large customizable logo plate



4 degree inward tilt function

## Features

- 10 year structural warranty
- Meets IPF specifications
- Roller J hooks for easy bar movement
- 4 degree inward tilt

## Specifications

Material:	75x75mm main frame
Length:	1590mm
Height:	438mm bench height
Width:	2049mm
Weight:	138kg



# REVOLVE Competition Combo



## Dimensions

