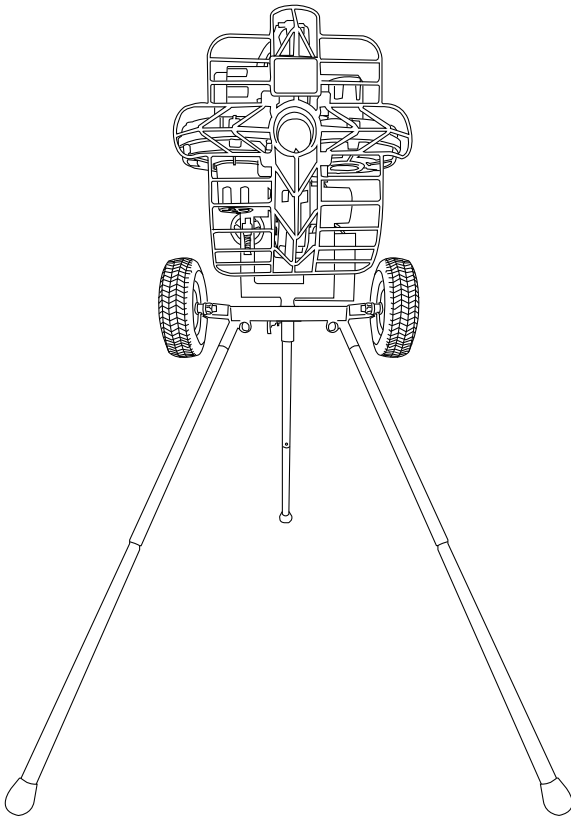




4-WHEEL BASEBALL PITCHING MACHINE

INSTRUCTION MANUAL

ZH-747BH



Please read the user manual carefully before using this product and keep it properly.

CONTENT

SAFETY PRECAUTIONS -----	1
OVERALL INTRODUCTION -----	1
SPECIFICATIONS -----	1
PARTS OVERVIEW -----	2
PACKAGE CONTENTS -----	2
ASSEMBLY INSTRUCTION -----	3
MACHINE ADJUSTMENT -----	4
BASIC TROUBLESHOOTING -----	8
WARRANTY & CUSTOMER SERVICE -----	9

SAFETY PRECAUTIONS

Thank you very much for choosing Furlihong. Before using your Furlihong baseball pitching machine, please take a moment to review the following important safeguards to ensure safe and optimal operation:

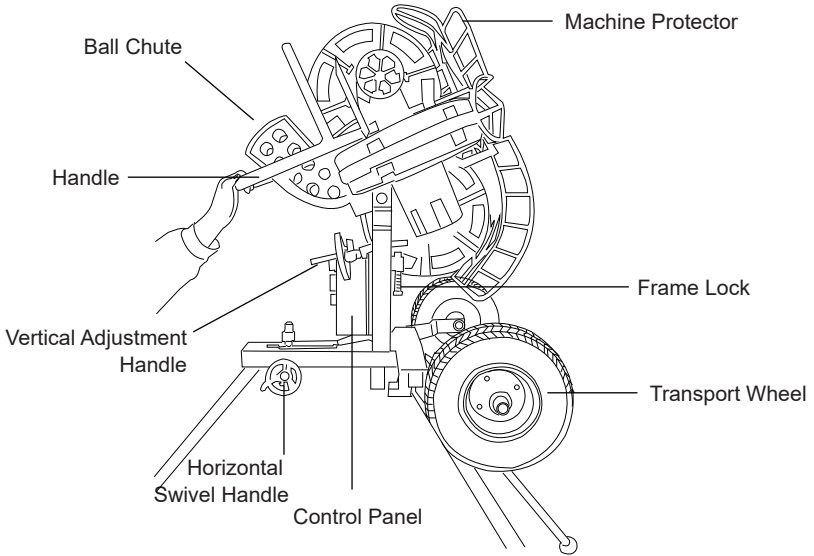
- Avoid using the machine in rain, dust, or salt spray.
- Always wear protective gear, including a helmet and face guard when using the machine.
- Ensure the machine is on a stable surface in a wide-open area of at least 13 meters.
- Keep children and pets away from the machine during use.
- Never leave the machine unattended while operating.
- Do not stand in front of the ball launcher when it's in operation.
- Do not modify the machine.
- Do not place heavy objects on top of the machine.
- Use this product only for its intended purpose.
- Keep the machine away from high temperatures and fire.
- Wipe and clean the machine after each training session.

OVERALL INTRODUCTION

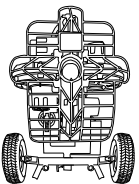

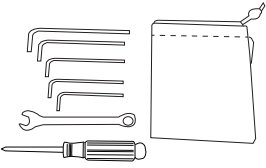

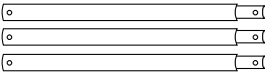
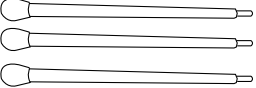
SPECIFICATIONS

Name	Baseball Pitching Machine
Model	ZH-747BH
Product Size	82" x 50" x 70"
Weight	151 lb
Rated Voltage	120V
Rated Power	600W

PARTS OVERVIEW



PACKAGE CONTENTS

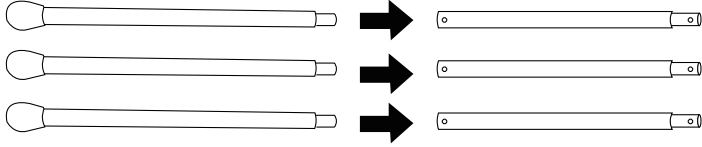
		
<p>Machine x 1</p>	<p>Training Balls x 3</p>	<p>Tools Pack x 1</p>
		
<p>Dust Cover x 1</p>	<p>The Leg Connectors x 3</p>	<p>The Bottom Legs x 3</p>

Please make sure all parts are complete before use. If any items are missing or damaged, please contact us at services@furlihong.com.

ASSEMBLY INSTRUCTION

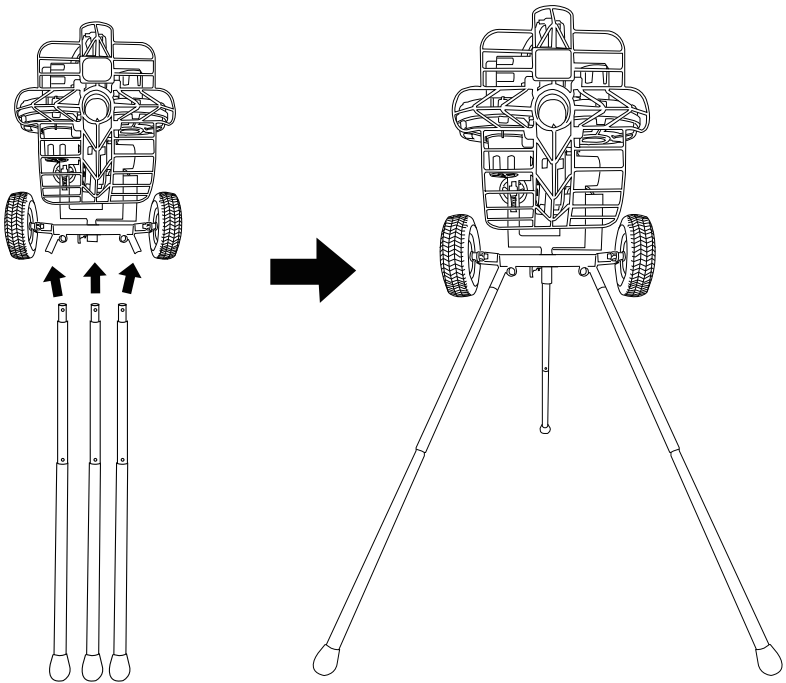
Step 1

Attach the leg connectors to the bottom legs.



Step 2

Plug them into the machine.



Note: Please ensure that the machine is securely installed before use.

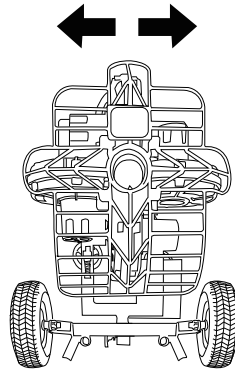
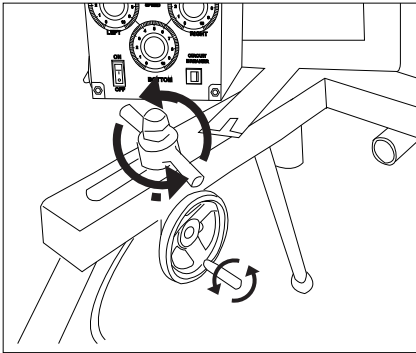
MACHINE ADJUSTMENT

1 How to Adjust the Machine's Horizontal Direction

The machine's horizontal direction can be adjusted at 2 levels: fine adjustment & large adjustment.

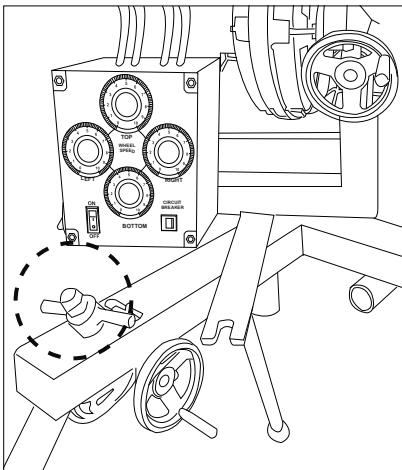
Fine Adjustment:

Loosen the nut and handle in the direction of the arrow, then turn the handle to adjust the machine's horizontal direction left & right.



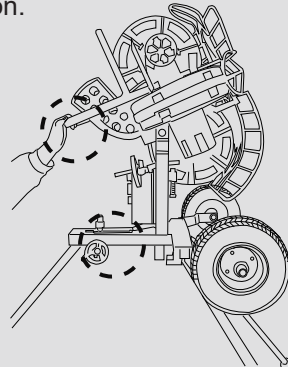
Large Adjustment:

Completely loosen the nut, then hold the machine's handle and rotate it left or right.



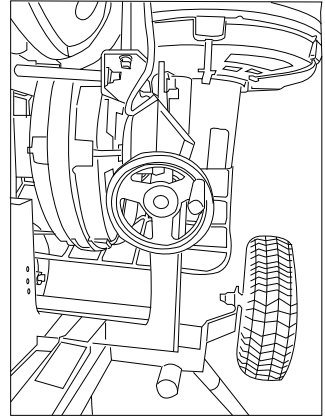
Cautions

1. To ensure safety when making significant adjustments to the machine's angle and serving the ball, always grip the handle securely.
2. Tighten the nut and handle to secure the machine before ending the training session.

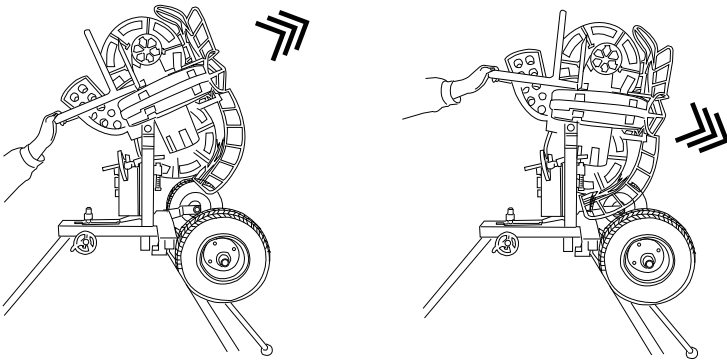


2 How to Adjust the Machine's Vertical Direction

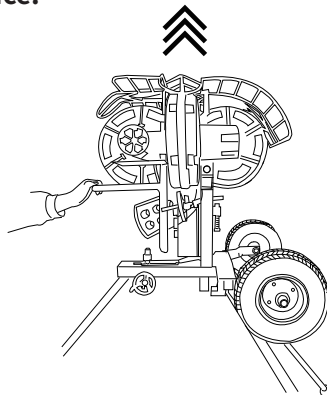
Loosen the vertical control handle and turn it clockwise to adjust the machine angle upward, and counterclockwise to adjust the machine angle downward.



Up & Down Fielding Practice:

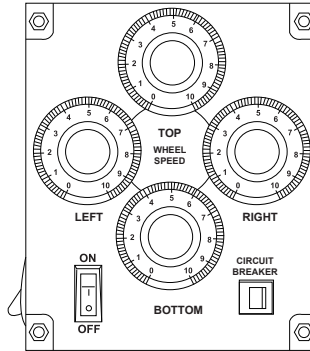


Catching fly balls Practice:

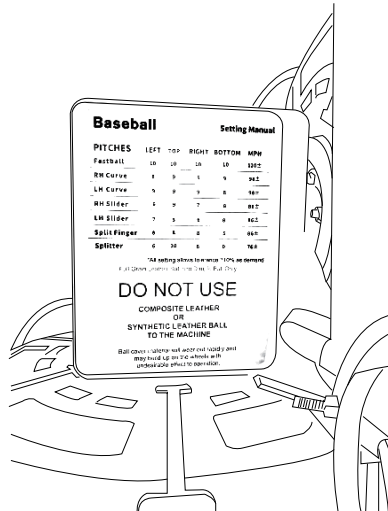


3 Adjust the Machine to Throw Different Pitch Types

By adjusting the speed panel, you can adjust the speed of each of the 4 wheels individually to throw different types of pitches, including fastballs, curveballs, sliders, split-finger pitches, and more.



You can consult the Setting Manual provided with the machine for making adjustments.

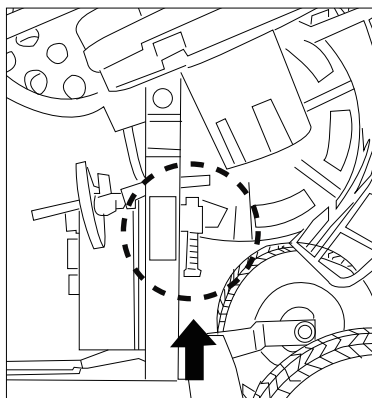


4 Machine Mobility Assembly Steps

Note: The following assembly requires at least 2 adults.

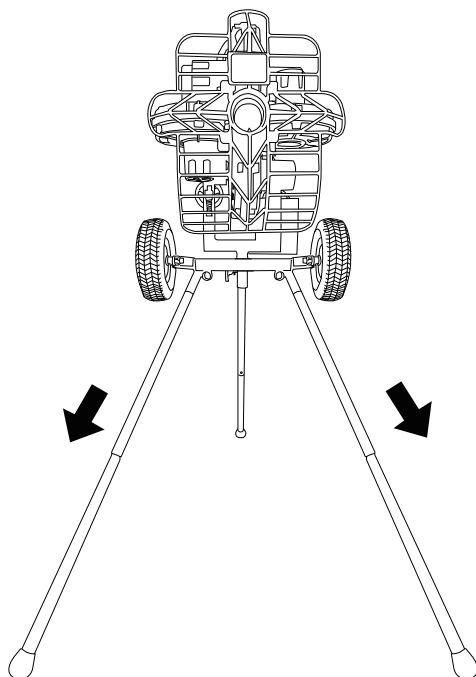
Step 1

Push the frame lock to secure the machine.



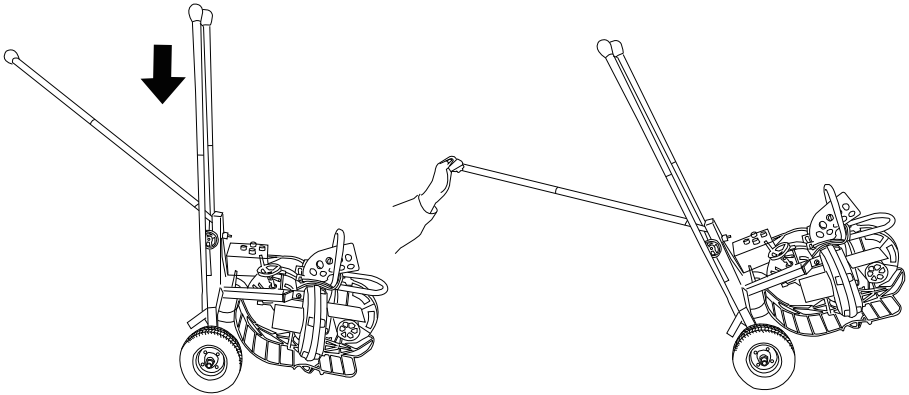
Step 2

Detach the front two support legs and carefully lower the machine to the ground.



Step 3

Insert the 2 support legs into the poles under the swivel lock, and the machine can now be easily transported.



BASIC TROUBLESHOOTING

PROBLEMS	REASONS	SOLUTIONS
Machine stops	Power outage	Check power status
	Other reasons	Contact customer service
Unstable ball serves	Wrong ball type	Use correct balls: Leather standard baseballs Furlihong training balls

WARRANTY & CUSTOMER SERVICE

We stand behind the quality of our products and are committed to providing exceptional customer service. Here's what you need to know about our warranty and how to reach us for assistance.

WARRANTY

Warranty Coverage:

Your Furlihong 747BH baseball pitching machine is backed by a 12-month warranty against defects in materials and workmanship. Additionally, the motor, machine wheels, and bearings are covered by a 24-month warranty.

Exclusions from Warranty Coverage:

The warranty does not cover damage caused by misuse, improper handling, or unauthorized modifications. Normal wear and tear is also not covered under the warranty.

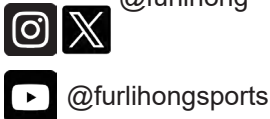
How to Submit a Warranty Claim:

If you encounter any issues covered under warranty, please reach out to our customer service team at services@furlihong.com. To expedite your claim, provide proof of purchase and a detailed description of the issue.

CUSTOMER SERVICE

For any questions, concerns, or assistance with your Furlihong baseball pitching machine, our customer service team is here to help. You can contact us via email at services@furlihong.com.

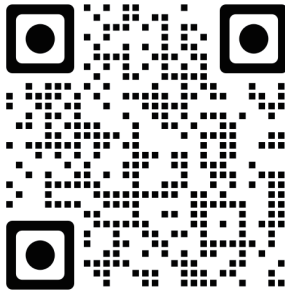
Stay connected with us for updates and more! Follow our brand on social media:





 www.furlihong.com

 services@furlihong.com



Scan the QR code to access the website instantly.