



Instructions

Front Control Arm - Rear Bushing - Anti-Geometry

Note - This instruction sheet should be used in conjunction with the workshop manual and proper safety procedures followed.

Application - Hyundai i20N
- 2022 - on

(Refer current catalogue for complete listing)

WHITELINE recommends noting wheel alignment settings prior to disassemble.

- Raise vehicle evenly and safely support.

Never rely on a Jack only

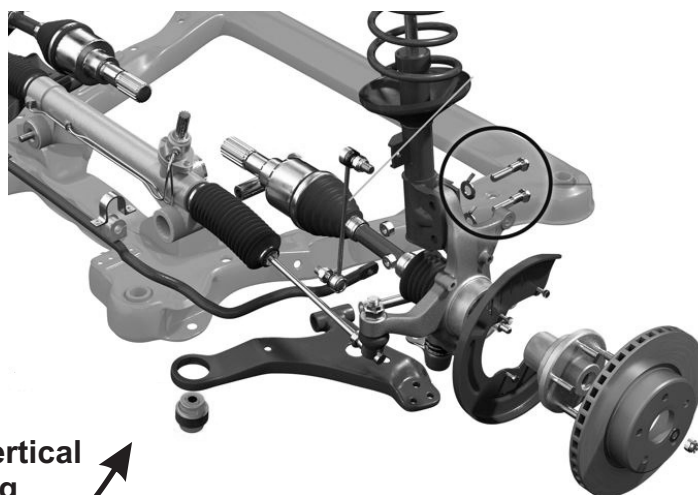
- Proceed to remove front wheels.
- Loosen lower ball joint nut (Don't remove nut yet).
- Strike hub to loosen ball joint taper.



Rear vertical Bushing

Contents - low compliance vertical axis bushing 69267 x2
- anodised aluminium geometry spacer x2

WHITELINE MOTORSPORT Anti-geometry bushings dramatically improve vehicle turn-in during high speed cornering. Also improving front-end grip under acceleration. Braking performance is also significantly improved



- Proceed to remove the front bushing and rear bushing bolts. Remove arm from vehicle.

Refer page 2

It is recommended that a licenced workshop or tradesperson carry out the above procedure and that workshop manual and relevant safety procedures are followed in addition to the above.

Instructions

Front Control Arm - Rear Bushing - Anti-Geometry

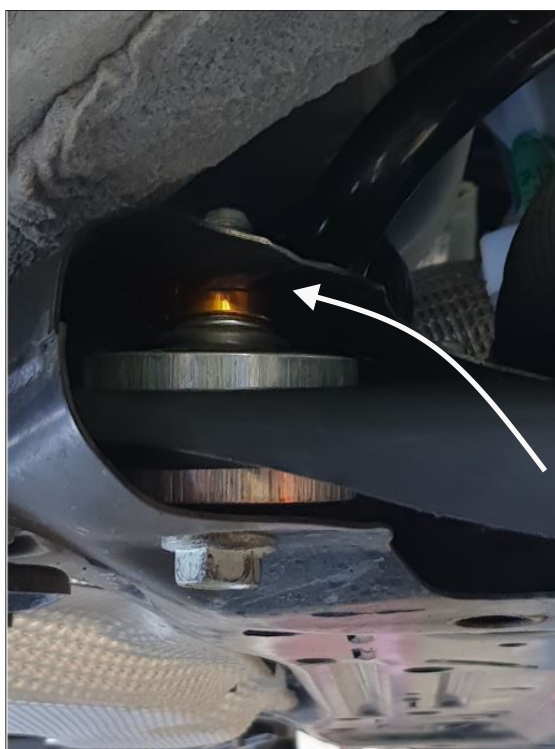
Note - This instruction sheet should be used in conjunction with the workshop manual and proper safety procedures followed.



Continued - page 2 -

- Use a Press to press out original rubber bushing - including steel outer shell.

Note - Press tool outer diameter should not exceed 65.5mm. (control arm ID)



- Press new MOTORSPORT bushing into clean control arm.

Press bushing in 'half way' - bushing should sit central in control arm.

- Proceed to install arm to vehicle.

IMPORTANT - supplied geometry spacer to be placed ON TOP of bearing - refer LH image.

- Bolt up arm with original bolts.
- A wheel alignment will be required after install.
- Re-check all bolts after 200kms

It is recommended that a licenced workshop or tradesperson carry out the above procedure and that workshop manual and relevant safety procedures are followed in addition to the above.