

# ERGO CAP

Crutch Tips



Specification  
Sheet

# ERGO CAP

## Description

- Ergocap is a patented rubber crutch tip that features a circular base with four ailerons springing from the base for gripping on surfaces more effectively, especially on wet or humid surfaces.
- The four anti-slippery ailerons springing from the base of the crutch tip can flex up to thirty degrees. This way, the Ergocap emulates the movement of the foot and ankle joints, perfecting the gait, moving in a heel-flat-toe fashion.
- The Ergocap introduces a special part of the rubber called the neck, with a circumference that provides the perfect movement to emulate the foot and ankle articulations, promoting a perfect gait (Heel-Flat-Toe)
- The two alliances of the four shock absorber ailerons that spring out of the base of the Ergocap and the neck of the crutch tip allow the Ergocap to be the first and only crutch tip on the market that emulates the two articulations of the foot and ankle with just a single movement.
- Made out of the strongest rubber in the market, the Ergocap does not deteriorate as fast as other crutch tips in the market. It allows for longer duration without having to replace it as often as conventional crutch tips.

## Models

**ERGO CAP**  
*High Performance*



**ERGO CAP**  
*Ultralite*



# ERGO CAP

## Crutch Tips

*The Ergocap is the only Crutch Tip in the market that effectively emulates the foot and ankle joints, providing a proper posture while delivering stability at any angle.*

*The Ergocap by Ergoactives contains four anti-slippery ailerons with flaps for balance and support. The Ergocap promotes a perfect gait, as it makes the user walk in a Heel-Flat-Toe manner, providing a proper posture and reducing unnecessary pain. Ergocap also contains a 360-degree neck tip that adjusts as the user walks with crutches. This way, the user does not require extra strength to maneuver the crutches and does not have to place excessive force on the shoulders to walk in crutches. Overall, Ergocap is an extremely robust and durable crutch tip on all types of terrain, supporting heavy loads/weight and handy for all types of crutches.*

*Solid Reinforced Body*

*Rotating Neck*

**ERGO CAP**  
*High Performance*

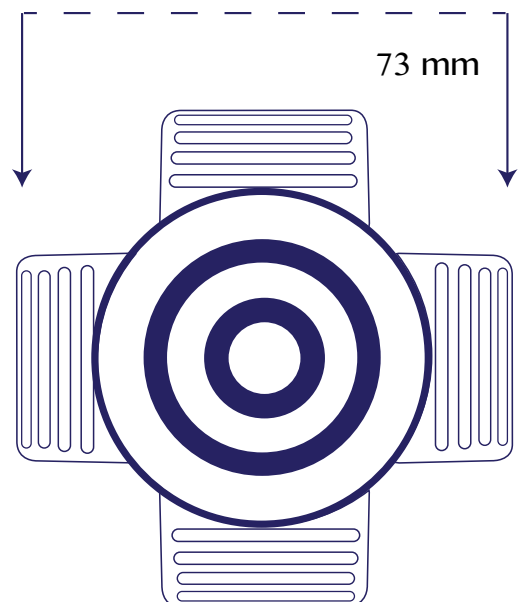
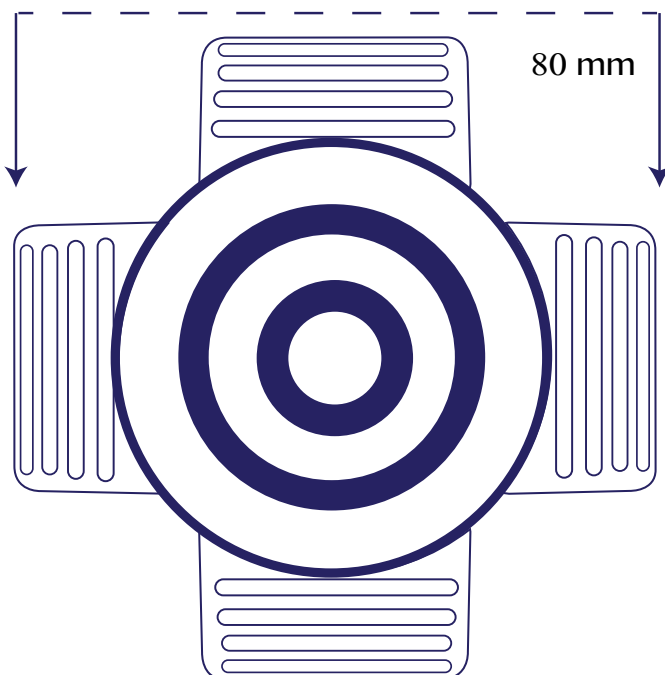
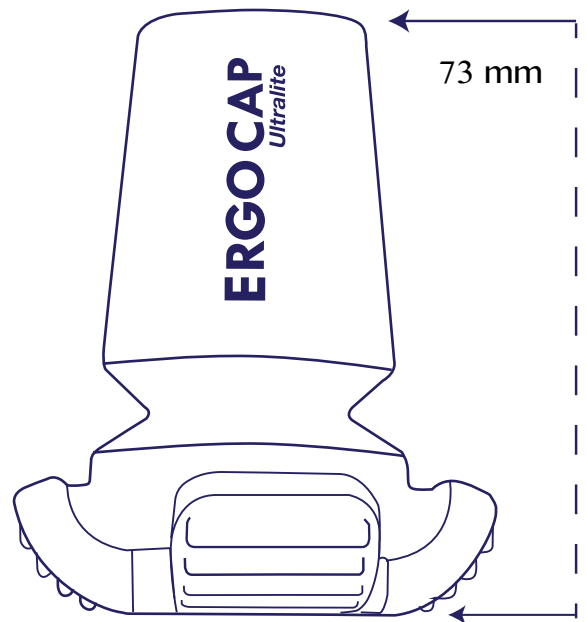
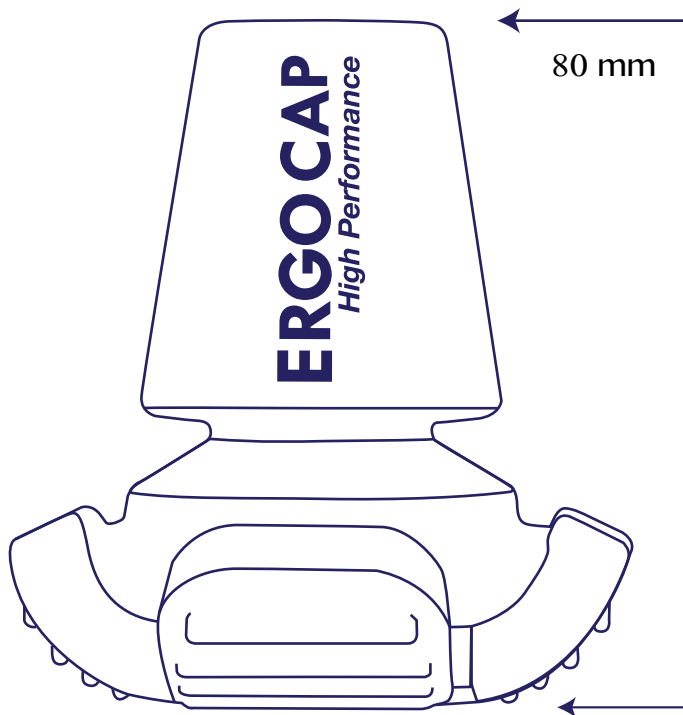
*Stabilizing Wings*

*Non-Slip Spoilers*

# ERGO CAP

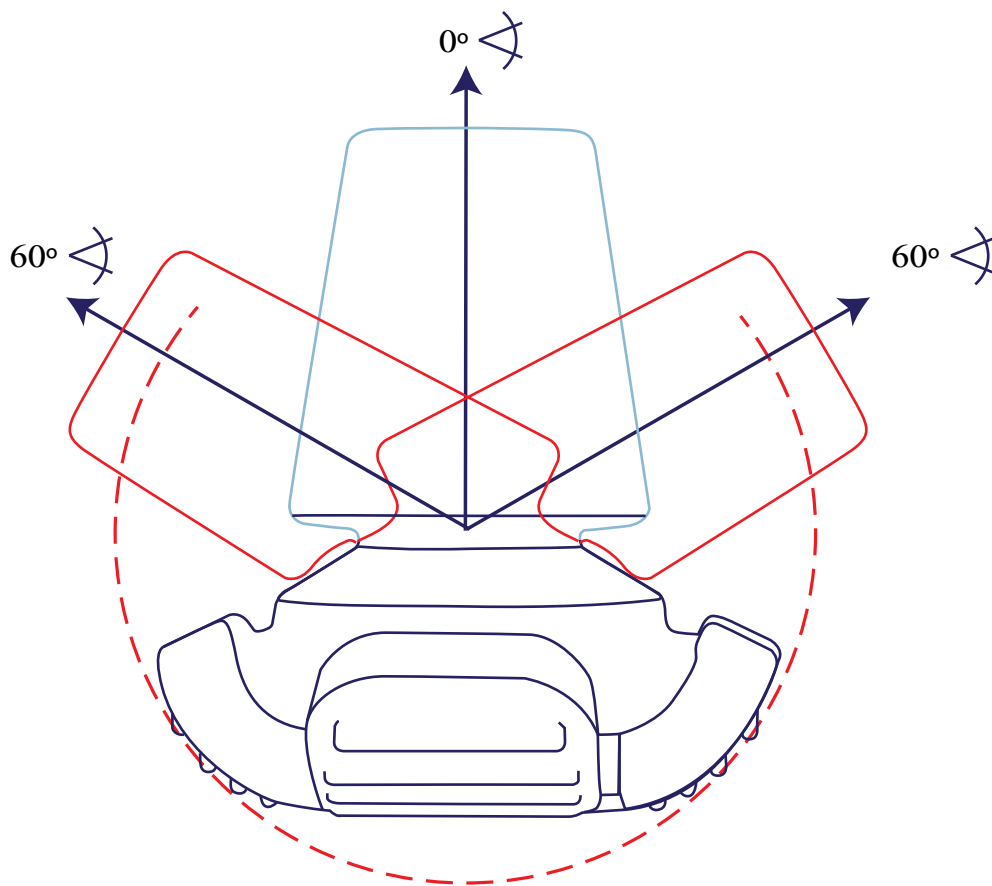
**HIGH –PERFORMANCE:** Generally used as a replacement crutch tip or Helper/Walker tips. It comes equipped in every Ergobaum Royal and Ergobaum Queen models.

**ULTRALITE:** Generally used for Canes, given its lighter weight and smaller size compared to Ergocap High Performance Crutch Tips, which are somewhat heavier and bigger in size. It comes equipped in every Ergobaum Prince models..



# ERGO CAP

MODEL	Weight	Height	Base Circunference
HIGH PERFORMANCES	202gr. 7.3 oz	80mm 3.5 in	80mm 3.5 in
ULTRALIGHT	96gr. 3.4 oz	73mm 2.9 in	60mm 2.5 in



Articulated neck allows the upper body of the cane to emulate the tibial navicular joint, allowing a much more safe and comfortable gait.

# ERGO CAP

## Materials

Manufactured with a highly durable rubber without latex. It is a centrifuged rubber that gives the Ergocap high resistance and the highest quality possible to avoid as much wear and tear as possible when the tip is placed in any possible angle.

## Packages

High Performance  
One Unit

High Performance  
Two Unit

Ultralite  
Two Units

Ultralite  
One Units



**Questions? Call Us At 800-231-6393**

Ergoactives, LLC

20725 N.E. 16th Ave, Suite A 26 • Miami, FL 33179

P. 305.359.5031 Email: [info@ergoactives.com](mailto:info@ergoactives.com)

[www.ergoactives.com](http://www.ergoactives.com)

