

bloom[®]
bloombaby.com

designed by bloom in australia, assembled in vietnam / designé par bloom à australie, assemblé à vietnam /
diseñado por bloom en australia, ensamblado en vietnam / entworfen bei bloom in australien, montiert in vietnam /
design bloom di australia, realizzato in vietnam / ontworpen door bloom in australië, samengesteld in vietnam

bloom, 433 west 21st, suite 8a, new york, ny 10011
bloom, 28a shepherd market, suite 2, london uk, w1j 7qs
bloom, 105 braemore gardens, toronto, ontario, canada, m6g 2c7
toll free +1 800 399-9331

copyright © bloom 2012, all rights reserved

10353-m018-01

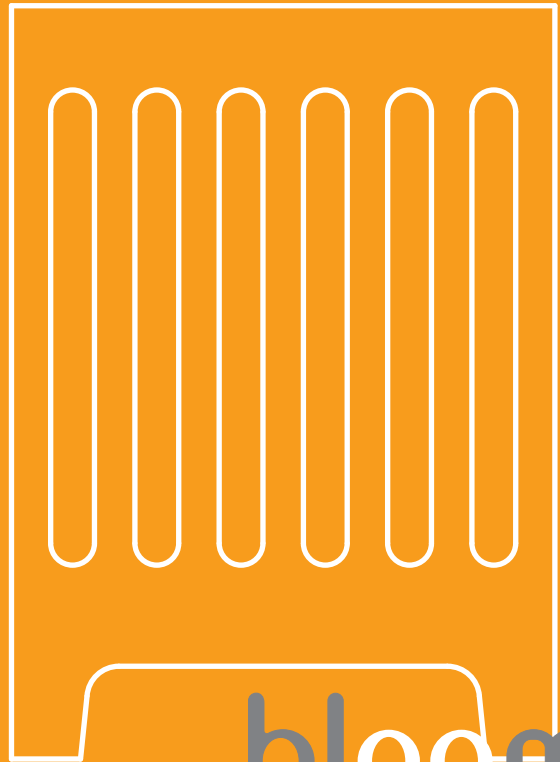


alma papa™

crib

berceau / cuna / kinderbett / lettino / wieg

user guide



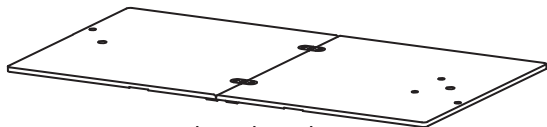
bloom[®]
bloombaby.com



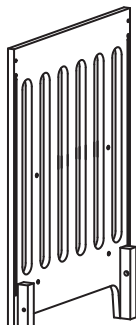
alma TMpapa

Contents

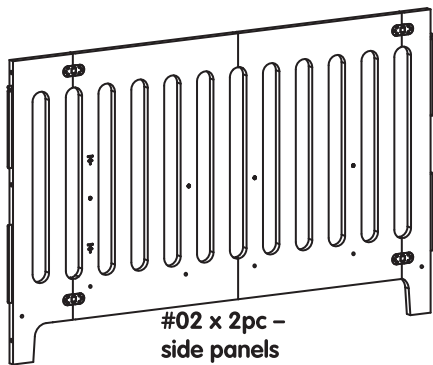
Part List & Illustrations	3-8
Liste des pièces & Illustrations	
Lista de piezas & Ilustraciones	
Mitgeliefertes Zubehör & Abbildungen	
Lista delle componenti & Illustrazioni	
Onderdelenlijst & Illustraties	
Instructions – eng	9-15
Instructions – fr	16-22
Instrucciones – es	23-29
Gebrauchsanweisung – de	30-36
Istruzioni – it	37-43
Instructies – ned	44-50



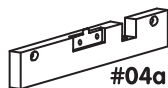
#03 - base board



#01 x 2pc - end panels



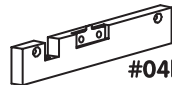
#02 x 2pc - side panels



#04a x 2pc - side stays



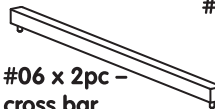
#05 x 2pc - end stays



#04b x 2pc - side stays



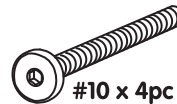
#08 x 26pc - bolts



#06 x 2pc - cross bar



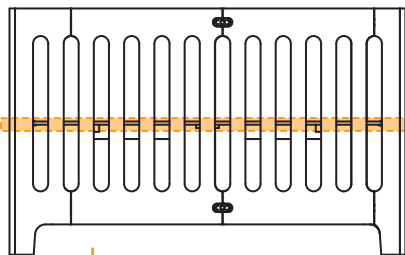
#07 - tool (hex key)



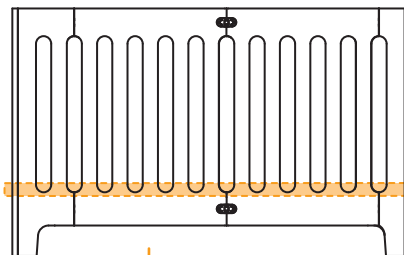
#10 x 4pc - long bolts



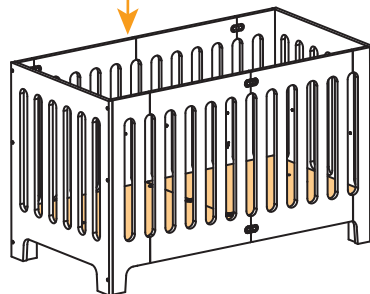
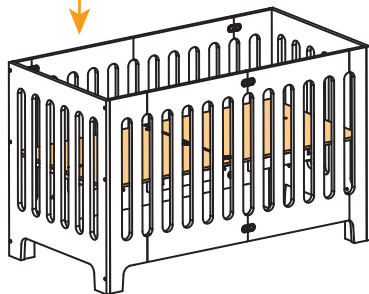
#09 x 4pc - castors

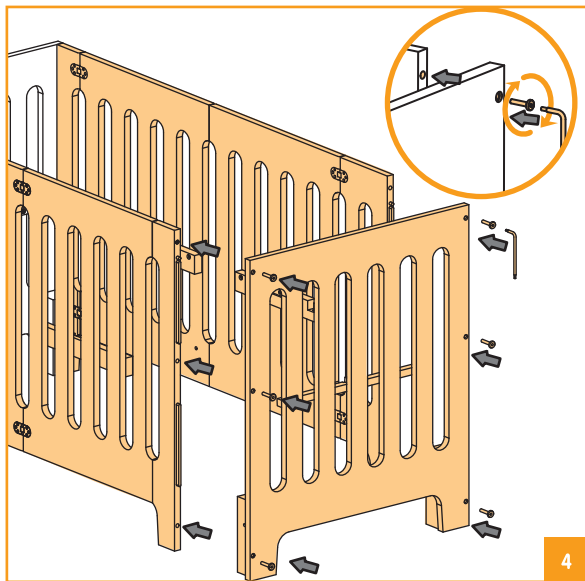
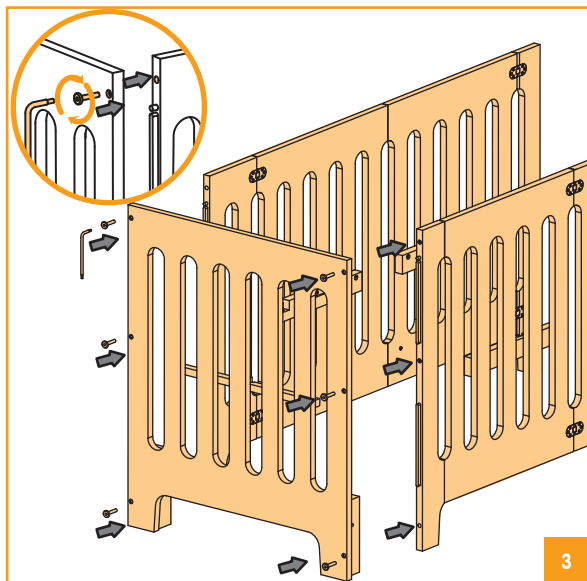
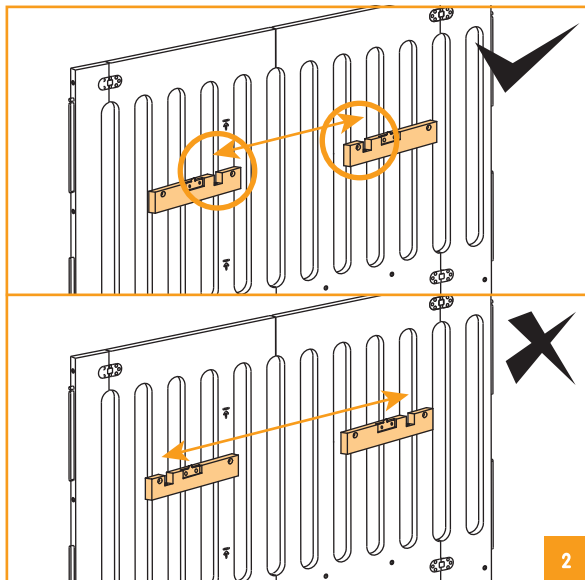
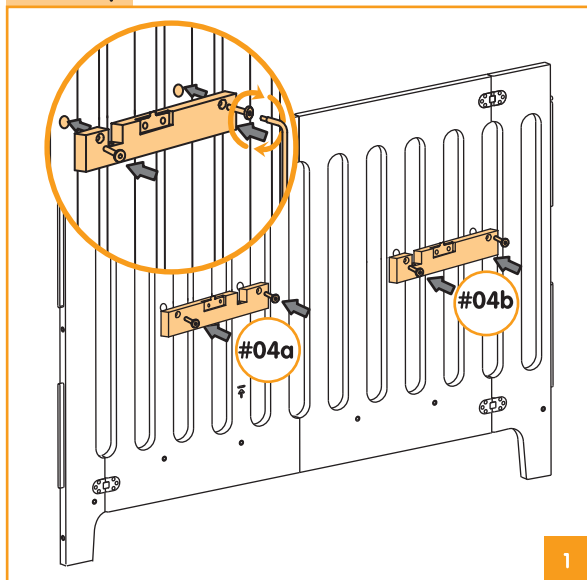


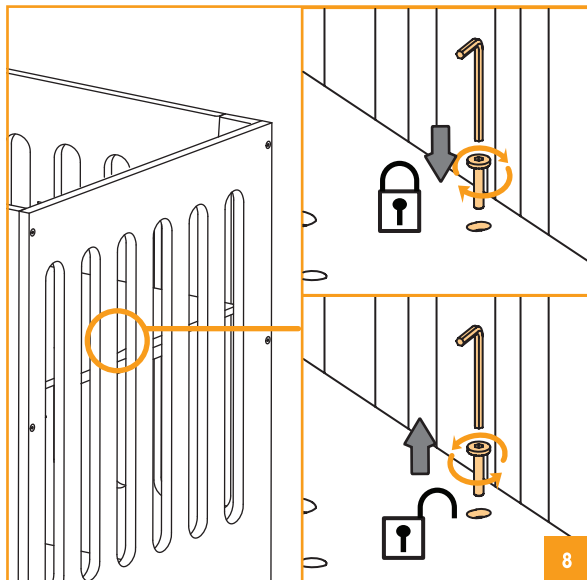
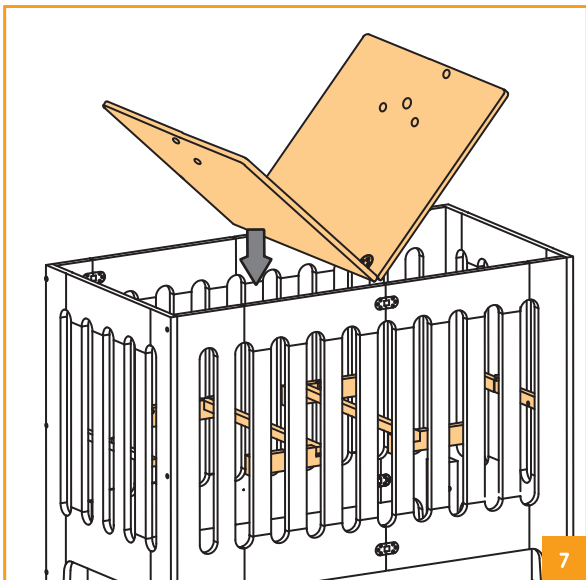
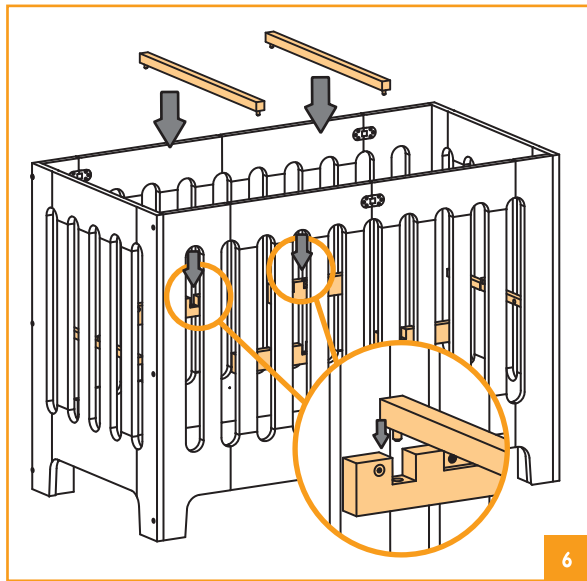
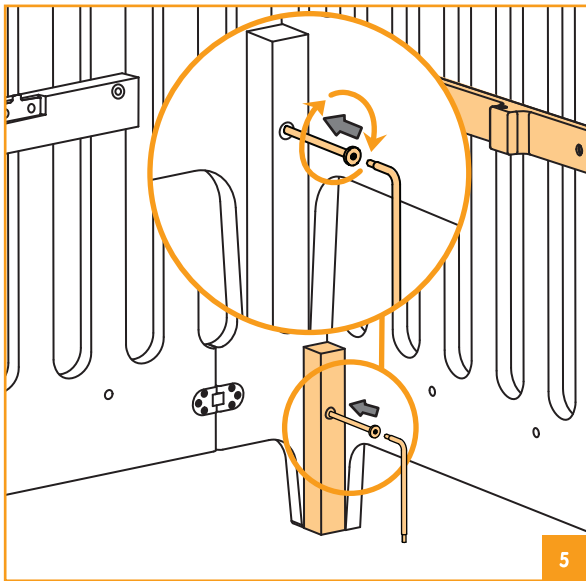
A

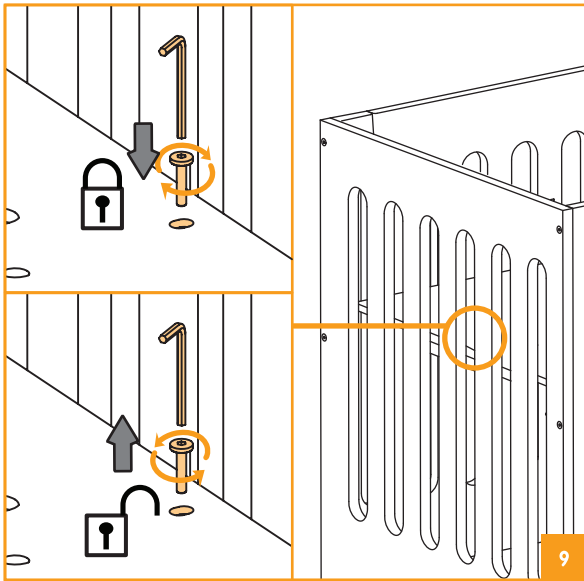


B

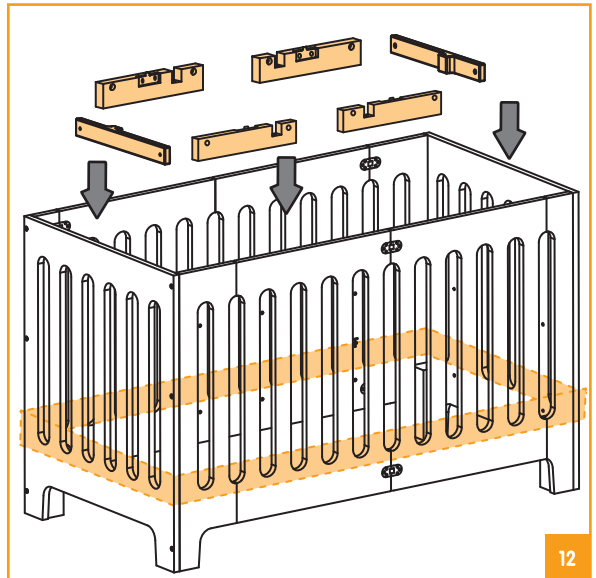
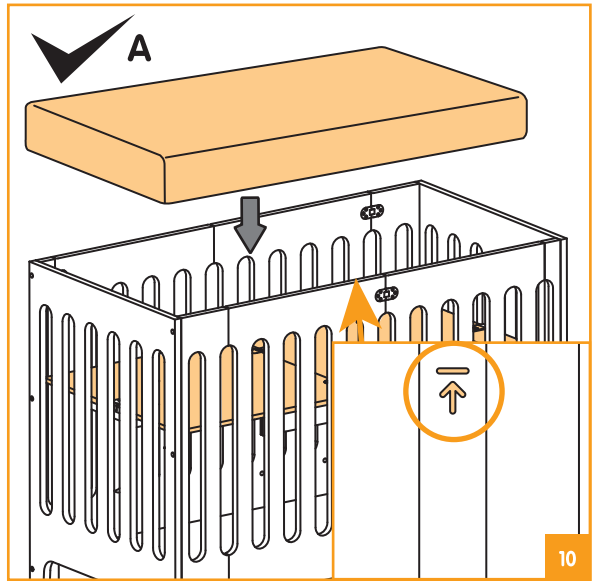
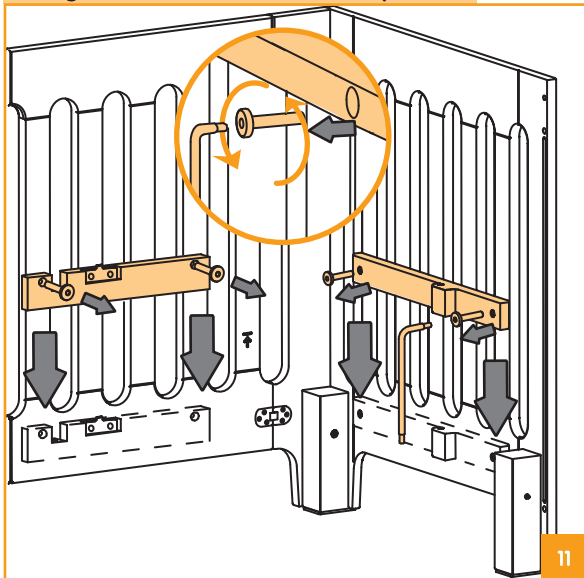


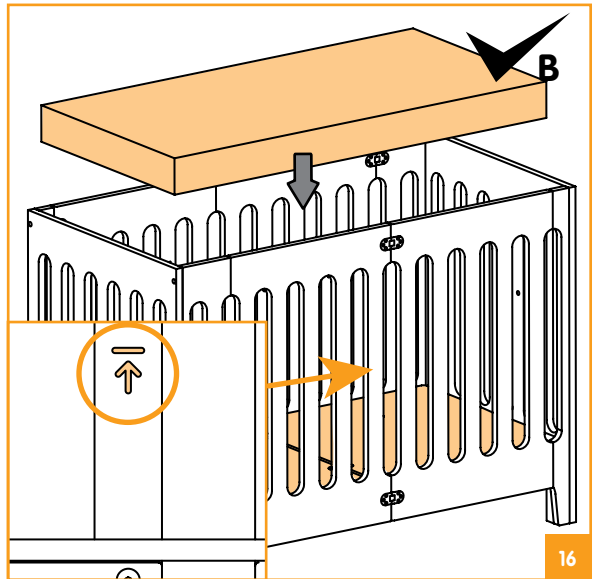
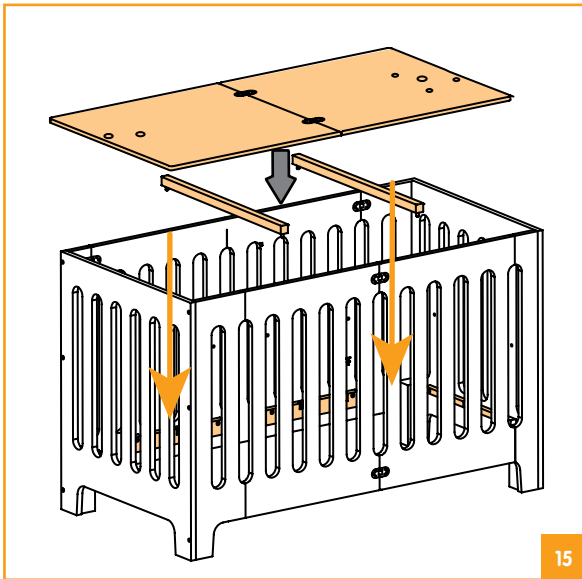
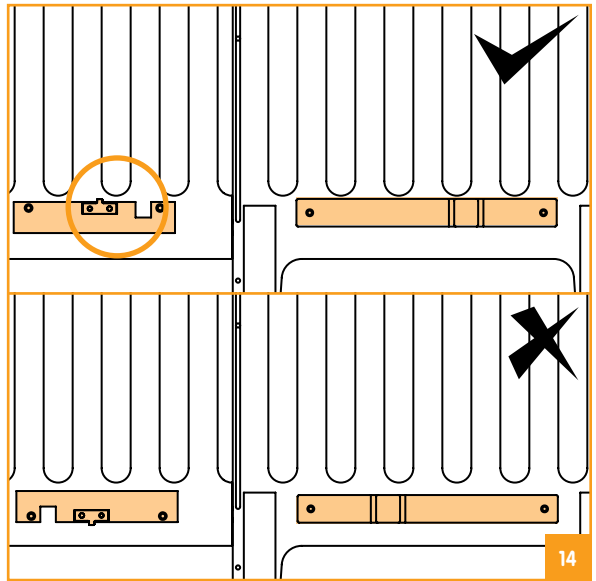
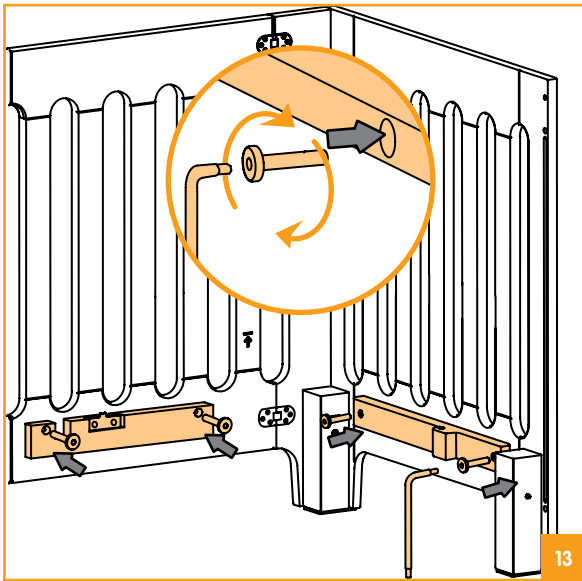




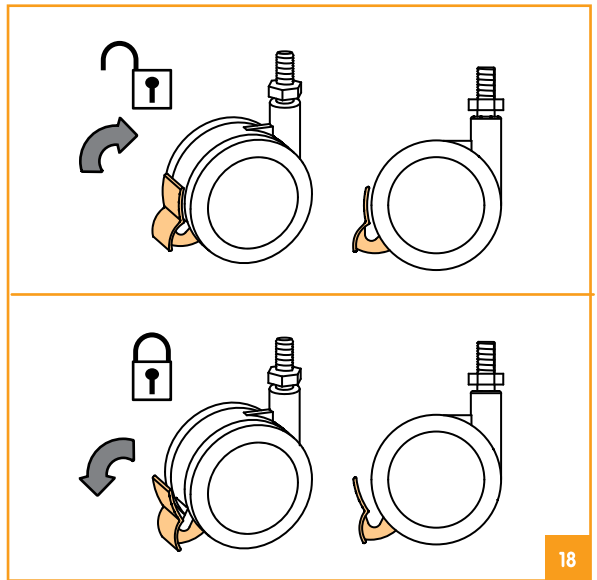
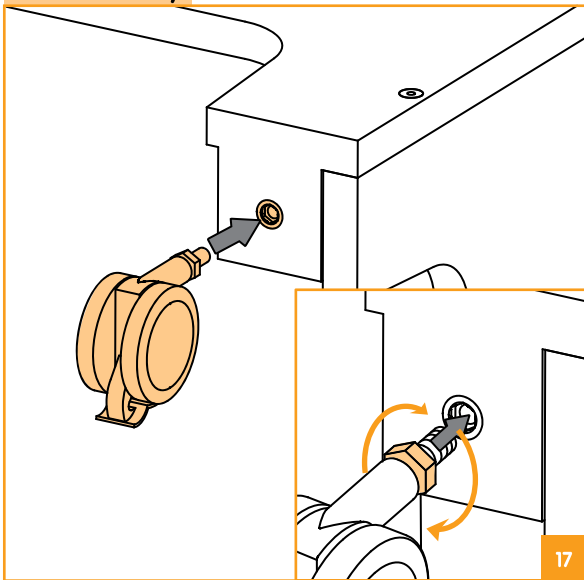


change base board level to LOWER position

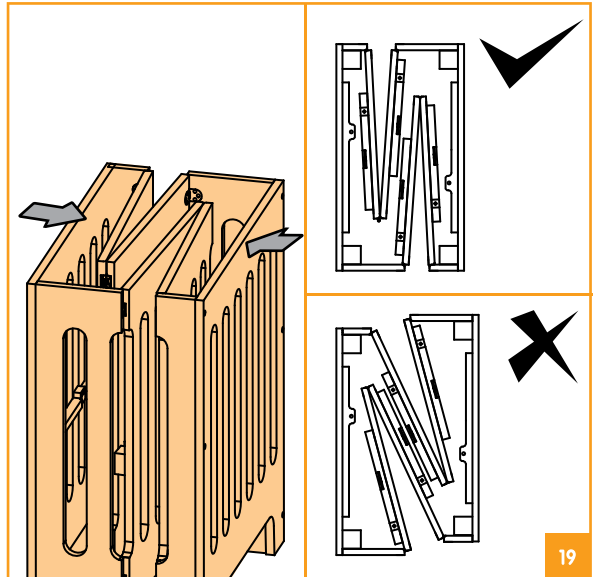
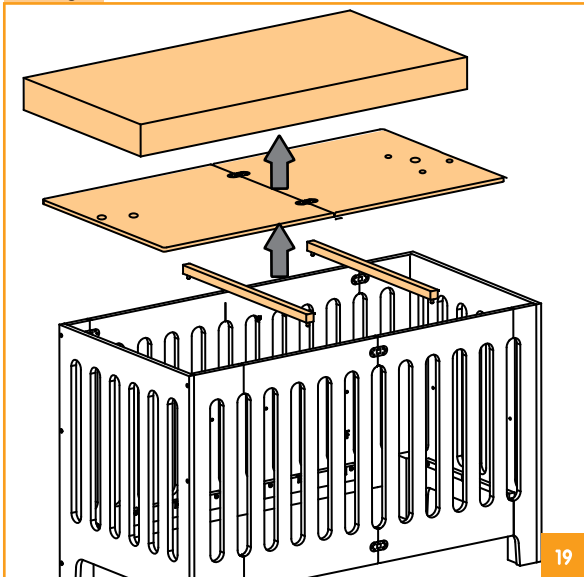




castor assembly



storage



thank you for choosing the european full size alma papa™ urban crib. with contemporary lines the alma papa™ complements modern home styling, and with its unique folding design it is practical for easy storage and room to room mobility.

**IMPORTANT –
RETAIN FOR FUTURE
REFERENCE: READ
CAREFULLY BEFORE
ASSEMBLY AND USE
OF PRODUCT.**

Please remove all packaging materials before use.

Age Recommendation

Recommended for use between newborn and 4 years.

Product Information

This crib has been designed and tested to ensure compliance with the latest relevant safety standards.

- Newborn to school-age convertibility – from crib to toddler bed
- Folding design for easy storage – no small parts to lose
- 2 different mattress platform heights for easy access to newborn baby
- Contemporary design
- 4 lockable castors included

Model No.: 10353

Patents Pending

Colour & contents may vary

NOTE: Adult assembly required.

If refinishing, use a nontoxic finish specified for children's products.

Instructions For Safe Use – Please read carefully and keep for future reference

The correct use and maintenance of your baby crib bed will ensure it gives long and trouble-free use. When somebody else is using your crib bed please ensure they also know how to use it, how to adjust it and the necessary safety precautions. The safety of your child is your responsibility.

Select base board level

The base board can be set at different heights. Currently the base board stays are pre-assembled onto the alma papa panels at the UPPER position. This position should ONLY be used for babies from new born to approximately 6 months old or until can sit up unaided.

WARNING

TO PREVENT FALLS, THE MATTRESS BASE OF THIS Crib SHOULD BE ADJUSTED TO THE LOWEST POSITION BEFORE THE CHILD CAN SIT UP.

1 - 10 Crib Set Up

- (#02 side panels, #04a & b side stays, #07 tool - hex key, #08 bolts) assemble the 4 side stays onto the upper level of the side panels by tightening the bolt using the tool included (hex key). You will find the hex key enclosed with the castors. (refer to illustration 1 & 2)
- (#01 end panel, #02 side panels, #07 tool – hex key, #08 bolts) Join two side panels to one of the end panel by tightening the bolts

with tool included (hex key). Make sure the sides with stays assembled faces to the inside of the crib. (refer to illustration 3)

- Assemble the other end panel by tightening the bolts with tool included (hex key). (refer to illustration 4)
- (#07 tool – hex key, #10 long bolts) Tightening the end panels' posts using the long bolts with tool included (hex key). (refer to illustration 5)
- (#06 cross bar) Place the cross bar onto the troughs that are located at the bottom of side panels. Make sure tips of on cross bar should be go downward into the troughs. (refer to illustration 6)
- (#03 base board) Place the base board within the crib, onto the stays. Make sure correct side up – the side with labels is the top side of base board.
- Assemble the bed base onto end stays on both end panels by tightening the bolts with tool included (hex key).
- Please store the tool (hex key) in safe place for future use.
- The crib assembly is now complete.

11 - 16 To change base board level to LOWER position

- (#04a & b side stays, #05 end stays) Remove all 6 base board stays from the frame (side stays x 4 + end stays x 2) by loosening the bolts with tool included (hex key).
- Assemble the 6 base board stays to your desired base board level. Secure by tightening the bolts with tool included (hex key). Make sure the end stays are assembled

correct side up. (refer to illustration 14)

! WARNING

To prevent injury from falls, the crib shall no longer be used if child is able to climb out of crib.

Consider converting to toddler bed mode with the optional bed.

Toddler Bed Set Up

Optional bed rail is available as accessory. Please check with your retailer or bloombaby.com for more details.

17 - 18 Castors Assembly

- 4 lockable castors are included. The use of these is optional.
- If you choose to use castors with your crib, always lock the brakes of the castors whenever the crib is in use.
- (#09 castors) Attach the castors by screwing them into the threaded holes by turning the hex blot until tight.
- To lock castors, push down on the locking levers on each castor.
- To unlock, lift up the levers on each castor.
- To remove castors, turn hex blot to unscrew loose.

19 - 20 Storage

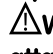
- To fold away your alma papa crib for storage, first remove mattress.
- Remove base board from frame - loosening the bolts on both end of the bed base.
- Fold side panels inwards and push end

panels in together. Make sure the panels are folded in the correct direction. (refer to illustration 20)



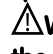


Mattress

- Mattress is not included with the crib. This can be purchased separately. Always use a mattress with your crib.
- Minimum size of mattress to be used with the alma papa crib should be 120cm / 47½" x 60cm / 23½", and the gap between the mattress and the sides and ends must not exceed 2.5cm / 1".
- Mattress thickness shall not exceed the level marks "↕" indicated on the inner facing of the side panel for both base board heights (refer to illustration 10 & 16). Thickness of the mattress shall be such that the internal height (surface of the mattress to the upper edge of the crib frame) is at least 57cm / 22½" in the lowest position of the crib base and at least 31cm / 12¼" in the highest position of the crib base.
- Using the wrong size mattress may create hazardous gaps that could result in suffocation or could reduce the side height of the crib which may result in your child falling out from the crib.

WARNINGS:

- If you use the crib with a changing unit:
 **WARNING: Strangulation Hazard: Always attach the provided 2 straps securely when using on play yard/full/non-full size crib. If**

either of the 2 straps is not secure, a child in play yard or crib can lift or shift the tray and get neck trapped between the tray and the frame.

-  **WARNING: Be aware of the risk of open fire and other sources of strong heat, such as electric bar fires, gas fires, etc. in the near vicinity of the crib.**
-  **WARNING: Do not use the crib if any part is broken, torn or missing and use only spare parts approved by the manufacturer.**
-  **WARNING: Do not leave anything in the crib or place the crib close to another product, which could provide a foothold or present a danger of suffocation or strangulation, e.g. strings, blind/curtain cords, etc.**
-  **WARNING: Do not use more than one mattress in the crib.**
- **Check carefully that the locking mechanisms are fully engaged before using the folding crib.**
- **The lowest position is the safest and that the base should always be used in that position as soon as the baby is old enough to sit up.**
- **All assembly fittings should always be tightened properly and that fittings should be checked regularly and retightened as necessary.**
- **To prevent injury from falls that when the child is able to climb out of the crib, the crib shall no longer be used for that child.**
-  **WARNING: Failure to follow these**

warnings and instructions could result in serious injury or death.

- **⚠️WARNING:**
Infants can suffocate
 - In gaps between a mattress too small or too thick and product sides.
 - On soft bedding:
NEVER add a mattress, pillow, comforter, or padding.
- **CAUTION:** Any mattress used in this crib must be at least 120cm / 47¼" long by 60cm / 23½" wide and not more than 10cm / 4" thick.
- **⚠️WARNING:** Make sure latches / bolts are secure/ tightened.
- **⚠️WARNING:** Strings can cause strangulation! DO NOT place items with a string around a child's neck such as hood strings or pacifier cords. DO NOT suspend strings over product or attach strings to toys.
- **⚠️WARNING:** Discontinue use of the product when child is able to climb out or reaches the height of 89cm / 35".
- **⚠️WARNING:** When child is able to pull to standing position, set mattress/base to lowest adjustment position and remove bumper pads, large toys, and other objects that could serve as steps for climbing out.
- **⚠️WARNING:** The product, including side rails, should be fully erected prior to use.
- **⚠️WARNING:** Never place product near a window where cords from blinds or drapes can strangle a child.
- **⚠️WARNING:** Use ONLY mattress/pad provided by manufacturer (which must be at least 120cm / 47¼" long by 60cm / 23½" wide and not more than 10cm / 4" thick).
- **⚠️WARNING:** Always provide the supervision necessary for the continued safety of your child. When used for playing, never leave child unattended.
- **⚠️WARNING:** To reduce the risk of SIDS, pediatricians recommended healthy infants be placed on their back to sleep, unless otherwise advised by your physician.
- **⚠️WARNING:** Never use this product if there are any loose or missing fasteners, loose joints or broken parts. Check before assembly and periodically during use. Contact bloom for replacement parts. Never substitute parts.
- **⚠️WARNING:** Never use plastic shipping bags or other plastic film as mattress covers not sold and intended for that purpose. They can cause suffocation.
- Never use a water mattress with this product.
- Child can become entrapped and die when improvised netting or covers are placed on top of a product / crib / cot. Never add such items to confine child in product / crib / cot.
- If refinishing, use a nontoxic finish specified for children's products.

IMPORTANT!

- Before assembling this crib read and

understand the instructions. Incorrect assembly may make the crib unsafe.

- Do not use this crib if any part is broken, torn or missing.
- To prevent falls, the crib with the base board in the upper position should not be used once a child can sit up.
- Do not leave anything in the crib (such as toys) that provide a foothold.
- Do not use the crib near naked heat sources, bar heaters, open fires or exposed flames.
- Keep the crib clear of trailing cables and hanging cords.
- Keep medication, and small items that a child could choke on away from the crib.
- **DO NOT** place alma papa crib on an elevated surface.
- When castors are used, make sure the castors are locked when a child is unsupervised in it.
- If refinish, use a non-toxic finish specified for children's products.

Care & Maintenance

- When cleaning your crib, use a non-toxic, non-abrasive cleaner. Mix a solution of water with a small amount of a mild, non-toxic, detergent. Apply to crib surface with a damp cloth.
- When moving crib without castors assembled, always lift the unit. Do not push or drag it to avoid damaging the legs.
- It is important that the humidity levels in the room be controlled from extremes of too much humidity or too little. Crib should not be placed to air-conditioning outlets, fire places, radiators,

space heaters, humidifiers or dehumidifiers. Exposure to extreme variations of temperature and humidity can damage wood.

- Keep the crib out of direct sunlight. UV rays may fade colors and in some cases darken them. It can cause crazing or hair line cracks in the finish. White finished will yellow naturally over time and exposure to direct sunlight will hasten this natural process along with some woods darkening naturally over time; this is not considered to be a quality defect.
- If you need to put your crib in storage for any period of time do not store them in a damp or hot environment. Allow air flow around the furniture and do not stack anything on it.

Check List

- The crib is ready for use only when the locking mechanisms are engaged. Please check carefully that they are fully engaged before using the folding crib.
- Always check the frame is free from damage before use. Do not use product if any fracture is present.
- Regularly check that all assembly fittings are always tightened properly and retighten as necessary.

After Sales Service

When you receive your bloom product, if you need assistance, spare parts or if you have any comments with respect to any aspect of the goods please contact bloom by email at service@bloombaby.com. Our trained advisors will be able to help. You can also visit our

website at bloombaby.com for latest product information.

Your feedback and input enables bloom to continue to make improvements. Please send your comments regarding this product to service@bloombaby.com.

nous vous remercions d'avoir choisi le lit urbain alma papa™. avec ses lignes contemporaines s'intégrant dans les habitats modernes, et son système de pliage unique, alma papa™ est pratique à ranger et à déplacer de pièce en pièce.

**IMPORTANT – CONSERVEZ
CE MANUEL POUR
CONSULTATIONS
FUTURES: LISEZ CE
MANUEL ATTENTIVEMENT
AVANT ASSEMBLAGE ET
UTILISATION DE CE PRODUIT.**

Retirez tous les éléments de packaging avant utilisation.

Recommandation d'âge

Ce lit est recommandé pour les enfants de la naissance à 4 ans.

Information Produit

Ce lit bébé a été conçu et testé pour garantir la conformité avec les normes de sécurité les plus récentes en vigueur.

- Utilisable de la naissance jusqu'à 4 ans – du berceau au lit enfant
- Pliage unique pour un rangement facile – pas de risque d'égarer de petites pièces
- Sommier réglable sur 2 hauteurs pour un accès facile
- Design contemporain
- 4 roulettes incluses

Modèle No.: 10353

Modèle déposé

Coloris et contenus non contractuels

NOTE: L'assemblage doit être fait par un adulte. Si vous restaurez votre lit, utilisez des produits approuvés pour un usage spécifique enfants.

Liste des pièces

- #01 x 2 – Tête et pied de lit
- #02 x 2 – panneaux latéraux
- #03 – sommier
- #04a x 2 – taquets latéraux
- #04b x 2 – taquets latéraux
- #05 x 2 – taquets d'extrémité
- #06 x 2 – barre de renfort
- #07 – (outil) clé
- #08 x 26 – visserie
- #09 x 4 – roulettes
- #10 x 4 – visserie - long

Instructions pour une utilisation en toute sécurité – Lisez attentivement ce manuel et gardez le pour futures consultations.

Si vous utilisez et entretenez correctement votre lit bébé, vous pourrez l'utiliser longtemps sans aucun souci. Lorsqu'une tiers personne utilise votre lit bébé, assurez vous qu'elle sait comment l'utiliser, comment le régler, et qu'elle connaît les précautions de sécurité nécessaires. La sécurité de votre enfant est de votre responsabilité.

Choix de la hauteur du sommier

Le sommier peut être positionné à différentes hauteurs. Votre produit est livré avec les taquets fixés à la hauteur la plus élevée. Cette position ne doit être utilisée que de la naissance jusqu'à environ 6 mois, âge à partir duquel votre enfant peut se tenir assis seul.

AVERTISSEMENT

AFIN D'ÉVITER TOUTE CHUTE, LE SOMMIER DE CE LIT DOIT ÊTRE INSTALLÉ DANS LA POSITION BASSE AVANT QUE VOTRE ENFANT NE SOIT EN ÂGE DE S'ASSEOIR SEUL.

1 - 10 Montage du lit

- (#02 panneaux latéraux, #04a & b taquets latéraux, #07 outil - clé, #08 visserie) installez les 4 taquets latéraux sur l'intérieur des panneaux latéraux dans la position haute en les vissant à l'aide de la clé fournie. Vous trouverez la clé dans le sac avec les roulettes (voir illustration 1 & 2)

- (#01 tête et pied de lit, #02 panneaux latéraux, #07 outils – clé, #08 visserie) Connectez les deux panneaux latéraux au panneau de tête de lit en serrant les visses à l'aide de la clé fournie. Assurez-vous que les faces des panneaux avec les taquets soient orientées vers l'intérieur du lit. (voir illustrations 3)
- Assemblez ensuite le panneau de pied de lit en serrant les visses à l'aide de la clé fournie. (voir illustration 4)
- (#07 outils – clé, #10 visserie - long) Serrez ensuite les pieds des panneaux à l'aide de la clé fournie. (voir illustration 5)
- (#06 barre de renfort) Placez la barre de renfort sur les encoches situées en bas de chacun des deux panneaux latéraux. Assurez-vous que les tourillons sur la barre de renfort soient bien rentrés dans les encoches. (voir illustration 6)
- (#03 sommier) Placez le sommier à l'intérieur du lit, en appui sur les taquets. Vérifiez qu'il est dans le bon sens – la face du dessus est celle avec les étiquettes.
- Installez le sommier sur les taquets situés aux extrémités des panneaux en serrant les écrous à l'aide de la clé fournie.
- Rangez la clé fournie dans un endroit sûr pour utilisation future.
- Le lit est à présent entièrement monté.

11 - 16 Pour installer le sommier en position BASSE

- (#04a & b taquets latéraux, #05 taquets d'extrémité) Retirez les 6 taquets de la structure du lit (taquets latéraux x 4 + taquets

d'extrémité x 2) en retirant les visses à l'aide de la clé fournie.

- Remontez les 6 taquets à la hauteur désirée en les revissant à l'aide de la clé fournie. Vérifiez bien que les taquets d'extrémité soient bien montés dans le bon sens. (voir illustration 14)

! AVERTISSEMENT

Afin d'éviter toute blessure liée aux chutes, vous devez cesser d'utiliser ce produit dès que votre enfant est capable de sortir seul du lit.

Pensez alors à convertir votre lit en lit junior grâce au panneau « junior » disponible en option.

Transformation en lit junior

Un panneau spécial lit junior est disponible en option. Contactez votre revendeur ou bloombaby.com pour plus de détails.

17 - 18 Assemblage des Roulettes

- 4 roulettes avec frein sont incluses. Leur utilisation n'est pas obligatoire.
- Si vous choisissez d'utiliser les roulettes, vous devez impérativement installer les 4 roulettes et mettre systématiquement les freins lorsque vous faites usage du lit.
- (#09 roulettes) Montez les roulettes en les vissant dans les trous prévus à cet effet en tournant les boulons jusqu'à ce qu'ils soient serrés.
- Pour mettre les freins, rabattez vers le bas les leviers qui se trouvent sur chaque roue.

- Pour enlever les freins monter les leviers de chaque roue.
- Pour retirer les roues dévissez les boulons jusqu'à ce que les roues soient enlevées.

19 - 20 Rangement

- Avant de replier votre lit alma papa, retirez le matelas.
- Retirez ensuite le sommier (desserrer les boulons sur les deux extrémité de la base du lit).
- Le lit face à vous, pliez les grands cribés du lit en poussant vers l'intérieur. Ne forcez pas. Vérifiez que le pliage s'effectue correctement dans la bonne direction. (voir illustration 20)

Matelas

- Le matelas n'est pas inclus dans le lit bébé. Vous pouvez l'acheter séparément. Utilisez toujours un matelas avec le lit bébé.
- La taille minimale du le matelas pour les lit bébé alma papa 120cm / 47½" x 60cm / 23½", et l'espace qui se trouve entre le matelas et la structure ne doit pas dépasser 2.5cm / 1".
- L'épaisseur du matelas ne doit pas dépasser les marques de niveau "↕" » situées sur la face interne de chaque cribé du lit (voir illustrations 10 & 16). La distance entre le dessus du matelas et le haut du lit doit être au minimum de 57cm / 22½" avec le sommier en position basse et de 31cm / 12¼" lorsque le sommier est en position haute.
- Si vous utilisez des mauvaises dimensions de matelas, vous pourriez avoir des espaces

dangereux entre le matelas et le lit qui provoqueraient des risques de suffocation. un matelas trop épais réduirait la hauteur entre le matelas et le bord du lit risquant d'occasionner la chute de votre enfant hors du lit.

! AVERTISSEMENTS:

- **Si vous utilisez le lit avec un plan à langer:**
! AVERTISSEMENT:
risque de strangulation: attachez toujours fermement les 2 sangles fournies que vous utilisez le lit comme parc, berceau ou lit. Si l'une des sangles n'était pas correctement attachée, un enfant pourrait soulever et faire basculer le plan à langer, risquant de se trouver coincer entre le plan à langer et la structure du lit.
- **! AVERTISSEMENT: Ne placez pas le lit bébé à proximité d'un feu ou de toute source de forte chaleur d'origine électrique ou gaz, au risque de provoquer un départ d'incendie.**
- **! AVERTISSEMENT: Ne pas utiliser le lit bébé s'il est cassé, endommagé ou s'il lui manque des pièces. N'utilisez que les pièces de rechange agréées par le fabricant.**
- **! AVERTISSEMENT: Ne laissez aucun objet à l'intérieur du lit qui pourraient servir d'appui pour grimper et ne laissez pas le lit à proximité d'objets dangereux d'objets qui pourraient provoquer un risque de suffocation ou de strangulation, comme par**

exemple ficelles, rideaux, etc....

- **⚠️AVERTISSEMENT:** Ne pas superposer plusieurs matelas dans le lit.
- Vérifier attentivement que les mécanismes de verrouillage sont bien installés avant d'utiliser le lit.
- La position du sommier la plus basse est la plus sûre. Utilisez-là systématiquement dès que l'enfant est en âge de s'asseoir seul.
- Tout l'assemblage doit être correctement fait et assurez-vous que l'installation est vérifiée de façon régulière et consolidée si nécessaire.
- Pour éviter tout risque de chute, si l'enfant est capable de sortir seul du lit bébé, transformez le lit bébé en lit junior en enlevant les panneaux latéraux.
- **⚠️AVERTISSEMENT:** Le non respect des avertissements que nous vous communiquons pourrait entraîner des risques de blessures graves ou de mort.
- **⚠️AVERTISSEMENT:**
 - Un enfant peut suffoquer
 - Dans les écarts entre le matelas et la structure de lit du fait d'un matelas trop petit ou pas assez épais.
 - N'ajoutez JAMAIS de matelas supplémentaire, oreiller, coussin, couette...
- **⚠️AVERTISSEMENT:** Les dimensions du matelas utilisé pour ce lit doivent être d'au moins 120 cm / 47¼ pouces de longueur, 60 cm / 23½ pouces de largeur et de 4 pouces / 10 cm d'épaisseur maximale.
- **⚠️AVERTISSEMENT:** Assurez-vous que les loquets sont bien fermés.
- **⚠️AVERTISSEMENT:** Les cordes présentent un risque de strangulation ! Ne placez pas d'article contenant une corde ou ressemblant à une corde autour du cou de votre enfant tels qu'un capuchon, un collier, etc... Ne suspendez JAMAIS autour du lit des produits ou des jouets avec une corde.
- **⚠️AVERTISSEMENT:** N'utilisez plus le lit bébé lorsque votre enfant est capable d'en sortir ou si sa taille est supérieure à 89cm / 35 pouces.
- **⚠️AVERTISSEMENT:** Lorsque votre enfant est capable de se mettre debout tout seul, retirez du lit tous les objets ou jouets qui puissent lui permettre de monter dessus et escalader pour sortir du lit.
- **⚠️AVERTISSEMENT:** Le produit, y compris les rails latéraux doivent être complètement montés avant toute utilisation.
- **⚠️AVERTISSEMENT:** Ne mettez jamais le lit à proximité d'un fenêtre. Votre enfant court un risque de strangulation avec les cordes des stores ou des rideaux.
- **⚠️AVERTISSEMENT:** Utilisez uniquement le matelas fourni par le fabricant (le matelas doit avoir les dimensions suivantes: 120 cm / 47¼ pouces de longueur, 23½ pouces / 60 cm de largeur et l'épaisseur ne doit pas dépasser 10 cm / 4 pouces).
- **⚠️AVERTISSEMENT** Accorder le plus de surveillance possible à votre enfant lorsqu'il

se trouve dans le lit. En particulier, pendant les périodes de jeux durant lesquelles votre enfant est éveillé, ne le laissez jamais sans surveillance.

- **⚠️ AVERTISSEMENT:** Pour éviter tout risque de mort subite du nouveau-né, les pédiatres recommandent que les bébés dorment sur le dos, sauf avis médical contraire.
- **⚠️ AVERTISSEMENT:** N'utilisez jamais ce produit s'il vous manque ou si vous avez perdu des attaches, des joints, ou s'il y a des pièces cassées. Vérifiez que toutes les pièces sont en bon état avant le montage et assurez-vous régulièrement qu'elles sont bien fixées. Ne remplacez jamais vous-même les pièces. Utilisez uniquement les pièces fournies par le fabricant. Contactez Bloom si nécessaire.
- **⚠️ AVERTISSEMENT:** N'utilisez jamais de sac en plastique ou autre sorte de couverture plastique pour couvrir le matelas (qui ne serait prévu à cet effet) qui pourraient entraîner des risques de suffocation.
- N'utilisez jamais un matelas à eau dans ce lit bébé.
- Si vous décidez de repeindre ou vernir le lit utilisez des produits homologués pour les meubles destinés aux enfants. Ne vous allongez pas avec votre enfant dans le lit bébé, vous risqueriez de dépasser les limites de poids
- La pose d'une moustiquaire ou d'un drap par dessus le lit présente un risque mortel pour l'enfant qui pourrait s'y coincer. Ne

jamais rajouter de tels éléments sur le lit.

- Si vous restaurez votre lit, utilisez des produits approuvés pour un usage spécifique enfants.

IMPORTANT!

- Avant de procéder au montage du lit, lisez attentivement les instructions. Un mauvais montage pourrait rendre le lit dangereux.
- N'utilisez pas ce lit s'il est cassé, endommagé ou s'il lui manque une pièce.
- Pour prévenir tout risque de chute, ne pas utiliser le lit avec le sommier en position haute lorsque l'enfant est capable de s'asseoir seul.
- Ne laissez aucun objet (ou jouet) qui pourrait servir de marchepieds à votre enfant (pour éviter qu'il puisse tomber du lit en l'escaladant).
- Ne laissez pas le lit bébé à proximité de feu ou autres sources de forte chaleur, telles que les radiateurs, les cheminées ou des flammes.
- Ne laissez aucune corde ou câble dans le lit.
- Ne laissez aucun médicament ou petite pièce à portée de votre enfant, car il pourrait les avaler.
- Ne posez JAMAIS le lit bébé sur une surface surélevée.
- Si les roulettes sont usées, assurez-vous que les freins sont enclenchés et que le lit bébé ne bouge plus.
- Si vous décidez de repeindre ou vernir le lit utilisez des produits homologués pour les meubles destinés aux enfants.

Entretien et nettoyage

- Pour nettoyer le lit utilisez un produit non toxique et non abrasif. Mélangez une petite quantité de votre détergent doux avec de l'eau. Appliquez sur les surfaces du lit à l'aide d'un torchon humide.
- Lorsque vous déplacez le lit sans les roulettes, soulevez-le pour éviter d'endommager les pieds.
- Il est important que la chambre où se trouve le lit ait un degré d'humidité correct (ni trop bas ni trop élevé). Le lit ne doit pas être installé à proximité des bouches d'air conditionné, des radiateurs, des humidificateurs,... De fortes variations de chaleur et d'humidité peuvent endommager le bois de ce produit.
- N'exposez pas ce lit bébé directement aux rayons de soleil. Les rayons UV pourraient altérer les couleurs du bois (en les fonçant) et provoquer des craquelures du vernis. Avec le temps les parties blanches vont un peu foncer sous l'action du soleil, le bois étant une matière naturelle, nous ne considérons pas cela comme un défaut de qualité.
- Si vous devez ranger ou stocker votre lit pendant une longue période, placez le dans un endroit ni trop chaud ni trop humide. Aérer la pièce et n'empilez pas d'objet sur le lit.

Vérifications

- Le lit bébé sera prêt à être utilisé lorsque tous les mécanismes de montage seront bien verrouillés. Il est important de bien s'assurer que le lit est parfaitement monté pour la sécurité de votre enfant.

- Vérifiez toujours qu'aucune pièce n'est endommagée. Ne l'utilisez pas si vous constatez une pièce abîmée.
- Vérifiez régulièrement que tous les mécanismes de verrouillage sont bien serrés. Resserrez-les si nécessaire.

Service après-vente

Lorsque vous recevez un produit bloom, si vous avez besoin d'assistance, pièces détachées, ou si vous avez besoin de nous faire part de vos commentaires pour n'importe quel sujet sur nos produits, contactez-nous par email à service@bloombaby.com. Nos conseillers seront à votre écoute pour vous apporter une réponse. N'hésitez pas à consulter notre page web bloombaby.com pour connaître les dernières informations nouveautés.

Vos commentaires et vos suggestions permettent à bloom de continuer à s'améliorer. N'hésitez pas à nous les communiquer à cette adresse email: service@bloombaby.com.

le agradecemos que haya elegido la cuna urbana alma papa™ de tamaño europeo. con sus líneas contemporáneas, alma papa™ complementa el estilo de casas modernas y su innovador diseño plegable es práctico para guardar la cuna y obtener más movilidad en la habitación.

**IMPORTANTE! CONSERVE
ESTE MANUAL
PARA FUTURAS
CONSULTAS: LEER
ATENTAMENTE ANTES DE
MONTAR Y UTILIZAR.**

Retire el embalaje antes de usar.

Edad recomendada

Recomendado para uso de recién nacidos hasta 4 años.

Información del producto

Esta cuna ha sido concebida y testada para responder a las exigencias de las normas de seguridad más actuales.

- Convertible de cuna de recién nacido a cama de niño.
- Sistema de plegado compacto, sin partes pequeñas que se puedan perder
- Colchón con diferentes alturas para un mejor acceso al recién nacido
- Diseño contemporáneo
- 4 ruedas incluidas

Modelo No.: 10353

Pendiente de patente

Los colores y contenidos pueden variar

NOTA: El montaje debe ser realizado por un adulto.

En caso de repintar, usar una pintura no tóxica específica para productos infantiles.

Lista de partes

- #01 x 2 – cabecera
- #02 x 2 – paneles laterales
- #03 – somier
- #04a x 2 – soporte lateral
- #04b x 2 – soporte lateral
- #05 x 2 – soportes para las cabeceras
- #06 x 2 – barra de soporte
- #07 – (herramienta) llave hexagonal
- #08 x 26 – tornillos
- #09 x 4 – ruedas
- #10 x 4 – tornillos - largo

Instrucciones para un uso seguro

– Leer con atención y guardar las instrucciones para futuras consultas

La utilización y mantenimiento correctos de su cuna/cama le permitirán usarla mucho tiempo y sin ningún problema. Si alguien más utiliza su cuna, asegúrese de que conoce bien su funcionamiento, cómo ajustarla y sus reglas de seguridad. La seguridad de su niño es su responsabilidad.

Escoger la altura del somier

El somier puede ser colocado en diferentes alturas. Los soportes laterales para el somier vienen pre-ensamblados en la altura superior. Esta altura superior debe ser utilizada ÚNICAMENTE para bebés recién nacidos y hasta aproximadamente los 6 meses de edad o hasta que el bebé se pueda sentar por sí mismo.

ADVERTENCIA

PARA PREVENIR CAÍDAS, EL SOMIER DE LA CUNA DEBE SER COLOCADO EN LA POSICIÓN MÁS BAJA ANTES DE QUE EL NIÑO PUEDA LEVANTARSE POR SÍ MISMO.

1 - 10 Instalación de la cuna

- (#02 paneles laterales, #04a & b soporte lateral, #07 herramienta - llave hexagonal, #08 tornillos) monte los 4 soportes laterales en el nivel superior de los paneles laterales ajustando los tornillos con la herramienta provista para ello (llave hexagonal). Usted

encontrara la llave hexagonal junto con las ruedas. (ver ilustración 1 & 2)

- (#01 cabeceras, #02 paneles laterales, #07 herramienta – llave hexagonal, #08 tornillos) Junte los dos paneles laterales con una de las cabeceras ajustando los tornillos con la herramienta (llave hexagonal) provista. Asegúrese que los paneles laterales con los soportes laterales miren hacia el interior de la cuna. (ver ilustración 3)
- Ensamble la otra cabecera ajustando los tornillos con la herramienta (llave hexagonal) provista para ello. (ver ilustración 4)
- (#07 herramienta – llave hexagonal, #10 tornillos - largo) Ajuste los tornillos de las cabeceras con la herramienta (llave hexagonal) provista para ello. (ver ilustración 5)
- (#06 barra de soporte) Introduzca la barra de soporte en las aberturas que se encuentran en la parte inferior de los paneles laterales y asegúrese de que los extremos de la barra de soporte estén correctamente colocados. (ver ilustración 6)
- (#03 somier) Instale el somier dentro de la cuna sobre los soportes. La parte superior del somier es la que tiene inscrita las menciones de seguridad.
- Montar el somier sobre los dos soportes apretando los tornillos con la llave allen incluida.
- Guarde la herramienta (llave hexagonal) en un lugar seguro para un futuro uso.
- La cuna ya está lista para ser utilizada.

11 - 16 Cambiar la altura del somier a la posición inferior

- (#04a & b soportes laterales, #05 soportes para las cabeceras) Quite los 6 soportes para el somier de la estructura (soportes laterales x 4 + soportes para las cabeceras x 2) desatornillando los tornillos con la herramienta provista (llave hexagonal).
- Montar los 6 soportes para el somier en la altura deseada. Asegurar los tornillos con la herramienta incluida (llave hexagonal). Asegurarse de que los soportes para las cabeceras están ensamblados correctamente. (ver ilustración 14)

ADVERTENCIA

PARA PREVENIR HERRIDAS PROVOCADAS POR CAÍDAS, LA CUNA DEBE DEJAR DE SER UTILIZADA UNA VEZ QUE EL NIÑO PUEDA SALIR DE ELLA POR SÍ MISMO.

Considere la posibilidad de convertir la cuna en modo niño utilizando el panel opcional.

Modo de cuna/cama para niños

Un riel opcional para la cuna está disponible como accesorio. Contacte con su tienda o con bloombaby.com para más detalles.

17 - 18 Montaje de las ruedecillas

- 4 ruedecillas con freno están incluidas. El uso de estas ruedecillas es opcional.
- Si decide usar las ruedecillas, ponga siempre el freno mientras esté el niño dentro de la cuna.

- (#09 ruedecillas) Atornille cada ruedecilla debajo de cada pata de la cama en los huecos previstos.
- Para poner los frenos, presione hacia abajo las palancas situadas en cada ruedecilla.
- Para quitar el freno, presione hacia arriba las palancas situadas en cada ruedecilla.
- Para desmontar las ruedecillas, destornillelas.

19 - 20 Para plegar la cuna

- Antes de plegar la cuna, retire el colchón.
- Retire el somier (Aflojar los tornillos de los dos extremos del somier).
- Ponga la cuna frente a usted, pliegue los laterales empujando hacia adentro, sin forzarla. Asegúrese de que el plegado se haga en la dirección correcta. (ver ilustración 20)

Colchón

- El colchón no está incluido con la cuna/cama urbana. Puede ser adquirido por separado. Siempre utilice un colchón en su cuna.
- La dimensión mínima del colchón que debe utilizar en su cuna/cama alma papa tiene que ser 120cm / 47½" x 60cm / 23½" y el espacio entre el colchón y los lados de la cuna tiene que ser inferior a 2.5cm / 1".
- El espesor del colchón no tiene que sobrepasar las marcas de nivel "↑" situadas en la parte interior de cada lado de la cuna. La distancia entre la parte de arriba del colchón y lo alto de la cuna tiene que ser mínimo de 57cm / 22½" con el somier en la posición baja y de mínimo 31cm / 12¼" con el

somier en la posición alta.

- La utilización de un colchón con unas dimensiones inferiores puede provocar espacios vacíos entre el colchón y la cuna lo que puede ser peligroso para el niño (riesgo de asfixia). Un colchón demasiado grueso puede provocar la caída del niño.

! ADVERTENCIAS

- **En caso de utilizar la cuna con un cambiador:**
 - ⚠ **ADVERTENCIA: Riesgo de estrangulación: Siempre ajuste correctamente las dos correas cuando utiliza el cambiador en una cuna. Si alguna de las dos correas no está correctamente asegurada, un niño jugando puede levantar o mover el cambiador y su cuello puede quedar atrapado entre éste y el marco de la cuna.**
- ⚠ **ADVERTENCIA: Tener alejada la cuna de todo riesgo de fuego y fuerte temperatura que pueda producir una fuente de calor importante tal como la chimenea, la encimera de la cocina, etc...**
- ⚠ **ADVERTENCIA: No utilizar la cuna si le falta alguna pieza o si tiene alguna pieza rota. Utilice únicamente las piezas de recambio que le suministre el fabricante.**
- ⚠ **ADVERTENCIA: No deje ningún objeto dentro de la cuna y no la instale cerca de objetos que puedan servir de escalón o que tengan riesgo de asfixia o estrangulamiento como por ejemplo, las cuerdas de una cortina.**

- **⚠️ ADVERTENCIA:** Utilizar sólo un colchón dentro de la cama.
- Verifique atentamente que los mecanismos de cierre estén bien puestos antes de utilizar la cuna.
- La altura inferior del colchón es la mas segura, por lo tanto debe ser utilizada una vez que el bebé pueda levantarse por sí mismo.
- Todas las piezas de montaje tienen que estar instaladas correctamente y con firmeza. Verifiquelas de vez en cuando y asegúrese de que los tornillos están bien fijados si es necesario.
- Para evitar todo riesgo de herida causada por una caída, no utilice la cuna a partir del momento en que el niño pueda salir de ella solo.
- **⚠️ ADVERTENCIA:** Si no respetan estas instrucciones y advertencias, corren el riesgo de provocar heridas graves o mortales.
- **⚠️ ADVERTENCIA:**
Los niños tienen riesgo de asfixia:
– en los espacios muy grandes o muy densos entre el colchón y la estructura de la cuna
– con las sábanas, mantas
NUNCA añadir un colchón suplementario, almohada o colchón de plumas
- **PRECAUCION:** Todo colchón que se utilice en esta cuna tiene que medir por lo menos 120cm / 47¼” de largo, 60cm / 23½” de ancho y no más de 10cm / 4” de grueso.
- **⚠️ ADVERTENCIA:** Asegúrese de que los pestillos estén siempre bien cerrados.
- **⚠️ ADVERTENCIA:** Las cuerdas y los cordones tienen riesgo de estrangulación! NO ponga objetos que tengan una cuerda o un cordón cerca del cuello del niño como las capuchas o las cadenitas para chupetes. No cuelgue encima de la cuna ningún objeto como un juguete o un peluche.
- **⚠️ ADVERTENCIA:** Deje de utilizar el producto una vez que el niño pueda salir de la cuna o haya alcanzado la altura del 89cm / 35”).
- **⚠️ ADVERTENCIA:** Una vez que el niño pueda levantarse por sí mismo, coloque el colchón y el somier en la posición inferior y retire las protecciones, juguetes y todo tipo de objeto que sirva de escalón para trepar.
- **⚠️ ADVERTENCIA:** El producto, incluidos los rieles laterales debe ser abierto completamente antes de su uso.
- **⚠️ ADVERTENCIA:** No ponga nunca la cuna cerca de una ventana donde el niño se pueda estrangular con las cuerdas de las cortinas o de las persianas.
- **⚠️ ADVERTENCIA:** Utilice ÚNICAMENTE el colchón que suministra el fabricante (que tiene que ser de mínimo 120cm / 47¼” de largo por 60cm / 23½” de ancho con grueso máximo de 10cm / 4”).
- **⚠️ ADVERTENCIA:** Ponga la atención necesaria a la seguridad de su niño. Si utiliza la cuna como área de juego no la deje nunca sin vigilancia.

- **⚠️ ADVERTENCIA:** Para reducir al máximo el riesgo de muerte súbita del recién nacido, los pediatras recomiendan que el niño duerma sobre la espalda, a no ser que su médico recomiende para su hijo otra posición.
- **⚠️ ADVERTENCIA:** No utilice nunca este producto si falta alguna pieza o si una pieza está rota. Verifique estos elementos antes del montaje y regularmente. Contacte con bloom para obtener repuestos, nunca sustituya ninguna pieza.
- **⚠️ ADVERTENCIA:** No utilice nunca bolsas de plástico u otros tipos de fundas de plástico para proteger los colchones salvo los que estén diseñados y destinados para dicho uso. De lo contrario existe riesgo de asfixia.
- No utilice nunca un colchón de agua con la cuna.
- El niño puede quedar atrapado y morir en caso de improvisar una red o si una manta se colocan en la parte superior de un bebé a producto / cuna / cama. Nunca añada elementos tales para confinar al niño al bebé a producto / cuna / cama.
- En caso de repintar, usar una pintura no tóxica específica para productos infantiles.

IMPORTANTE

- Antes de montar la cuna/cama, asegúrese de haber leído y entendido las instrucciones. Una cuna mal montada puede ser peligrosa para el niño.
- No utilice esta cuna si falta alguna pieza o si

esta rota o torcida.

- Para prevenir caídas, la cuna no debe ser utilizada con el somier en la posición superior una vez que el niño pueda sentarse por sí mismo.
- No dejar objetos dentro de la cuna (juguetes por ejemplo) que puedan servir a un niño para escalar.
- No usar la cuna cerca de ninguna fuente de calor como la chimenea, un calentador solar o donde haya fuego.
- Mantenga la cuna alejada de todo tipo de cuerdas o cordones y de cables.
- Mantenga los medicamentos y artículos pequeños que un niño pueda tragar alejados de la cuna.
- No ponga la cuna alta en alturas elevadas.
- Cuando vaya a utilizar las ruedas, asegúrese de que los frenos están bien puestos.
- En caso de querer pintar de nuevo la cuna, asegúrese de hacerlo con un producto no tóxico que sea apto para niños.

Limpieza y Mantenimiento

- Para limpiar la cuna utilice un producto que no sea tóxico ni abrasivo. Puede utilizar por ejemplo un detergente suave, que no sea tóxico. Disuélvalo en agua y limpie la cuna con una esponja húmeda.
- Si desea desplazar la cuna sin las ruedecillas, levántela y desplácela. No la arrastre para evitar estropear las patas de la cuna.
- Controle el nivel de humedad de la habitación. No ponga la cama cerca de un

aire acondicionado, ni de una chimenea, ni de un radiador, ni de un humidificador, ni de un deshumidificador. Una exposición de la cuna a importantes cambios de temperatura puede estropear la madera.

- No deje la cuna en exposición directa al sol. Los rayos UV pueden oscurecer el color de la madera. y agrietar el barniz. Con el tiempo las terminaciones blancas terminarán por ponerse amarillas de manera natural y la exposición al sol acelerará este proceso. Esto no está considerado como un problema de calidad.
- Cuando pliegue su cuna, aunque sea por poco tiempo, guárdela en un sitio que no esté húmedo ni con fuentes de calor. No deposite nada encima de la cuna.

Verificaciones

- La cuna no se puede utilizar mientras los mecanismos de cierre no estén bien asegurados y apretados. Asegúrese antes de utilizar la cuna.
- Verifique de vez en cuando que la estructura está en perfecto estado. No utilice este producto si detecta alguna fisura en la estructura.
- Verifique regularmente que todos los elementos de montaje están bien apretados y ensamblados. No dude en apretar bien los tornillos si es necesario.

Servicio post-venta

Cuando ha adquirido un producto bloom, si necesita asistencia, piezas de recambio o

si tiene algún comentario que hacer sobre cualquier tema, no dude en contactar con bloom por email a service@bloombaby.com. Nuestro equipo de atención al cliente está perfectamente entrenado y le dará toda la información necesaria. También puede consultar nuestra página web bloombaby.com para descubrir nuestras últimas novedades.

Sus comentarios y sugerencias permiten a bloom mejorar sus productos. No dude en enviar sus comentarios sobre este producto a service@bloombaby.com.

vielen Dank, dass Sie sich fuer den alma papa™ bett entschieden haben. Mit seiner einzigartigen Klapp-Design ist die Lagerung und Tragbarkeit somit problemlos geloest.

**WICHTIG! Heben Sie diese
Gebrauchsinformationen
auf. Lesen Sie die
Anleitung sorgfältig
vor der Montage und
der Verwendung des
Produkts!**

**Vor Gebrauch alle
Verpackungsmaterialien entfernen**

Altersempfehlung

Das Bett wird für Kinder von der Geburt bis zu 4 Jahren empfohlen.

Produktinformation

Dieses Bett wurde unter Berücksichtigung der neuesten, einschlägigen Sicherheitsnormen entwickelt und getestet.

- Für Neugeborener bis zum Schulkind. Vom Kleinkindbett bis zum Kinderbett
- Klapp-Design für einfache Lagerung – Kleinteile gehen nicht verloren
- Höhenverstellbarkeit für einen einfachen Zugang zum Kind
- Sehr stilvoll
- Enthält 4 abschliessbare Rollen

Modell No.: 10353

Patent angemeldet

Farbe & Inhalt können abweichen

HINWEIS: Montage nur durch Erwachsene. Bei Nacharbeiten, verwenden Sie nur nicht toxische Produkte, die speziell für Kinder hergestellt sind.

Bauteilliste

- #01 x 2 – Endteile
- #02 x 2 – Seitenteile
- #03 – Boden
- #04a x 2 – Seitenstangen
- #04b x 2 – Seitenstangen
- #05 x 2 – Bodenstange
- #06 x 2 – Querstange
- #07 – (Werkzeug) Hex-Schlüssel
- #08 x 26 – Schrauben
- #09 x 4 – Rollen
- #10 x 4 – Schrauben - lang

Sicherheitshinweise - Lesen Sie die Anleitung sorgfältig durch und heben Sie sie für künftige Referenz auf

Die richtige Verwendung und Wartung Ihres Babybettes wird für eine lange und störungsfreie Nutzung sorgen. Wenn jemand anderes Ihr Kinderbett nutzt, stellen Sie bitte sicher, dass diese Person über die Nutzung, Verstellungsweise und die notwendigen Sicherheitsvorkehrungen genauestens informiert ist. Die Sicherheit Ihres Kindes liegt in Ihrer Verantwortung.

Unterschiedliche Höheneinstellung der Bodenplatte

Die Bodenplatte kann in 2 unterschiedlichen Höhen eingestellt werden. Hauptfunktion für die Bodenplatte ist die untere Einstellung. Die höhere Position kann NUR für Kinder und Neugeborenen bis zu einem Alter bis zu 6 Monaten genutzt werden, solange sich das Kind nicht aufrichten kann.

WARNUNG

Um ein Herausfallen des Kindes zu vermeiden, müssen Sie die Bodenplatte auf die untere Position einstellen, bevor das Kind sich aufrichten kann.

1 - 10 Aufbau des Kinderbettes

- (#02 Seitenteile, #04a & b Seitenstangen, #07 Werkzeug - Hex-Schlüssel, #08 Schrauben) Montieren Sie die 4 Seitenstangen auf der

oberen Ebene der Seitenteile mit Hilfe von Werkzeugen, die inbegriffen sind (Hex-Schlüssel). Den Hex-Schlüssel finden sie zusammen mit den Laufrollen. (siehe Abbildung 1 & 2)

- (#01 Endteile, #02 Seitenteile, #07 Werkzeug – Hex-Schlüssel, #08 Schrauben) Ein Endteil und Seitenteile mit Hilfe von Schrauben zusammenbauen (Werkzeuge sind inbegriffen). Achten Sie darauf, dass die Seiten mit Stangen nach Innen montiert werden. (siehe Abbildung 3)
- Anschliessend das andere Endteil mit Hilfe von Schrauben und Hex-Schlüssel montieren. (siehe Abbildung 4)
- (#07 Werkzeug – Hex-Schlüssel, #10 Schrauben - lang) Die Pfosten der Endteile mit den Seitenteile fest zusammenschrauben. (siehe Abbildung 5)
- (#06 Querstange) Setzen Sie die Querstange auf die Tröge, die sich auf der Unterseite der Seitenteile befindet. Vergewissern Sie sich, dass die Spitzen der Querstange nach unten gerichtet sind. (siehe Abbildung 6)
- (#03 Boden) Legen Sie die Bodenplatte innerhalb des Kinderbettes. Vergewissern Sie sich, dass die richtige Seite (Seite mit Etikett) nach oben gestellt ist.
- Montieren Sie den Lattenrost auf die Enden der beiden Endplatten durch Anziehen der Schrauben mit dem enthaltenen Werkzeug (Hex-Schlüssel).
- Bewahren Sie die Werkzeuge (Hex-Schlüssel) an einem sicheren Ort fuer spätere Verwendung.

– Die Montage des Kinderbettes is nun fertig.

11 - 16 Einstellung der Bodenplatte in eine untere Ebene

- (#04a & b Seitenstangen, #05 Bodenstangen) Entfernen Sie alle 6 Stangen vom Rahmen (Seitenstangen x 4 + Bodenstangen x 2) durch Lösen der Schrauben mit dem Hex-Schlüssel.
- Montieren Sie die 6 Stangen in eine beliebige Ebene mit Schrauben und Hex-Schlüssel. Vergewissern Sie sich, dass die Seiten- und Bodenstangen auf der richtigen Seite montiert werden. (siehe Abbildung 14)

WARNUNG

Um Verletzungen zu vermeiden, bitte das Bett nicht mehr benutzen, wenn sich das Kind über die Stangen oder an den Stangen hochziehen kann.

Bedenken Sie, dass die Verarbeitung der Bettseitenteile für Kleinkinder produziert wurde.

Aufbau des Juniorbettes

Extra Bettschienen sind auf Wunsch verfügbar. Für mehr Information wenden Sie sich an Ihren Händler oder an bloombaby.com.

17 - 18 Die Rollenmontage

- 4 abschließbare Rollen sind inbegriffen. Die Verwendung dieser ist optional.
- Wenn Sie sich für die Rollen am Kinderbett entscheiden, sperren Sie die Bremsen der Laufrollen immer, wenn sie das Bett in Gebrauch

haben.

- (#09 Rollen) Befestigen Sie die Rollen indem Sie die 6-Kant Schrauben fest in das Gewinde drehen.
- So sperren Sie die Rollen, drücken Sie auf den Verriegelung - Hebel auf jeder Rolle.
- So entsperren Sie die Rollen, heben Sie den Hebel an jeder Rolle.
- So entfernen Sie die Rollen, lösen Sie die 6-Kant Schrauben einfach aus dem Gewinde.

19 - 20 Lagerung

- Um das alma papa Kinderbett zur Lagerung zusammen zu falten, entfernen Sie zuerst die Matratze.
- Nehmen Sie das Rost aus dem Rahmen
 - Lösen der Bolzen an beiden Enden des Bettbasis.
- Falten Sie die Seitenwänden nach innen und schieben Sie die Enden zusammen. Stellen Sie sicher, dass die Seiten in die richtige Richtung gefaltet sind. (siehe Abbildung 20)

Matratze

- Die Matratze kommt nicht mit dem Bett. Sie können sie aber separat erwerben. Verwenden Sie immer eine Matratze in Ihrem Klappbett.
- Die Mindestgröße der Matratze für das alma papa Bett sollte 120cm / 47½" x 60cm / 23½" sein und der Abstand zwischen der Matratze und den Seiten und Enden darf nicht mehr als 2.5cm / 1" sein.
- Die Matratzendicke darf nicht höher sein als dieses Zeichen "↑" auf der Innenseite,

welches für jede Höhe gekennzeichnet ist. Die Dicke der Matratze muss so beschaffen sein, dass die innere Höhe (die Oberfläche der Matratze vom oberen Rand des Bezugsrahmens) mindestens 57cm / 22½" an der niedrigsten Stelle des Rosts und mindestens 31cm / 12¼" an der höchsten Stelle des Rosts beträgt.

- Verwenden Sie eine falsche Matratzengröße entstehen gefährliche Lücken, die dazu führen können, dass Ihr Kind erstickt oder aus dem Kinderbett herausfällt.

! WARNUNGSHINWEISE

- **Wenn Sie das Kinderbett mit einem Wickeltisch benutzen:**

! WARNUNG: Erhängungsrisiko: Befestigen Sie die zwei mitgelieferten Bänder sicher, wenn Sie den Wickeltisch benutzen. Wenn der Gurt nicht sicher befestigt ist, kann sich der Wickeltisch leicht verschieben und das Kind kann herunterfallen und sich eventuell den Hals einklemmen.

- **! WARNUNG: Seien Sie sich der Gefahren und Risiken von offenem Feuer und anderen Quellen starker Hitze, wie Elektrizität, Gas-Feuer, usw. in der Nähe der Krippe bewusst.**
- **! WARNUNG: Verwenden Sie das Kinderbett nicht, wenn irgendein Teil defekt oder zerrissen ist, oder fehlt und verwenden Sie nur Originalersatzteile des Herstellers.**
- **! WARNUNG: Lassen Sie nichts im Kinderbett oder in der Nähe des Produktes, von dem die Gefahr des Strangulierens oder**

Erstickens ausgeht, z. B. Vorhangschnur, Kordel etc.

- **⚠️ WARNUNG:** Verwenden Sie nicht mehr als eine Matratze im Babybett.
- Überprüfen Sie sorgfältig, dass die Verriegelungsmechanismen eingerastet sind, bevor Sie das Kinderbett nutzen.
- Die niedrigste Einstellung ist die sicherste. Diese sollte immer genutzt werden, sobald sich das Kind aufrichten kann.
- Alle Schrauben sollten immer richtig festgezogen sein und regelmäßig überprüft und, wenn nötig, nachgezogen werden.
- Um Verletzungen durch Stürze zu verhindern, darf das Bett nicht mehr verwendet werden, sobald das Kind in der Lage ist selbständig aufzustehen.
- **⚠️ WARNUNG:** Missachtung der Anweisungen oder Warnungen können zu schweren Verletzungen oder sogar Tod führen.
- **⚠️ WARNUNG:**
Kleinkinder können ersticken
– In Lücken zwischen einer zu kleinen oder zu dicken Matratze und den Seitenwänden
– in flauschigem Bettbezug
Niemals eine Matratze, Kopfkissen, Decke oder Polster hinzufügen.
- **⚠️ WARNUNG:** Wir empfehlen nur die Original Matratzen /Polster des Herstellers (die mindestens 120cm / 47¼" lang von 60cm / 23½" breit und nicht mehr als 10cm / 4" dick sein sollten) zu verwenden.
- **⚠️ WARNUNG:** Vergewissern Sie sich, dass die Verschlüsse sicher sind.
- **⚠️ WARNUNG:** Gefahr vor das Erwürgen!
Legen Sie keine Gegenstände mit Schnuere um den Hals ihres Kindes, wie Kapuzebaender oder Schnuller-Schnuere. Bitte keine Schnuerre um Spielzeuge anhaengen.
- **⚠️ WARNUNG:** Benutzen Sie das Produkt bitte nicht, wenn das Kind in der Lage ist heraus zu klettern oder die Höhe 89cm / 35" erreicht.
- **⚠️ WARNUNG:** Matratze/Base in der niedrigsten Hoehe einstellen, wenn das Kind in der Standposition ist. Ebenfalls Schutzpolster, große Spielzeug und andere Gegenstände, die zum Ausstieg helfen können, entfernen.
- **⚠️ WARNUNG:** Das Produkt, einschließlich Seitenschiene, vor dem Gebrauch vollständig montieren.
- **⚠️ WARNUNG:** Das Produkt sollte niemals in der Nähe vom Fenster gestellt werden, wo Schnüre von Jalousien oder Vorhängen das Kind erwürgen könnte.
- **⚠️ WARNUNG:** Verwenden Sie nur Matratze/Matten, die vom Hersteller bereitgestellt sind. (Mindestmaße 120cm / 47¼" lang und 60cm / 23 ½" breit und nicht grosser als 10cm / 4" dick)
- **⚠️ WARNUNG:** Zur Sicherheit ihre Kindes. NIE ohne Beaufsichtigung alleine spielen lassen.
- **⚠️ WARNUNG:** Um das Risiko von SIDS zu verringern, wird von Kinderaerzten empfohlen, die Säuglinge beim Schlafen

auf den Ruecken zu legen, sofern nichts anderes von Ihrem Arzt beraten wurde.

- **⚠️ WARNUNG: Verwenden Sie niemals dieses Produkt, wenn Befestigungsteile fehlen oder Bauteile defekt sind. Prüfen Sie die Vollstaendigkeit der Bauteile vor der Montage. Wenn Ersatzteile benoetigt werden, kontaktieren Sie bitte bloom Mitarbeitern. Niemals eigene Ersatzbauteile verwenden.**
- **⚠️ WARNUNG: Verwenden Sie niemals Kunststoffaschen oder andere Kunststofffolien als Matratzenbezüge, die nicht zum Zweck dienen. Achtung Erstickungsgefahr!**
- **Verwenden Sie niemals eine Wassermatratze.**
- **Das Kind konnte eingeschlossen werden und stirbt, wenn ein improvisiertes Netz oder Deckel darauf über ein babybett in Standardgrose platziert ist. Nutzen Sie bitte nie diese Gegenstände, um ein Kind in einem babybett in Standardgrose zu sperren.**
- **Bei Nacharbeiten, verwenden Sie nur nicht toxische Produkte, die spezielle für Kinder hergestellt sind.**

WICHTIG!

- Vor der Montage des Kinderbetts lesen und verstehen Sie die Anweisungen. Eine falsche Montage kann zur Gefahr für Ihr Kind werden.
- Verwenden Sie dieses Kinderbett nicht, wenn irgendein Einzelteil defekt, zerrissen oder nicht vorhanden ist.

- Die Bodenplatte sollte nicht in der oberen Ebene eingestellt werden, wenn das Kind in der Sitzposition ist, um das Herausfallen des Kindes zu vermeiden.
- Lassen Sie keine Gegenstände (wie z.B. Spielzeug) im Kinderbett liegen. Sie könnten dem Kind ermöglichen aus einer erhöhten Position aus dem Kinderbett zu klettern.
- Plazieren Sie das Kinderbett nicht in direkter Nähe zu Heizkörpern, offenem Feuer oder anderen Wärmequellen.
- Lose Kabel, Schnüre und Leitungen sollten nicht in der Reichweite des Kinderbettes sein.
- Bewahren Sie keine Medikamente und kleine Gegenstände, an denen das Kind ersticken könnte, in der Nähe des Kinderbettes auf.
- Stellen Sie das alma papa Kinderbett nicht auf eine erhöhte Fläche.
- Wenn sie ein Kinderbett mit Rollen verwenden, stellen Sie sicher, dass die Rollen blockiert sind, wenn ein Kind unbeaufsichtigt im Kinderbett ist.
- Verwenden Sie zur Reinigung Produkte die für Kinder unbedenklich sind.

Pflege & Wartung

- Verwenden Sie zum Reinigen Ihres Kinderbettes nie giftige, aggressive oder scheuernde Reinigungsmittel. Reinigen Sie das Kinderbett mit einer Lösung aus Wasser und einer kleinen Menge mildem, nicht giftigem, Reinigungsmittel. Verwenden Sie zur Oberflächenreinigung ein feuchtes Tuch.
- Wenn Sie das Kinderbett ohne Rollen bewegen wollen, heben Sie immer das gesamte Bett an.

Vermeiden Sie es, das Bett zu schieben oder zu ziehen um Folgeschäden an den Füßen des Kinderbetts auszuschließen.

- Es ist wichtig, dass die Luftfeuchtigkeit in dem Raum, in dem das Kinderbett platziert wird, konstant und trocken bleibt. Vermeiden sie eine extrem hohe oder niedrige Luftfeuchtigkeit. Das Kinderbett sollte nicht in direkter Nähe zur Klimaanlage, Kamin, Heizkörper, Luftbefeuchter oder Entfeuchter stehen. Es könnten Schäden am Holz entstehen, wenn das Kinderbett extremen Schwankungen von Temperatur und Feuchtigkeit ausgesetzt ist.
- Setzen Sie das Kinderbett nicht dem direkten Sonnenlicht aus. UV-Strahlen können die Farben verblassen und in einigen Fällen verdunkeln lassen. Es kann dazu führen, dass Haarrisse in der Oberfläche entstehen. Weiße Oberflächen könnten mit der Zeit vergilben und dunklere Flächen könnten nachdunkeln. Dies ist nicht auf eine mindere Qualität des Produkts zurückzuführen, sondern ist ein natürlicher Prozess. Durch direkte Sonneneinstrahlung wird dieser allerdings beschleunigt.
- Wenn Sie Ihr Kinderbett für einige Zeit lagern wollen, vermeiden sie feuchte oder heiße Räume. Wählen sie eine gut gelüftete Umgebung und lagern sie keine anderen Gegenstände auf dem Kinderbett.

Checkliste

- Das Kinderbett ist erst dann betriebsbereit, wenn die Verriegelungsmechanismen vollständig eingerastet sind. Bitte überprüfen

Sie sorgfältig, ob die Verriegelungen voll eingerastet sind, bevor Sie das Kinderbett in Betrieb nehmen.

- Vergewissern Sie sich stets ob das Gestell unbeschädigt ist, bevor Sie es verwenden. Verwenden Sie das Produkt nicht, wenn eine Bruchstelle/Spaltenbildung erkennbar ist.
- Überprüfen sie regelmäßig, ob alle Montageteile immer richtig festgezogen sind und ziehen Sie diese nach wenn erforderlich.

Kundendienst

Wenn Sie nach Erhalt Ihres bloom Produkts Hilfe oder Ersatzteile benötigen oder wenn Sie irgendwelche Anmerkungen hinsichtlich der Ware haben, wenden Sie sich bitte per E-Mail an bloom.service@bloombaby.com. Unsere kompetenten Mitarbeiter werden Ihnen gerne weiterhelfen. Die neusten Produktinformationen entnehmen sie bitte unserer Internetseite bloombaby.com.

Ihre Anregungen und Eindrücke ermöglichen bloom seine Produkte regelmäßig zu optimieren. Bitte senden Sie Ihre Erfahrung in Bezug auf dieses Produkt an service@bloombaby.com.

grazie di aver scelto la culla " metropolitana " alma papa™ di dimensioni europee. con la sua linea contemporanea si integra con le case di tendenza. inoltre, il suo design pieghevole – unico nel suo genere – la rende facile da riporre e da spostare da stanza a stanza.

Importante
– istruzioni da
tenere: leggere
attentamente prima
dell'assemblaggio
e dell'utilizzo del
prodotto

Si prega di rimuovere tutto il materiale d'imballaggio prima dell'utilizzo

Raccomandazioni range di utilizzo

Raccomandato per uso da neonato sino a 4 anni.

Informazioni prodotto

Questa culla è stata ideata e testata nel rispetto degli ultimi ed appropriati standard di sicurezza

- Convertibile dalla nascita all'età scolare – da culla a lettino per bambino
- Design pieghevole per un pratico immagazzinaggio – non ci sono piccoli componenti che si possono perdere
- Due diversi livelli di regolazione del materasso per un facile accesso del neonato
- Design contemporaneo
- 4 ruote bloccabili incluse

Model No.: 10353

Brevetto imminente

Colori e contenuti possono variare

NOTE: deve essere assemblato da un adulto. Se ritoccato con la vernice, usate una vernice atossica specifica per prodotti per bambini.

Componenti

- #01 x 2 – testata - pediera
- #02 x 2 – pannelli laterali
- #03 – base
- #04a x 2 – supporti laterali
- #04b x 2 – supporti laterali
- #05 x 2 – supporti finali
- #06 x 2 – barra di sostegno
- #07 – (attrezzo) chiave esagonale
- #08 x 26 – viti
- #09 x 4 – ruote
- #10 x 4 – viti - lunghe

Istruzioni per un utilizzo sicuro: Pregasi leggere attentamente e conservare per il futuro

L'utilizzo e la manutenzione corretti della culla-lettino assicureranno una lunga vita al prodotto senza problemi. Se permettete a qualcun altro di utilizzarla si prega di assicurarsi che sappiano come usarla e regolarla con le necessarie precauzioni di sicurezza. La sicurezza del vostro bambino è una vostra responsabilità.

Scegliere il livello della base

I supporti della base sono pre-assemblati nella posizione più alta dei pannelli dell'alma papà. Questa posizione dovrebbe essere utilizzata SOLAMENTE per bambini neonati sino all'età di 6 mesi circa o sino a quando non riescono a rimanere seduti da soli.

ATTENZIONE

PER EVITARE CADUTE, LA BASE DEL MATERASSO DI QUESTO LETTINO DEVE ESSERE REGOLATA SULLA POSIZIONE PIU' BASSA PRIMA CHE IL BAMBINO POSSA STARE SEDUTO.

1 - 10 Assemblaggio Culla

- (#02 pannelli laterali, #04a & b supporti laterali, #07 attrezzo - chiave esagonale, #08 viti) assemblare i quattro supporti laterali sopra il livello superiore dei pannelli laterali serrando le viti utilizzando la attrezzo - chiave esagonale. inclusa nella confezione delle ruote (vedi illustrazione 1 & 2)

- (#01 pediera, #02 pannelli laterali, #07 attrezzo - chiave esagonale, #08 viti) Unire i due pannelli laterali alla pediera serrando le viti con la attrezzo - chiave esagonale. Assicurarsi che i lati con i montanti siano sulla parte interna della culla. (vedi illustrazione 3)
- Assemblare l'altro pannello - la testiera - serrando le viti con la attrezzo - chiave esagonale. (vedi illustrazione 4)
- (#07 attrezzo - chiave esagonale, #10 viti - lunghe) Serrare i sostegni e le viti dei pannelli con la attrezzo - chiave esagonale (vedi illustrazione 5)
- (#05 barra trasversale) Posizionare la barra trasversale sulle guide che si trovano in fondo ai pannelli laterali. Assicurarsi che le estremità a punta vadano inserite nelle guide. (vedi illustrazione 6)
- (#03 base) Inserire la base sui supporti nella culla. Assicurarsi che il lato della base con le etichette sia rivolto verso l'alto.
- Assemblare la base su entrambi i supporti finali dei pannelli testiera-pediera serrando le viti con l'apposita chiave inclusa nel kit minuteria (chiave esagonale).
- Per un utilizzo futuro si prega di ricordarsi dove si è riposta la attrezzo - chiave esagonale.
- L'assemblaggio è ora completato.

11 - 16 Per spostare la base in posizione inferiore

- (#04a & b supporti laterali, #05 supporti finali) Rimuovere dal telaio tutti e 6 i supporti della base (4 supporti laterali + 2 supporti finali)

allentando le viti con la attrezzo - chiave esagonale.

- Assemblare i 6 supporti della base sul livello desiderato. Fissare saldamente le viti con la attrezzo - chiave esagonale. Assicurarsi che i supporti finali siano siano assemblati dal lato giusto. (vedi illustrazione 14)

! ATTENZIONE

per evitare cadute e incidenti, non utilizzare più la culla se il bambino è in grado di arrampicarsi e uscirne.

Convertire la culla in lettino

Assemblaggio del lettino

La barriera è disponibile come accessorio. Info presso i negozianti Bloom o sul sito web bloombaby.com

17 - 18 Assemblaggio delle ruote

- 4 ruote bloccabili incluse da utilizzare se desiderato.
- Se scegliete di utilizzare le ruote, è necessario sempre bloccare le ruote quando si usa il lettino.
- (#09 ruote) Fissare le ruote avvitandole nei fori girando il bullone esagonale sino a fine corsa.
- Per bloccare le ruote spingere verso il basso le leve di fermo su tutte le ruote.
- Per sbloccarle, alzare le leve di fermo su ogni ruota.
- Per rimuovere le ruote, allentare il bullone esagonale

19 - 20 Immagazzinaggio

- Togliere il materasso prima di piegare e riporre la culla alna papa.
- Rimuovere la base dal telaio – Allentare le viti su entrambi i lati della parte finale della base del letto.
- Piegare i pannelli laterali verso l'interno e spingere insieme i pannelli finali. Assicurarsi che i pannelli siano ripiegati nella corretta direzione. (vedi illustrazione 20)

Materasso

- Il materasso non è incluso con la culla ma può essere acquistato separatamente. Devi sempre usare il materasso con la culla.
- La dimensione minima del materasso da utilizzare con la culla alna papa deve essere di 120cm / 47½" x 60cm / 23½", gli spazi tra il materasso e il perimetro interno della culla non devono superare i 2.5cm / 1".
- L'altezza del materasso non dovrà superare i segni "↑" che si trovano sulla parte interna del pannello laterale per entrambe le altezze della base.(vedi illustrazione 10 & 16). Il materasso deve essere alto almeno 57cm / 22½" (superficie del materasso sino al bordo superiore del telaio della culla) in posizione più bassa e 31cm / 12¼" in quella più alta.
- Sbagliare la misura del materasso può creare spazi pericolosi che potrebbero portare a soffocare il bambino o ridurre l'altezza laterale della culla con il rischio che il bambino possa cadere all'esterno.

⚠ATTENZIONE:

- **Utilizzo della culla con il fasciatoio:**

⚠Attenzione:

Rischio di strangolamento : fissare sempre saldamente le 2 cinghie fornite quando utilizzi la stazione del cambio con entrambe le misure della culla.

Se solo una delle cinghie non e' fissata bene il bambino sul fasciatoio o nella culla potrebbe alzare o spostare il vassoio e il suo collo può rimanere intrappolato tra il vassoio e la struttura della culla.

- ⚠Attenzione: un camino acceso o altri fonti di " fiamma " o calore forte, come le stufe elettriche o a gas, nelle vicinanze della culla costituiscono un grande rischio
- ⚠Attenzione: non utilizzare la culla quando qualsiasi componente e' rotto, danneggiato o mancante e utilizzare solo ricambi originali.
- ⚠Attenzione: non lasciare nulla nella culla o nelle sue vicinanze che possa permettere al bambino di appoggiare il piede, o che possa costituire pericolo di strangolamento o soffocamento come lacci o corde delle tende o persiane.
- ⚠Attenzione: non utilizzare più di un materasso.
- Controlla attentamente che I meccanismi di bloccaggio siano tutti ben fissi prima di utilizzare la culla pieghevole.
- La posizione inferiore è quella più sicura e la base deve essere utilizzata sempre in quella

posizione appena il bambino riesca a stare seduto da solo.

- Tutte le parti assemblate devono essere sempre fissate adeguatamente e regolarmente controllate, se necessario fissate più saldamente.
- A prevenzione di qualsiasi caduta o incidente quando il bambino riesce ad arrampicarsi ed uscire dalla culla, non utilizzare più la culla.
- ⚠️ **Attenzione:** La mancata osservanza di questi avvertimenti e istruzioni potrebbe causare seri incidenti o la morte.
- ⚠️ **Attenzione:**
I neonati possono soffocare
– negli spazi che si creano tra il materasso e le pareti della culla se il materasso è troppo piccolo o troppo spesso.
– Se è presente un materasso sofficie non aggiungere mai un altro materasso, cuscino, trapunta o imbottitura.
- ⚠️ **Attenzione:** qualsiasi materasso utilizzato in questa culla deve essere almeno lungo 120cm / 47¼", largo 60cm / 23½" e non superare un'altezza di 10cm / 4".
- ⚠️ **Attenzione:** assicurarsi che le serrature siano chiuse.
- ⚠️ **Attenzione:** lacci possono causare strangolamento. Non posizionare intorno al collo del bambino articoli con lacci come quelli dei cappucci o delle tettarelle. Non sospendere sopra il bambino giochi con corde o attaccare corde o lacci a qualsiasi giocattolo.

- ⚠️ **Attenzione:** Non utilizzare più il prodotto quando il bambino riesce ad arrampicarsi e uscire dalla culla o quando avrà raggiunto l'altezza di 89cm / 35".
- ⚠️ **Attenzione:** quando il bambino è in grado di stare in posizione eretta da solo, regolare il materasso e la base sulla posizione più bassa. Inoltre rimuovere le imbottiture, i paracolpi i grandi giocattoli e qualsiasi altro oggetto che potrebbe servire da gradino per arrampicarsi.
- ⚠️ **Attenzione:** il prodotto e le barriere laterali devono essere erette correttamente prima dell'utilizzo.
- ⚠️ **Attenzione:** non mettere mai il prodotto vicino ad una finestra o dove
- ci sono corde o tende che potrebbero strangolare il bambino.
- ⚠️ **Attenzione:** utilizzare solo il materasso / imbottitura fornito dalla casa madre (questo deve essere lungo almeno 120cm / 47¼", largo 60cm / 23½" e non più alto di 10cm / 4".
- ⚠️ **Attenzione:** Assicurare sempre un adeguato e continuativo controllo del bambino. Quando la culla viene utilizzata per gioco è sempre necessario guardare il bambino.
- ⚠️ **Attenzione:** per ridurre i rischi di " morte bianca ", pediatri raccomandano di porre il neonato per dormire sulla schiena, a meno che il tuo medico non dia istruzioni diverse.
- ⚠️ **Attenzione:** non utilizzare mai questo

prodotto quando i componenti, le chiusure o le cerniere mancano o siano danneggiati. Controllare prima dell'assemblaggio e periodicamente durante l'utilizzo. Contattare Bloom per i pezzi di ricambio. Non sostituire mai le parti della culla con parti non originali.

- **⚠️ Attenzione: non utilizzare mai sacchetti di plastica o altre pellicole in plastica come coperture. Potrebbero causare il soffocamento.**
- **Non utilizzare mai un materasso ad acqua con questo prodotto.**
- **I bambini rischiano di rimanere intrappolati o morire nel momento in cui una rete o una copertura vengano posti in modo improvvisato sopra alla culla. Non utilizzare mai tali prodotti allo scopo di isolare i bambini nella culla.**
- **Se ritoccato con la vernice, usate una vernice atossica specifica per prodotti per bambini.**

Importante!

- Prima di assemblare questa culla, leggere attentamente e capire le istruzioni. Un assemblaggio errato può rendere la culla pericolosa.
- Non utilizzare la culla se le parti sono rotte, danneggiate o mancanti.
- Per evitare cadute, non utilizzare la culla con la base regolata sulla posizione superior una volta che il bambino sia in grado di sedersi da solo.

- Non lasciare nulla sulla culla (come giocattoli) che potrebbe essere utilizzata come gradino.
- Non posizionare la culla vicino a fonti di calore come stufe elettriche, camini accesi o fiamme di qualsiasi tipo
- Tenere lontani dalla culla cavi, fili o corde sospese.
- Tenere lontani dalla culla medicinali e piccoli oggetti che potrebbero causare il soffocamento del bambino.
- Non posizionare la culla alma papa su superfici elevate.
- Quando le ruote vengono utilizzate assicurarsi che le ruote siano bloccate nei momenti in cui il bambino rimanga senza controllo.
- In caso di ritocchi di verniciatura, utilizzare solo prodotti non tossici specifici per articoli per bambino

Cura e Manutenzione

- Per la pulizia del vostro lettino, utilizzare un prodotto non tossico e non abrasivo. Mescolare una soluzione di acqua con una piccola quantità di detersivo delicato. Applicare sulla superficie del lettino con un panno umido.
- Per spostare il lettino senza le ruote montate, alzare sempre il prodotto. Non spingerlo o non trascinarlo per evitare di danneggiare la base.
- È importante che il livello di umidità nella stanza sia controllato da situazioni estreme di troppa o troppo poca umidità. Il lettino non deve essere esposto direttamente nelle vicinanze di una bocchetta dell'aria

condizionata, nelle vicinanze di un fuoco, nelle vicinanze dei radiatori, nelle vicinanze di stufe, nelle vicinanze di umidificatori o deumidificatori. L'esposizione a variazioni estreme di temperatura e di umidità può danneggiare i prodotti in legno.

- Mantenere il lettino fuori dall'esposizione della luce solare diretta. I raggi UV possono sbiadire i colori e scurirli in alcuni casi. Può causare la screpolatura o delle crepe nelle finiture. Le finiture bianche si scuriranno naturalmente col passare del tempo e l'esposizione a luce solare diretta accelererà questo processo naturale con un certo scurimento del legno; questo non è da considerarsi come un difetto di qualità.
- Se dovete imballare il lettino per qualunque periodo non dovete riporlo in un ambiente umido o caldo. Deve esserci un ricircolo dell'aria e non impilate altri oggetti sopra il lettino.

Lista di controllo

- Il lettino è pronto per l'utilizzo soltanto quando i meccanismi di bloccaggio sono agganciati. Prima dell'utilizzo del lettino controllare con attenzione che siano completamente agganciati.
- Controllare sempre che il lettino sia esente da danni prima dell'uso. Non utilizzare il prodotto se si presenta danneggiato.
- Controllare regolarmente che tutti gli particolari assemblati siano stretti sempre correttamente e rinserrateli secondo le necessità.

Servizio post vendita

Quando riceverete il vostro prodotto bloom, se avete bisogno dell'assistenza, parti di ricambio o se avete osservazioni riguardo a tutta la funzione delle merce, prego mettetevi in contatto con bloom a mezzo mail scrivendo a: service@bloombaby.com. Il nostro personale sarà in grado di aiutarvi. Potete inoltre visitare il nostro Website bloombaby.com per ultime informazioni sui prodotti.

Le vostre risposte ed input permettono a bloom di continuare ad apportare dei miglioramenti ai nostri prodotti. Inviare le vostre osservazioni in merito a questo prodotto a: service@bloombaby.com.

bedankt voor het aanschaffen van het ledikant alma papa™ urban. met zijn minimalistische design past de alma papa™ in een modern interieur. door zijn unieke vouwsysteem is deze makkelijk op te bergen en te verplaatsen.

Belangrijk. Bewaar voor toekomstig gebruik. Lees aandachtig voor gebruik en installatie.
Verwijder alle verpakking voor gebruik.

Leeftijdsindicatie

Aanbevolen om te gebruiken voor pasgeborenen tot 4 jaar.

Product Informatie

Dit bed is ontworpen en getest volgens de laatste relevante veiligheidsstandaarden.

- Van pasgeborene tot peuter
- Vouwontwerp voor makkelijk opbergen- geen kleine delen om kwijt te kunnen raken
- 2 matrashoogten voor makkelijk toegang tot pasgeborenen
- Eigentijds ontwerp
- Inclusief 4 wielen met rem

Model No.: 10353

Patenten in aanvraag

Kleur en inhoud kunnen afwijken.

Let op: installatie door volwassenen.

Gebruik bij opnieuw verven een niet giftige verf speciaal geschikt voor kinderproducten.

Onderdelenlijst

- #01 x 2 – eindpaneel
- #02 x 2 – zijpaneel
- #03 – bodemplaat
- #04a x 2 – zijsteunen
- #04b x 2 – zijsteunen
- #05 x 2 – hoofdsteunen
- #06 x 2 – dwarsbalk
- #07 – (gereedschap) inbussleutel
- #08 x 26 – bouten
- #09 x 4 – wielen
- #10 x 4 – bouten lange

Instructies voor veilig gebruik.

Lees aandachtig en bewaar voor toekomstig gebruik

Het juiste gebruik en onderhoud van uw ledikant zorgt voor een lang en zorgeloos gebruik. Als iemand anders deze gebruikt, zorg dan dat ze weten hoe deze te verstellen en de noodzakelijke veiligheidsmaatregelen kennen. De veiligheid van uw kind is uw verantwoordelijkheid.

Kies de hoogte van de bedbodem

De bedbodem kan in verschillende hoogten worden ingesteld. In het begin is de bedbodem ingesteld op de hoogste positie. Deze hoogste stand mag alleen worden gebruikt voor baby's van 0- ca. 6 maanden of totdat de baby zelfstandig rechtop kan zitten.

WAARSCHUWING

OM VALLEN TE VOORKOMEN MOET HET MATRAS OP DE LAAGSTE STAND WORDEN INGESTELD VOORDAT HET KIND KAN ZITTEN.

1 - 10 Ledikant installatie

- (#02 zijpaneel, #04a & b zijsteunen, #07 gereedschap - inbussleutel, #08 bouten) installeer de zijsteunen aan de bovenzijde van de zijpanelen door de bout aan te draaien met de bijgeleverde inbussleutel. De inbussleutel is verpakt bij de wielen (zie illustratie 1 & 2)
- (#01 eindpaneel, #02 zijpaneel, #07 –

gereedschap - inbussleutel, #08 - bouten).
Maak de zijpanelen aan een van de eindpanelen vast door de bouten vast te draaien met de inbussleutel. Let op dat de kant met de steunen naar binnen is gedraaid. (zie illustratie 3)

- Maak het andere eindpaneel vast met de bouten dmv de inbussleutel. (zie illustratie 4)
- (#07 gereedschap - inbussleutel, #10 bouten - lange) Zet de poten van de eindpanelen vast met de inbussleutel (zie illustratie 5)
- (#06 dwarsbalk) Plaats de dwarsbalk op de holttes die onderaan de zijpanelen zitten. Let erop dat de pinnetjes op de dwarsbalk in de gaten vallen (zie illustratie 6)
- (#03 bodemplaat) plaats de bodemplaat in het ledikant, op de steunen. Let erop dat de juiste zijde (met de stickers) boven is.
- Bevestig de bodemplaat op de steunen aan de kopzijden van het bed, door de bouten vast te draaien met de bijgeleverde inbussleutel.
- De ledikantinstallatie is nu gereed.

11 - 16 Instellen van bodemplaat naar het lager niveau

- (#04a & b zijsteunen, #05 hoofdsteunen). Verwijder alle 6 de bodemplaatsteunen van het frame (zijsteunen x 4 + hoofdsteunen x 2) door de bouten los te maken met de inbussleutel.
- Verplaats de steunen naar het door u gewenste niveau. Zet deze vast door de bouten met de inbussleutel vast te maken. Let erop dat de eindsteunen met de juiste

zijde naar boven worden geïnstalleerd. (zie illustratie 14)

WAARSCHUWING

Om vallen te voorkomen, moet het bed niet meer gebruikt worden als het kind uit het bed kan klimmen.

Tip: maak van dit bed ook een peuterbed, met de apart verkrijgbare bed rand.

Peuterbed installatie

Een bedrail voor gebruik als peuterbed is apart te bestellen bij uw bloom dealer. Kijk op bloombaby.com voor meer details.

17 - 18 Installatie van de wielen

- 4 wielen met rem zijn bijgevoegd. Het gebruik hiervan is optioneel.
- Als u kiest voor het gebruik van de wielen, zet deze dan altijd op de rem als het ledikant in gebruik is.
- (#09 wielen) Bevestig de wielen door ze in de gaten onderaan de poten te draaien met de bijgevoegde sleutel tot ze vastzitten.
- Om de wielen te blokkeren duwt u de handles op elk wiel naar beneden.
- Om de blokkering van de wielen op te heffen duwt u de handle op elk wiel naar boven.
- Om de wielen te verwijderen draait u deze los met de bijgeleverde sleutel.

19 - 20 Storage

- Om uw alma papa ledikant op te vouwen verwijdert u eerst de matras.

- Verwijder de bodemplaat van het frame
 - De bouten aan beide uiteinden van de bedbodem.
- Vouw de zijpanelen naar binnen en duw de uiteinden naar binnen. Controleer of de panelen op de juiste manier zijn gevouwen





Matras

- Het matras is separaat te bestellen. Gebruik altijd een matras bij het alma papa bed.
- De minimale afmeting van het matras dat u gebruikt in het alma papa bed moet zijn: 120cm / 47½" x 60cm / 23½", en de ruimte tussen het matras en de bedrand mag niet meer zijn dan 2.5cm / 1".
- De matrasdikte mag niet boven het level met het teken "↕" uitkomen dat is aangegeven op de binnenkant van de zijkant voor beide bodemplaathogtes (zie illustraties 10 & 16). De matrasdikte moet zodanig zijn dat de binnenhoogte (van de bovenkant van de matras tot de bovenrand van de wiegrand) minimaal 57cm / 22½" is in de laagste positie van de bedbodem en minimaal 31cm / 12¼" in de hoogste positie van de bodemplaat.
- Gebruik van de verkeerde maat matras kan gevaarlijke ruimtes creëren die kunnen leiden tot verstrikking of beperken de zijhoogte van het bed zodanig dat het kind eruit kan vallen.

WAARSCHUWINGEN:

-  **Waarschuwing: Pas op met open vuur en andere bronnen van sterke warmte (zoals**

gashaarden, elektrische kachels e.d.) in de buurt van het bed.

-  **Waarschuwing: Gebruik dit product niet als er onderdelen missen of kapot zijn. Controleer regelmatig tijdens gebruik of alles nog in orde is. Contact bloom voor reserveonderdelen. Vervang nooit zelf onderdelen.**
-  **Waarschuwing: touwen en draden kunnen verstrikking veroorzaken! Plaats geen dingen met touwtjes om een kinds nek zoals mutstouwtjes of speenkoorden. Plaats geen touwen of linten over de wieg en bind geen touwen vast aan speelgoed.**
-  **Waarschuwing: Gebruik niet meer dan 1 matras in het bed.**
- **Controleer zorgvuldig of de sluitmechanismen volledig open zijn voor u het bed inklapt.**
- **Alle sluitingsmechanismen moeten vast zitten. Controleer regelmatig of deze volledig vastzitten en draai deze extra aan indien nodig.**
- **De laagste stand is de veiligste en deze positie moet gebruikt worden zodra de baby oud genoeg is om te zitten.**
- **Om vallen te voorkomen moet de bodemplaat niet meer in de hoogste positie worden gebruikt zodra het kind rechtop kan zitten.**
-  **Waarschuwing: kinderen kunnen stikken**
 - In ruimtes tussen een matras die te klein of te dik is en de zijkanten van dit product.

– In zacht beddengoed:

Voeg nooit een matras, kussen of vulstuk toe.

- Let op: elke matras die in deze wieg wordt gebruikt moet minimaal 120cm / 47¼" lang zijn, 60cm / 23½" breed en niet meer dan 10cm / 4" thick.
- ⚠️ Waarschuwing: controleer of de sluitingen en handles goed vastzitten.
- ⚠️ Waarschuwing: touwen en draden kunnen verstrikking veroorzaken! Plaats geen dingen met touwtjes om een kinds nek zoals mutstouwtjes of speenkoorden. Plaats geen touwen of linten over het bed en bind geen touwen vast aan speelgoed.
- ⚠️ Waarschuwing: als het kind zichzelf in rechtopstaande positie kan trekken, plaats dan de matrasbodemp op de laagste positie en verwijder groot speelgoed en andere objecten die kunnen dienen als opstapje om uit het bed te klimmen.
- ⚠️ Waarschuwing: Het bed moet volledig geïnstalleerd zijn voor gebruik.
- ⚠️ Waarschuwing: plaats het bed nooit bij een raam waar bijv. touwen van lamellen of gordijnen het kind kunnen verstrikken.
- ⚠️ Waarschuwing: gebruik alleen een matras die geleverd is door de fabrikant (die moet minimaal 120cm / 47¼" lang zijn, 60cm / 23½" breed en niet meer dan 10cm / 4" dik).
- ⚠️ Waarschuwing: zorg altijd voor het noodzakelijke toezicht voor de continue veiligheid van uw kind. Bij gebruik als speelterrein: laat uw kind nooit zonder toezicht.
- ⚠️ Waarschuwing: om het risico op wiegedood te verkleinen raden kinderartsen aan om gezonden kinderen op hun rug te slapen te leggen, tenzij anders geadviseerd door uw arts.
- ⚠️ Waarschuwing: gebruik dit product nooit als er losse of ontbrekende bevestigingsonderdelen zijn of gebroken onderdelen. Controleer voor installatie en periodiek tijdens gebruik. Neem contact op met bloom voor reserveonderdelen. Vervang nooit andere vervangende onderdelen.
- ⚠️ Waarschuwing: gebruik de wieg niet meer als het kind uit de wieg kan klimmen of een lengte heeft van 89cm / 35" of langer.
- ⚠️ Waarschuwing: gebruik nooit plastic verpakkingzakken of ander plastic materiaal als matrasbedekking die daar niet voor zijn bedoeld. Deze kunnen verstikking veroorzaken.
- Gebruik nooit een watermatras bij dit product.
- Kinderen kunnen verstrikt raken in zelf gemaakte netten of afdekmiddelen die op een bedje worden geplaatst. Installeer nooit dergelijke dingen op of aan het bed.
- Gebruik bij opnieuw verven een niet giftige

verf speciaal geschikt voor kinderproducten.

BELANGRIJK!

- Voor installatie van dit bed moet u deze gebruiksaanwijzing lezen en begrijpen. Verkeerde installatie kan het bed onveilig maken.
- Gebruik het bed niet als een onderdeel ontbreekt, beschadigd is of niet meer werkt.
- Om vallen te voorkomen moet het matras op de laagste stand worden ingesteld voordat het kind kan zitten
- Laat niets in het bed (zoals speelgoed) dat als voetsteun kan dienen
- Gebruik het alma papa bed niet bij open warmtebronnen, open vuur of vlammen.
- Waarschuwing: plaats de wieg nooit bij een raam waar bijv. touwen van lamellen of gordijnen het kind kunnen verstrikken.
- Houd medicijnen en kleine dingen waar kinderen in kunnen stikken uit de buurt van de wieg.
- Plaats het alma papa bed niet op een verhoging .
- Als de wielen worden gebruikt zorg er dan voor dat deze op slot staan als het kind er zonder toezicht in is.
- Als u het bed overschildert gebruikt u dan alleen niet giftige lak, special voor kinderartikelen.

Onderhoud en reiniging

- Het ledikant kunt u reinigen met een niet giftig, niet bijtend reinigingsmiddel. Gebruik water met een mild reinigingsmiddel. Gebruik

hiervoor een vochtige doek.

- Bij het verplaatsen van ledikant zonder geïnstalleerde wielen, til dan het bed altijd op. Duw of sleep het bed niet om beschadigingen aan de poten te voorkomen.
- Het is belangrijk dat de vochtigheidsgraad in de kamer gecontroleerd wordt op teveel of te weinig vochtigheid. Het bed niet plaatsen bij airconditioning, open haarden, verwarmingen, vochtregulators e.d. Blootstelling aan extreme veranderingen in temperaturen en vochtigheidsgraad kan het hout beschadigen
- Plaats de wieg niet in direct zonlicht. UV straling kan verkleuring veroorzaken en in sommige gevallen de kleuren donkerder maken. Het kan scheuren in de lak veroorzaken. Witte lak zal natuurlijk iets vergelen in de tijd en blootstelling aan direct zonlicht versnelt dit natuurlijke proces. Sommige houtsoorten worden donkerder na een tijdje. Dit is geen kwaliteitsgebrek.
- Als u het ledikant voor enige tijd moet opslaan, bewaar deze dan niet in een vochtige of warme omgeving. Zorg voor luchtcirculatie rondom het meubelstuk en plaats er niets bovenop.

Checklist

- Het alma papa bed is alleen klaar voor gebruik als de sluitingsmechanismen vast zitten. Controleer nauwkeurig of deze volledig vastzitten voor gebruik van dit bed.
- Controleer altijd of het frame niet beschadigd is voor gebruik. Gebruik het product niet als er

enige beschadiging is.

- Controleer regelmatig of alle bevestigingspunten goed aangedraaid zijn en draai regelmatig aan wanneer nodig.

Consumentenservice

Als u vragen heeft of assistentie nodig hebt of niet tevreden bent met het product, neem dan contact op met bloom via benelux@bloombaby.com. U kunt ook onze website bloombaby.com bezoeken voor de meest recente productinformatie. Uw opmerkingen en feedback zorgen ervoor dat bloom steeds verbeteringen kan aanbrengen in haar producten.

