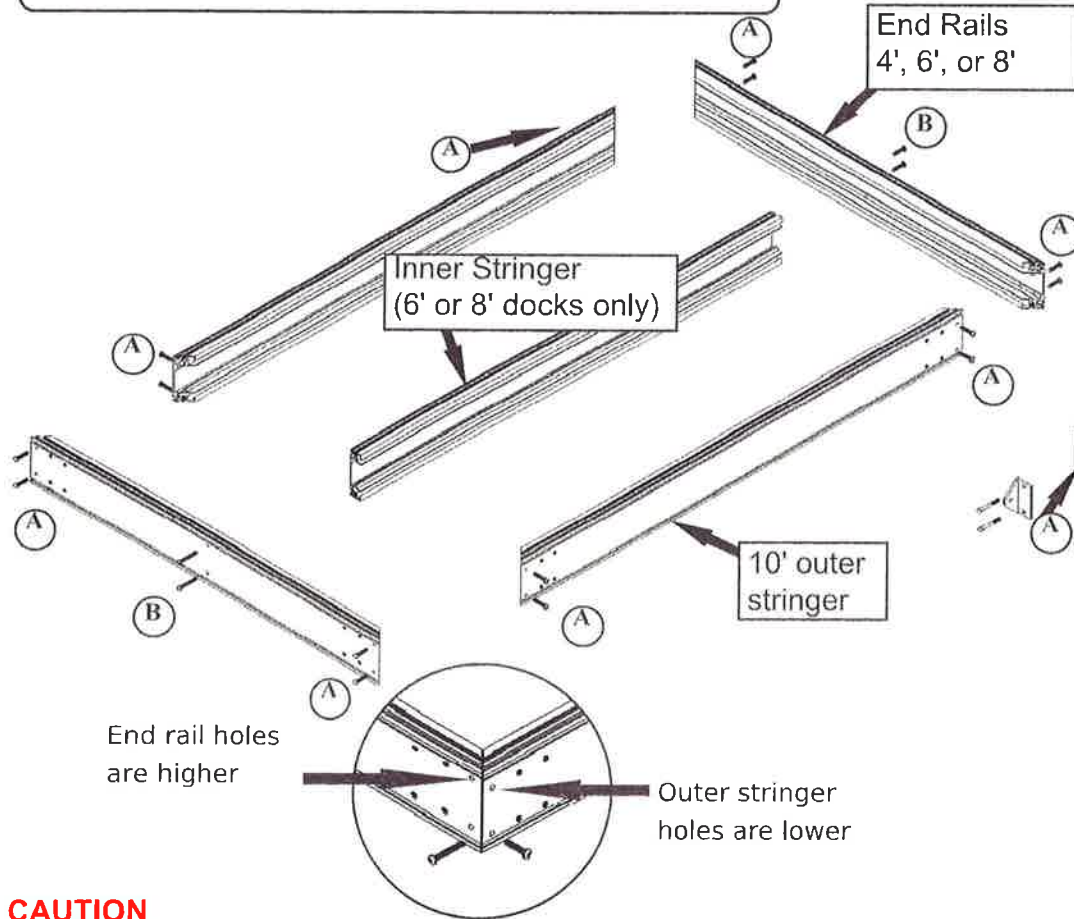


**STEP 1**

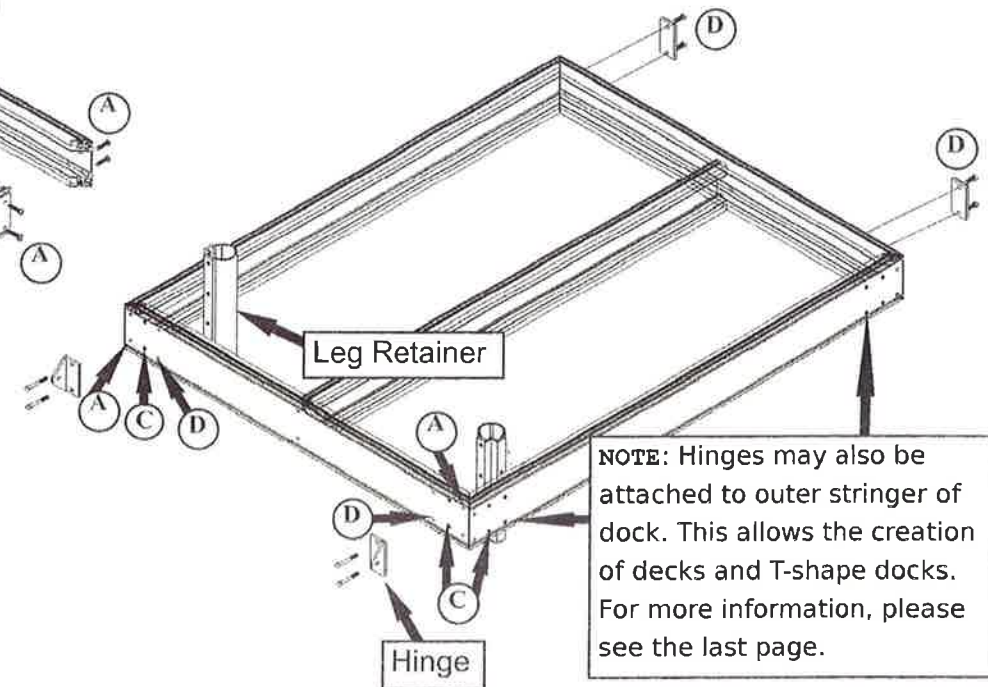
- Assemble Frame at corners using 5/16" x 1½" socket head bolts ("A" 16 bolts)
- On 6' or 8' wide docks install inner stringer using 5/16" x 2¼" socket head bolts ("B" 4 bolts)

**NOTE:** Outer stringer bolt holes are located lower on the extrusion than end rail bolt holes (as pictured below)

**STEP 2**

- Install leg retainers on one end using 5/16" x 2" socket head bolts at the middle bolt holes ("C" 4 bolts/leg retainer)
- Connect hinges to frame using 3/8" x ¾" Hex bolts at the innermost bolt holes ("D" 2 bolts/hinge)

**NOTE:** The end of the dock that faces the water and the end on the shore do not require hinges



**NOTE:** Hinges may also be attached to outer stringer of dock. This allows the creation of decks and T-shape docks. For more information, please see the last page.

**CAUTION**

Damage may result if care is not exercised with heavy boats and/or rough water. In such cases, boats should be anchored away from Dock.

**Recommended safe carrying capacity 20 P.S.F. or 3000 lbs. uniform live load.**

**FENDOCK**

SINCE 1955

46 Auriga Drive Ottawa, Ontario K2E 7Y3 Tel: (613)722-6581 Fax: (613)722-3168

1-888-FENDOCK  
(1-888-336-3625)  
www.fendock.com

Assembly Instructions for:

**Frame Docks**

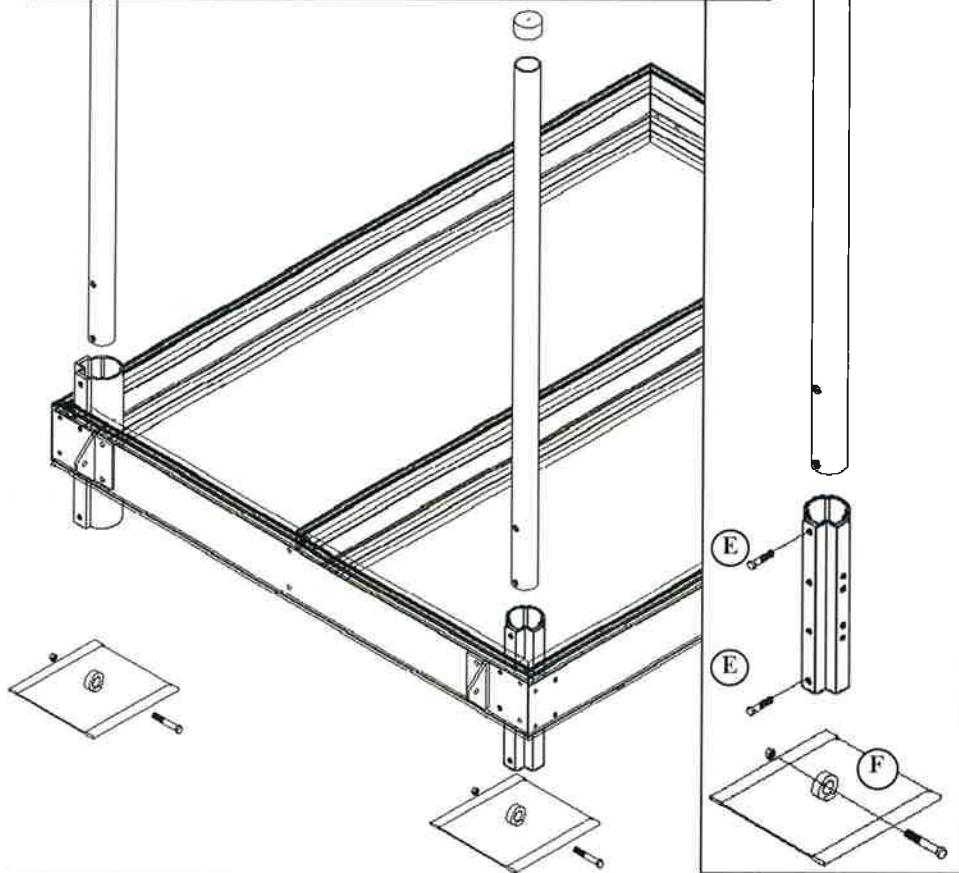
Part No.: PN99270, PN99271, PN99272

(info PN02066)

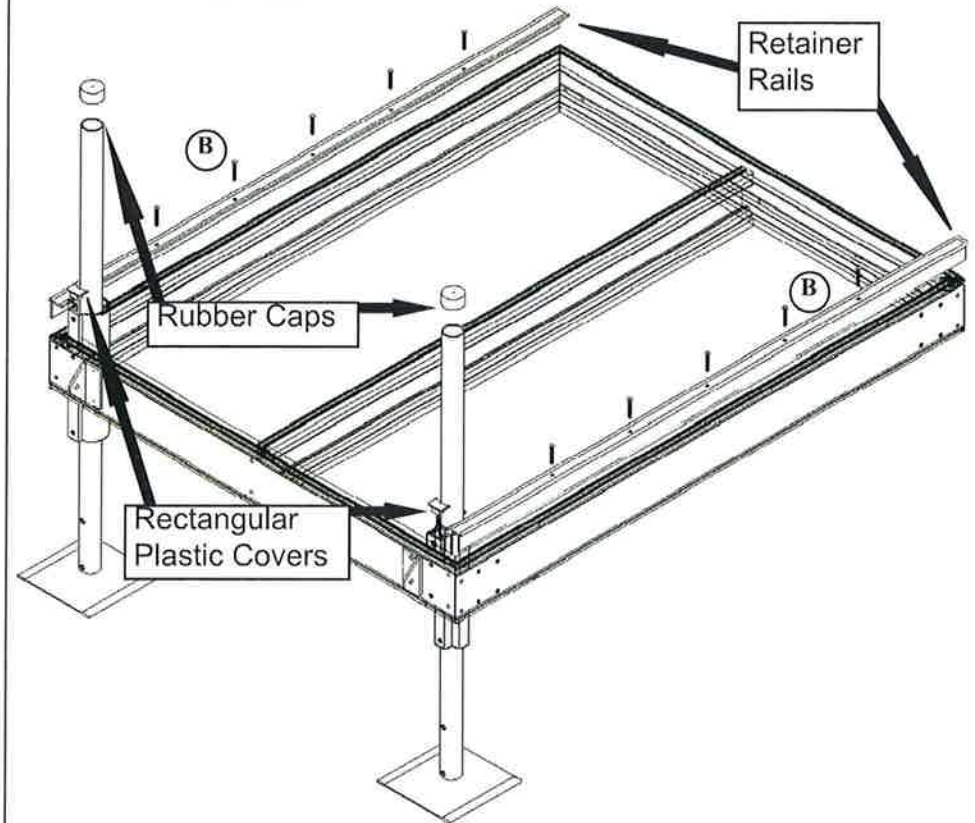
© 2011 Fendor Glass & Aluminum Inc.

**STEP 3**

- Slide legs through the leg retainers onto the baseplates
- Attach baseplate to legs with 3/8" x 2½" Hex bolts and 3/8" nuts ("F" 2 places)
- Tighten legs in leg retainers with two 5/16" x 3/4" Hex bolts on each leg ("E" 4 places)

**STEP 4**

- Insert rectangular plastic covers into top of leg retainers
- Install rubber caps on top of legs
- Once decking panels are assembled set decking on top of dock
- Attach decking to dock by fastening the retainer rail (B) to the dock using 5/16" x 2¼" socket head bolts (bolts go between wood slats - one bolt per 2' decking panel, on each side of dock)

**Preventative Maintenance**

Dock to be removed from water for winter. Before installing "Dock" and "Ramp" in water (in the spring), check for worn, broken, or missing parts. Replace if required before using dock.

**FENDOCK**

SINCE 1955

46 Auriga Drive Ottawa, Ontario K2E 7Y3 Tel: (613)722-6581 Fax: (613)722-3168

1-888-FENDOCK  
(1-888-336-3625)  
www.fendock.com

Assembly Instructions for:

**Frame Docks**

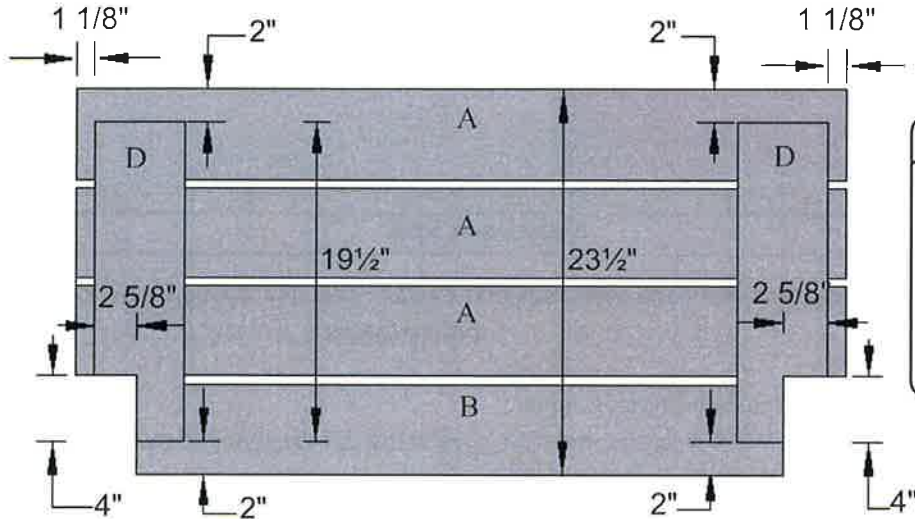
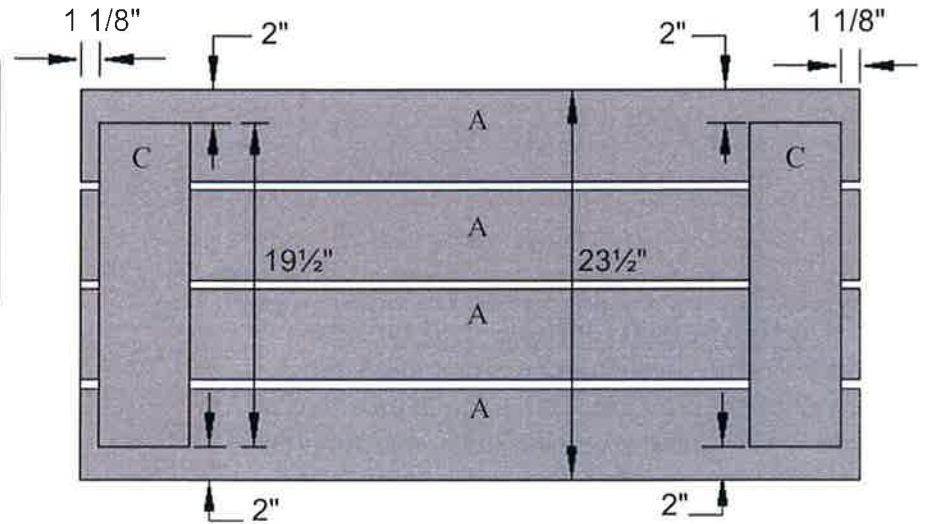
Part No.: PN99270, PN99271, PN99272

(info PN02066)

© 2011 Fendor Glass & Aluminum Inc.

### Decking Notes

- There are two different sections of decking
- Middle sections are pictured at right (Four per 10' of dock)
- End sections, with notches for legs, are pictured below (One per 10' of dock)
- Set back measurements are included on the diagram and are the same regardless of dock width



### Decking Construction Instructions

- Use the cutting list found at the bottom left to prepare planks
- NOTE:** Different dock widths require different cutting lengths. Please make sure you are following the correct column
- Assemble the section located at the legs as pictured at left
- Assemble four regular sections as pictured above
- Place your decking sections on the dock and attach with retainer rails as pictured in Step 4 on the previous page

### QTY

### Hardware Packing List

1	Instructions and Warranty Card
4	Hinge Bracket
2	Rubber Cap
2	Rectangular Plastic Cap
2	3/8" x 2 1/2" Hex Bolt (F)
4	3/8" Nylock Nut (F)
14	5/16" x 2 1/4" Socket Head Bolt (B)
4	5/16" x 3/4" Hex Bolt (E)
16	5/16" x 1 1/2" Socket Head Bolt (A)
8	3/8" x 3/4" Hex Bolt (D)
8	5/16" x 2" Socket Head Bolt (C)
2	3/8" x 1" Hex Bolt

(for connecting additional docks at hinges)

### Cutting List per 10' Dock Frame

	Quantity	Lumber	4' wide dock	6' wide dock	8' wide dock
A	19	2 x 6	47"	71"	95"
B	1	2 x 6	39 1/2"	63 1/2"	87 1/2"
C	8	1 x 6	19 1/2"	19 1/2"	19 1/2"
D	2	1 x 6	19 1/2" **	19 1/2" **	19 1/2" **

\*\* With a 4" x 2 5/8" notch

# FENDOCK

SINCE 1955

46 Auriga Drive Ottawa, Ontario K2E 7Y3 Tel: (613)722-6581 Fax: (613)722-3168

1-888-FENDOCK

(1-888-336-3625)

www.fendock.com

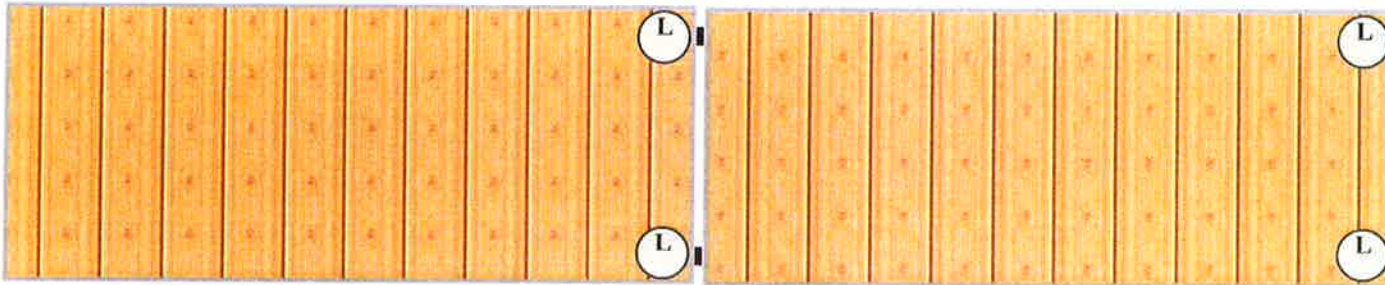
Assembly Instructions for:

# Frame Docks

Part No.: PN99270, PN99271, PN99272

(info PN02066)

© 2011 Fendor Glass & Aluminum Inc.

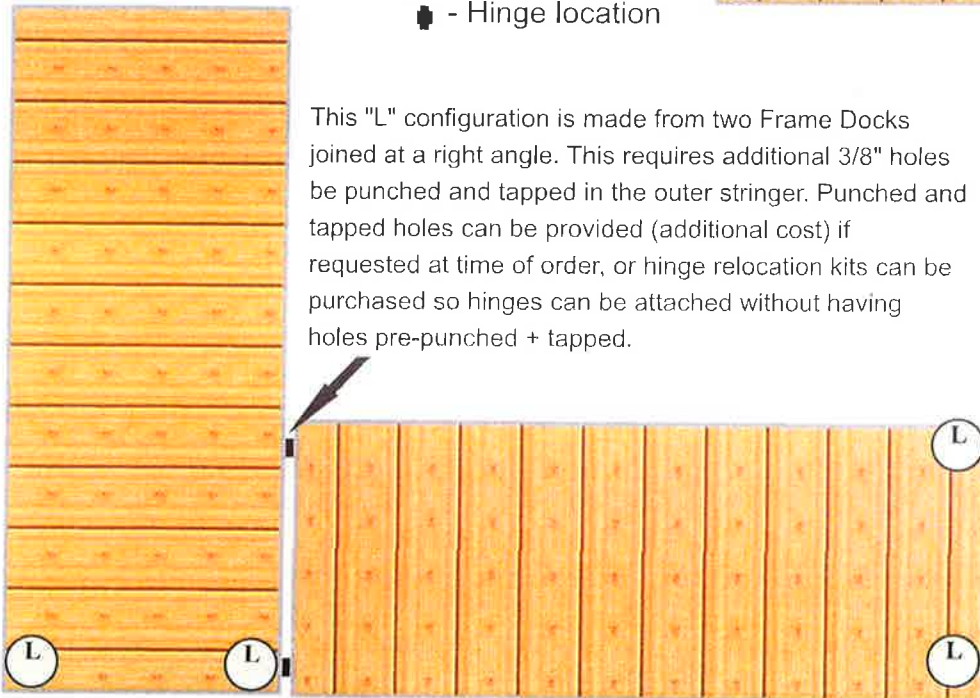


Two frame docks are used to create a wider section at the end of the dock for use as a deck (left) by joining them side by side. This configuration does not require drilling any additional holes in the side rails. Decking can be made by following the provided instructions but this will result in a gap of 2½" between deck sections. To avoid this gap, it is possible to construct double-width decking and cover the entire surface of the two docks by doubling the decking width measurements (A and B on the cut list) and adding 2½" to cover the hinges.

### Configuration Options and Notes

Fendock Frame docks can be assembled into a variety of configurations. This page is provided as a guide to designing your own dock and provides insight into placement of dock legs, hinges, and any additional drilling or parts that may be required.

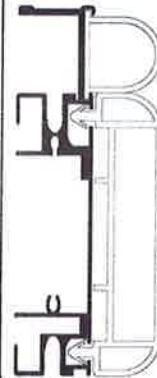
L - Leg location  
 H - Hinge location



This "L" configuration is made from two Frame Docks joined at a right angle. This requires additional 3/8" holes be punched and tapped in the outer stringer. Punched and tapped holes can be provided (additional cost) if requested at time of order, or hinge relocation kits can be purchased so hinges can be attached without having holes pre-punched + tapped.

### Accessories

*New vinyl bumpers have been designed for our Fendock Floating Docks and Frame Docks*



- Small Upper Bumper:  
Will fit into and cover the area of the decking retainer rail.  
Available in 10' lengths  
10' section - PN90100
- Large Lower Bumper:  
Will fit into and cover the area of the outer stringers and end rails (ie: the frame). Available in 10' lengths  
10' section - PN90200



46 Auriga Drive Ottawa, Ontario K2E 7Y3 Tel: (613)722-6581 Fax: (613)722-3168

1-888-FENDOCK  
(1-888-336-3625)  
www.fendock.com

Assembly Instructions for:

# Frame Docks

Part No.: PN99270, PN99271, PN99272

(info PN02066)

© 2011 Fendor Glass & Aluminium Inc.