

# FENDOCK

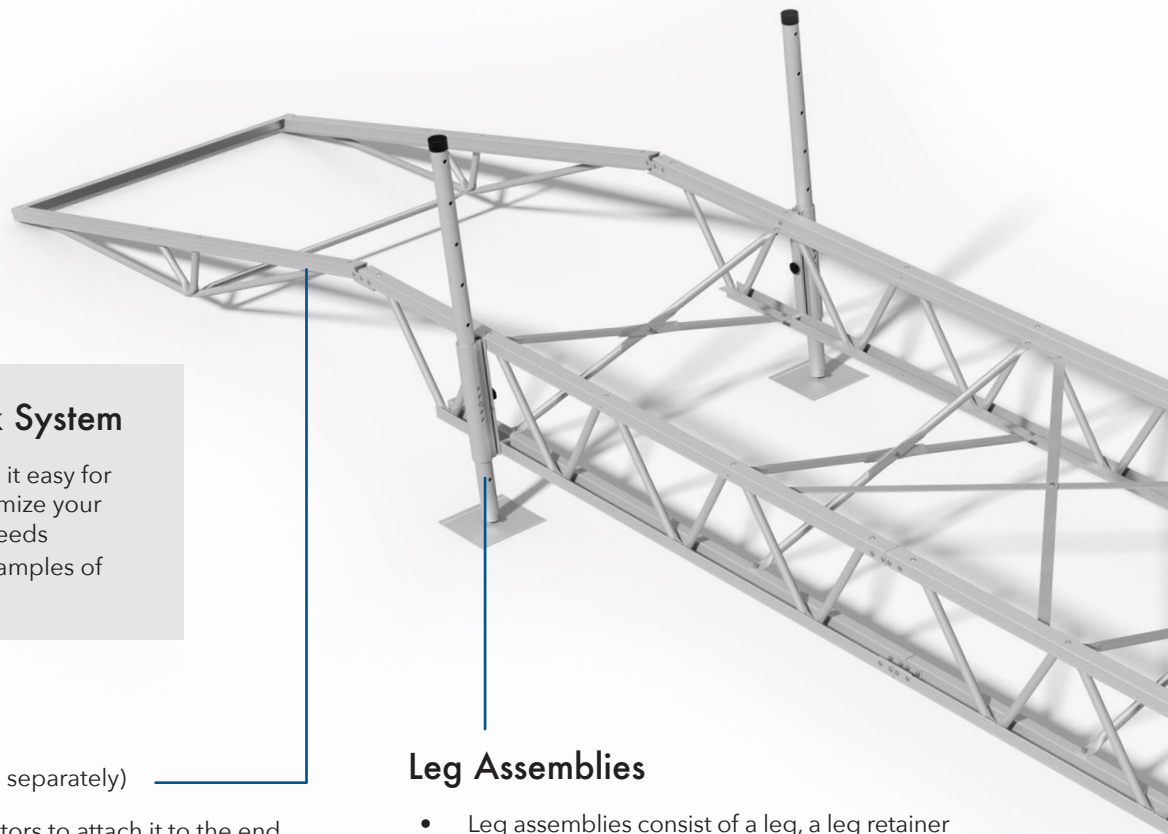


# Truss Dock

## The FENDOCK Truss Docks are the most user friendly aluminum docks on the market!

Fendor Glass & Aluminum has been manufacturing aluminum docks since 1955, and continues to research and implement ways to make docks easy to use, efficient, effective, attractive and affordable while out-performing and out-lasting the competition. What makes FENDOCK so special? - many things!

- Made in Canada
- Family owned and operated
- Environmentally friendly components
- All aluminum with stainless steel hardware
- Bolted system (not welded)
- Knocks down for easy and affordable shipping
- Easy to assemble (no special tools required)
- Accessories can be added on at any time
- Can be joined together in many different configurations
- Height adjustments are easy with our fast pin that allows for adjustments of 1" increments
- Easy to remove decking panels



### Versatile, Truss Dock System

- Our dock system makes it easy for you to create and customize your dock to best suit your needs
- See page 4 for a few examples of possible configurations

### Approach Ramp (sold separately)

The ramp comes with connectors to attach it to the end of the dock as shown. It can also be attached to the side of the dock (additional connectors required). Ramp will pivot up or down.

#### **CAUTION**

*Damage may result if care is not exercised with heavy boats and/or rough water. In such cases, boats should be moored away from the dock or should be on a boat lift.*

### Leg Assemblies

- Leg assemblies consist of a leg, a leg retainer (holder), a stainless steel fastpin, a base plate, a cap & all necessary hardware
- The legs are made from a structural tubular aluminum, 2" in diameter
- The stainless steel fastpins allow you to make adjustments to the height of your dock quickly and easily without any tools
- The 9" base plates are made from extruded aluminum and are self-leveling
- Leg assemblies are included with all Truss docks

View assembly videos online at [www.fendock.com](http://www.fendock.com)

## Fendock Truss Docks

- Truss docks are available in 16', 24', 32' & 40' lengths (longer lengths are available)
- The pre-assembled aluminum side trusses are broken down into 8' modules for easy transport, and connect together with couplers
- Truss Docks come with hold-down decking clips, and all required hardware for assembly
- The 16' and 24' lengths come with two 4' and two 8' leg assemblies
- The 32' and 40' lengths come with two 4' and four 8' leg assemblies
- Truss Docks are available in 4', 6' & 12' widths

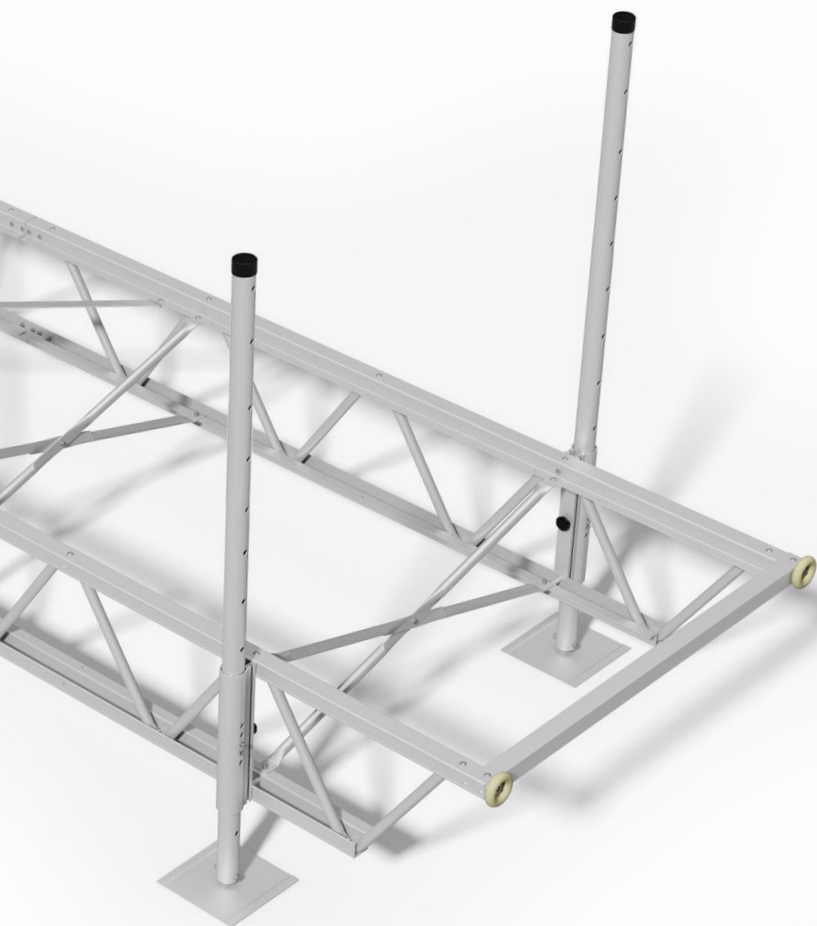
### Strong, Safe & Lightweight

Being a versatile and adaptive dock system, Fendock brings you year after year of summer enjoyment. Made of the finest quality structural aluminum, Fendock is environmentally friendly and maintenance free!

No annual repairs or rebuilding are required. Professionally designed and tested, **Fendock has been satisfying docking needs since 1955!**

### Assembly is a snap!

No special tools are required to assemble your Fendock! Your Fendock can be quickly assembled and is a breeze to put in and take out of the water. Complete Fendock systems and accessories are packaged with handling and portability in mind.



8' x 4' Ramp, 16' x 4' Dock shown above.

Decking Options Available.  
See page 19 for more details.

# Truss Dock

## Modular Components

**Kit E** = 8' x 4' Approach Ramp - PN99206

**Kit F** = 8' x 6' Approach Ramp - PN99207

**Kit A** = 8' End Module Truss Kit - PN99251

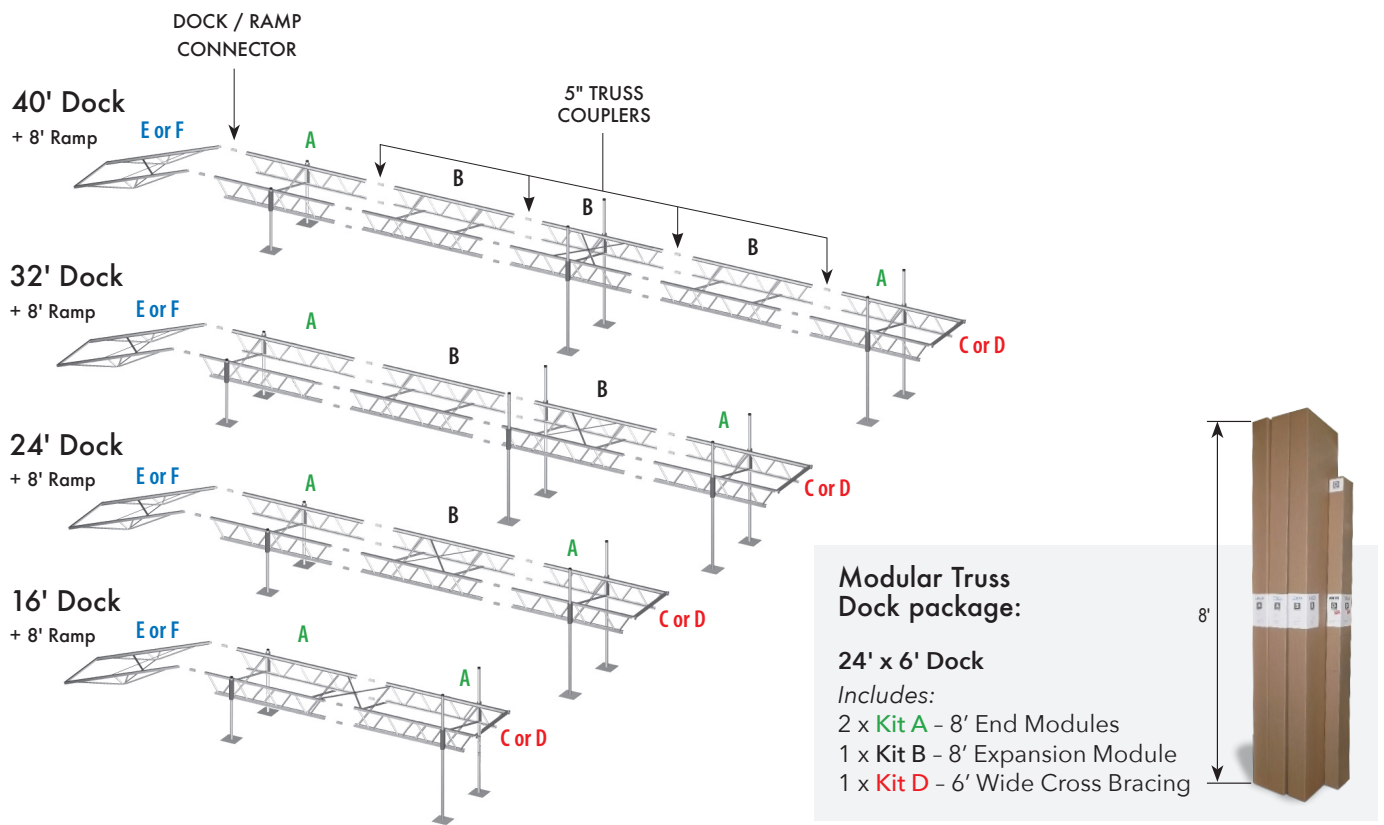
**Kit B** = 8' Expansion Module Truss Kit - PN99252

**Kit C** = 4' Wide Dock Bracing Kit - PN99261

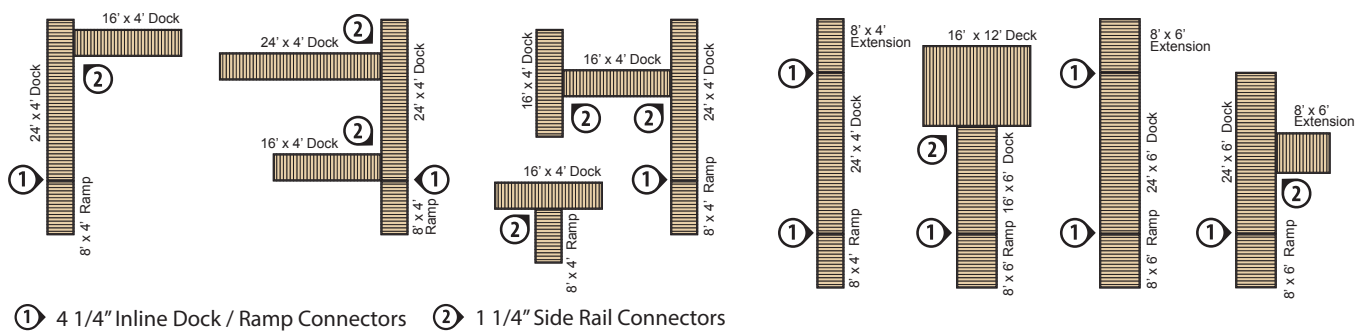
**Kit D** = 6' Wide Dock Bracing Kit - PN99262

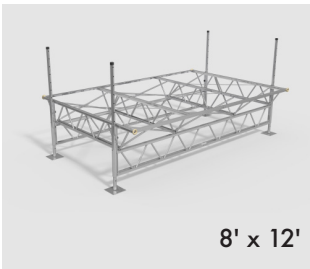
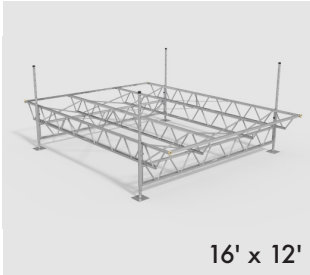
**Kit K** = Support Kit 32' / 40' docks, 4' wide - PN99264

**Kit L** = Support Kit 32' / 40' docks, 6' wide - PN99265



Some example configurations using our standard docks, ramps, and 8' extensions





## 12' Wide Docks

- Available in 8', 16' or 24' lengths
- Have four trusses the length of the dock (8', 16' or 24') and 12' wide lower trusses running between the legs for unparalleled strength and endurance
- All legs supplied with 12' docks are 8' in length

12' wide:	8' x 12'	PN99402
	16' x 12'	PN99400
	24' x 12'	PN99401



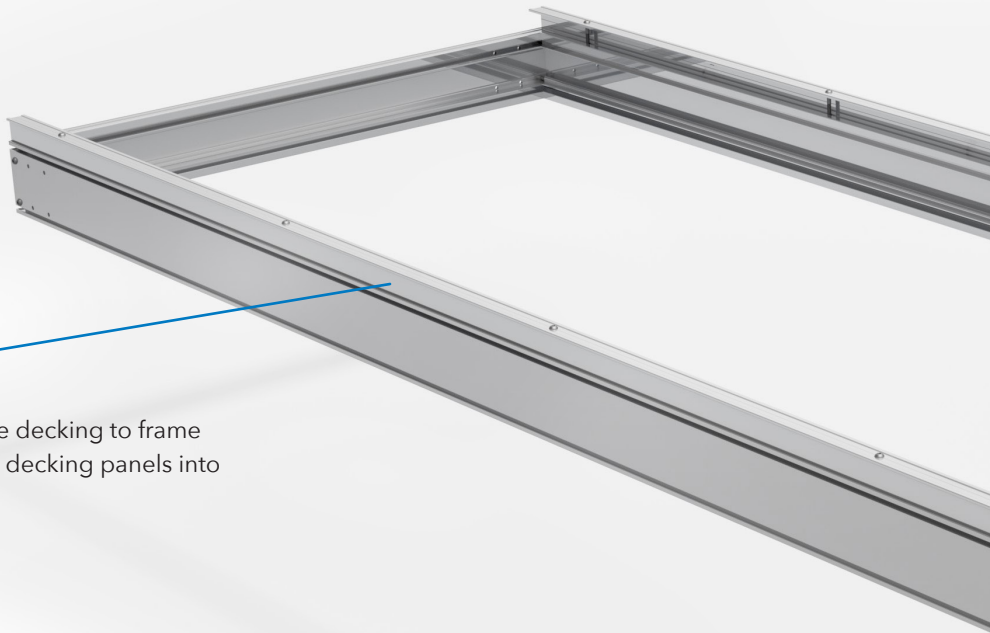
*Cantilevered 24' long assembly with 8' x 12' Truss deck incorporated at the end.*

# Frame Dock

---

## Fendock Frame Docks

- Frame docks are available in 10' lengths and 4', 6', 8' and 10' widths
- The extrusion is bolted together with counter sunk bolts allowing the docks to be coupled flush together end to end or side to side using our coupling kit (PN98209)
- Frame docks come with a pair of rail retainers to hold down the decking and all required hardware for assembly
- Each Frame dock comes with two 5' legs



## Deck Rail Retainer

- Aluminum hold down angle to secure decking to frame
- Deck Rail Retainer bolts between the decking panels into the pre-threaded channel below

## Frame Dock Features & Benefits

- Made in Canada
- Maintenance- free and environmentally friendly
- Durable, lightweight, constructed of aluminum
- Connects seamlessly to Fendock Floating docks
- Legs attach inside the frame allowing end to end and side to side configurations.
- Top decking is easy to make yourself from dimensional 2" x 6" lumber, 5/4 " x 6" lumber, or available in pre-assembled maintenance free aluminum and ThruFlow decking
- Multiple configuration options to suit your needs
- Many accessories are available

View assembly videos online at [www.fendock.com](http://www.fendock.com)

### Leg Assemblies

- Leg assemblies consist of a leg, a leg retainer (holder), a base plate, a cap, two stainless steel set screws & all necessary hardware
- The legs are made from a structural tubular aluminum, 2" in diameter
- The stainless steel set screws allow you to adjust the height of your dock
- The 9" aluminum base plates are made from extruded aluminum and are self-leveling
- The 9" leg retainer attaches to the inside corner of the dock, allowing the docks to connect side to side or end to end
- Two 5' leg assemblies are included with all docks, the 5' leg can accommodate up to 4' of water. Legs can be upgraded to 8' legs to accommodate up to 7' of water

Any Frame dock can be used as an approach ramp. The legs provided with the section being used as the ramp would be used on the next section. It can also be attached to the side of the dock (hinge relocation kit would be required). Ramp will pivot up and down. After coupling more than two Frame dock sections together, extra hinges (PN98116) will be required.

### CAUTION

*Damage may result if care is not exercised with heavy boats and/or rough water. In such cases, boats should be moored away from the dock or should be on a boat lift.*

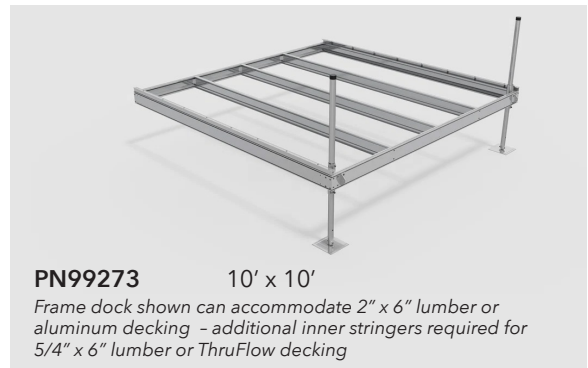
10' x 4' Frame Dock shown above.

# Frame Dock

## Fendock Frame Docks

- 5.5" extruded aluminum frame
- Extrusion connects together with counter sunk bolts allowing Frame docks to be coupled together end to end or side to side using our coupling kit (PN98209)
- Frame docks are available in 10' lengths and 4', 6', 8' and 10' widths
- Each 10' Frame dock comes with two 5' leg assemblies, one set of hinges, 2 rail retainers for decking and all hardware required for assembly
- 5' legs can accommodate up to 4' of water. Legs can be upgraded to an 8' leg that will accommodate up to 7' of water
- Frame dock legs mount inside the frame and are adjusted by set screws
- Accessories can be added on at anytime
- Standard Frame docks can accommodate 2" x 6" dimensional lumber or pre-assembled aluminum decking
- Frame docks that accommodate decking made with 5/4" x 6" lumber and ThruFlow decking have additional inner stringers and a smaller rail retainer

Decking options available separately



### Frame Dock Leg Retainer

- 9" leg retainer
- Attaches to the inside of Frame dock
- Leg height is adjusted using set screws

**PN46001**

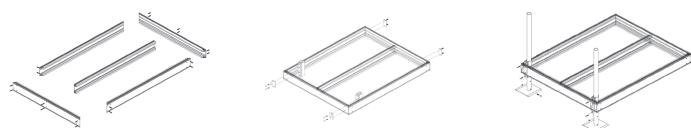


Frame docks from shore connected to Floating dock ramp and floating dock





**FENDOCK Frame Dock assembly example:** 10' x 4' connected to 10' x 6' turned sideways. In this configuration, we have taken the two legs that come with the 10' x 4' section, we attached them to the 10' x 6' section, and we used the 10' x 4' section as a ramp. Dock & ramp in Black Anodized Aluminum. Decking in Mill Finish Aluminum.



### Small Upper Bumper

- 10' length
- Is held on by deck retaining rail
- Compatible with Frame and Floating docks
- Can not be used with 5/4" or ThruFlow decking

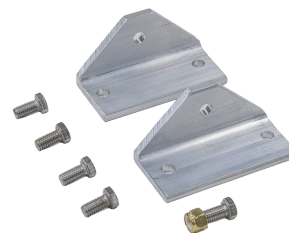
PN90100



### Large Lower Bumper

- 10' length
- Bumper is inserted in track on the 5.5" aluminum frame.
- Compatible with Frame and Floating docks

PN90200



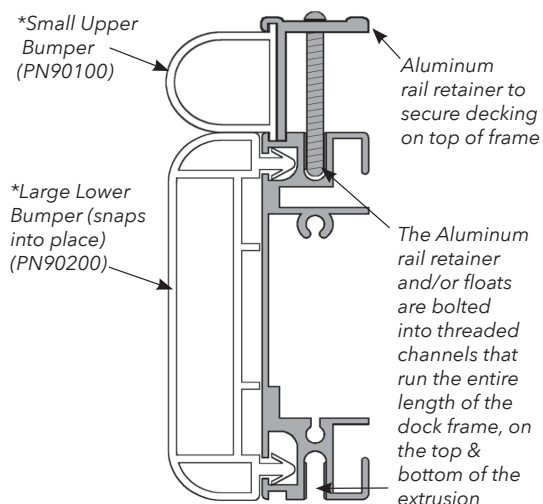
### Frame Dock Hinge

- Aluminum hinge with stainless steel hardware
- Bolt and nut connection for easy disconnect
- Comes as shown
- Each Frame dock comes with 1 assembly as shown above

PN98116

### The Aluminum Structure (Frame and Floating Docks)

Our frame docks and floating docks use a very unique custom aluminum extrusion for their framework, designed exclusively for use by Fendock. The frame bolts together which allows for affordable shipping or easy transportation in its knocked down state. On site assembly is effortless with all connections being factory prepared.



\* Available as an option.

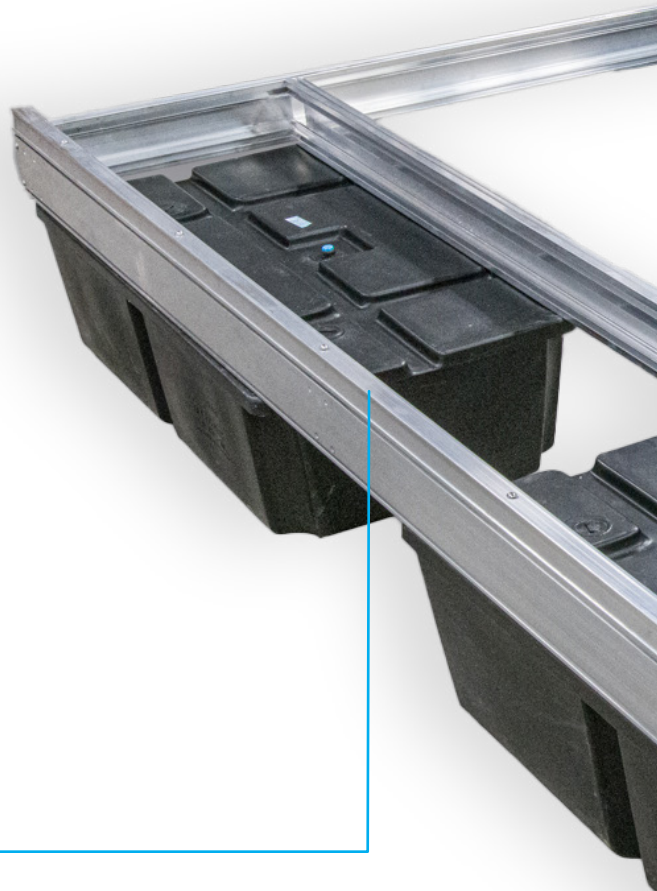
# Floating Dock

---

## Fendock Floating Docks

- 5.5" extruded aluminum frame
- Floating docks start at 8' wide x 10' long and can be made to a maximum size of 20' x 20'
- Ramps come in 10', 12' and 14' lengths and 4' or 6' widths
- Optional Modular Floating docks come in 8' and 10' lengths and 4', 6', 8' and 10' widths
- The extrusions bolt together with counter sunk bolts allowing our Floating docks to be coupled together using our coupling kit (PN98209) to make larger floating dock sections. Sections can also be hinged together
- Each Floating dock comes with a pair of rail retainers for decking, all floats and hardware required for assembly
- Floats bolt into a pre-threaded channel on the bottom of the extrusion
- Accessories can be added on at any time
- Floating docks can accommodate 2" x 6" dimensional lumber, aluminum decking, 5/4" x 6" lumber and ThruFlow decking (5/4" x 6" lumber and ThruFlow decking on Floating docks requires additional inner stringers)

*Decking options available separately*



### Deck Rail Retainer

- Aluminum hold down angle to secure decking to frame
- Deck Rail Retainer bolts between the decking panels into the pre-threaded channel below

View assembly videos online at [www.fendock.com](http://www.fendock.com)

### Floats

- Floats bolt to a pre-threaded channel that runs along the bottom of the floating dock extrusion
- Hardware to attach floats is included
- All floats supplied by Fendock are foam filled
- 2' x 4' x 12" deep
- Each float has a buoyancy of 400 lbs



10' x 8' Floating Dock shown above.

### CAUTION

*Damage may result if care is not exercised with heavy boats and/or rough water. In such cases, boats should be moored away from the dock or should be on a boat lift.*

# Floating Dock



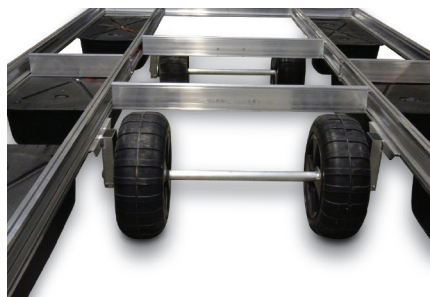
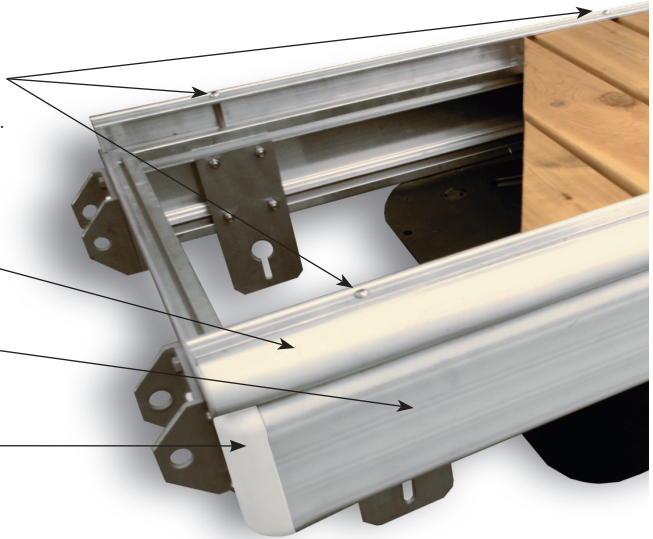
Shown above: Approach ramp consisting of 2- 16' x 4' Floating dock ramps coupled together and 1- 10' x 10' Floating dock with a 20' x 10' Floating dock on either side.

**Small Upper  
Bumper  
PN90100**

Bolts to fasten rail  
retainer for decking are  
bolted between 2" x 6"  
decking planks and do  
not penetrate the wood.

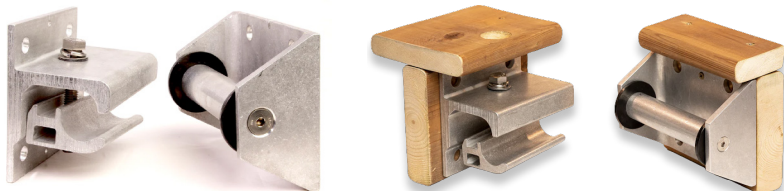
**Large Lower  
Bumper  
PN90200**

**Bumper Corner Cap**  
Can be used to join two  
bumpers in a corner, or  
as an end cap.  
**PN01507**



## Floating Dock Wheel Kits

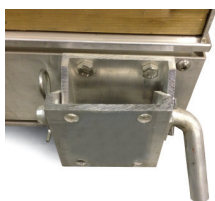
In some situations Floating Docks can be left in the water during the winter freeze. In situations where they cannot, wheel kits can assist in removal.



### Fendock Hitch Hinge

- Aluminum Hinge with stainless steel hardware
- User friendly for easy disconnect
- Sold in pairs

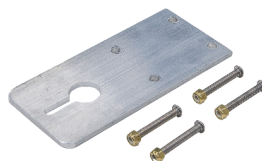
PN98208



### Floating Dock Hinges

- Two models available, aluminum or stainless steel
- Hitch pin for easy disconnect

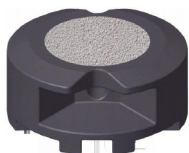
PN98200 - Aluminum  
PN98206 - SS, Heavy Duty



### Anchor Plates

- Keyhole cutout for chain
- Stainless steel hardware included

PN98020



### Anchor Form

- Fill with cement
- Open port for chain

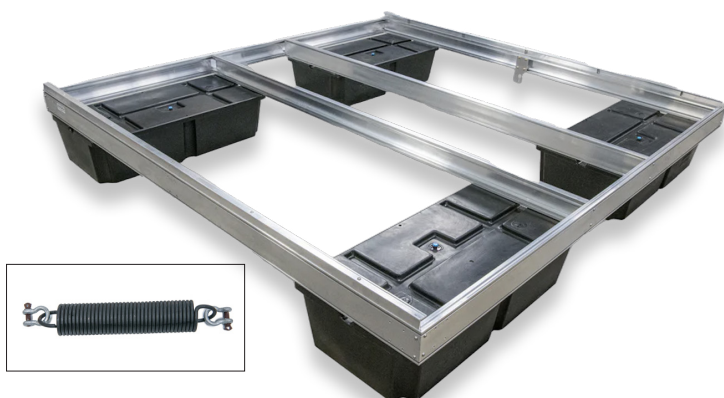
PN01046



### Floats

- Made from HDPE (high density polyethylene)
- Foam filled
- 2' x 4' x 12" deep
- Buoyancy of 400 lbs

PN97020 - M



### 10' x 10' Swim Raft

- 5.5" Aluminum extruded frame
- Bolts together
- 2 Aluminum rail retainers to secure decking
- Floats bolt to bottom of frame
- Comes with 4 floats and center anchor spring

PN99278

Decking options available separately

# Accessories

## Ladders

Ladders have a curved walk-through top. Deluxe ladders are constructed of sturdy 1 1/2" round aluminum tube and come with 4 steps. Quick release mounting brackets included. The Flip-Up ladder is made from 1" square tube and comes with mounting hardware.



Quick release mounting bracket. Included with deluxe ladders



### PN98021-MILL

Deluxe ladder with 3" wide stainless steel steps.

### PN98023-MILL

Deluxe ladder with 5 1/2" wide aluminum steps for added comfort.

### PN98038

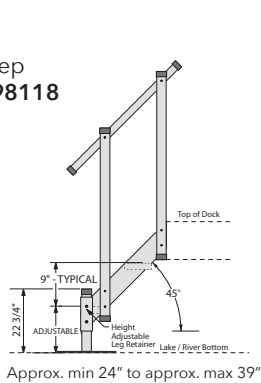
Flip-Up ladder with 5 1/2" wide aluminum steps.

## DockStairs

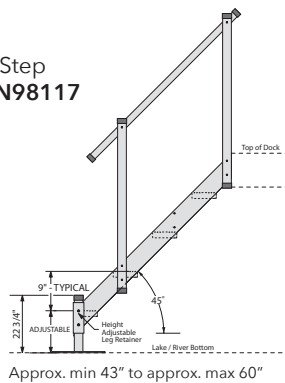
Attractive, safe and durable, DOCKSTAIRS will make it easy for anyone to enter and exit the water safely and in comfort. Our modular 2-STEP and 4-STEP stairs can be used independently or combined to create 6-STEP and 8-STEP configurations.

- Comes with one handrail and a 5 1/2" wide stair tread
- Rise between steps is 9"
- Adjustable leg at bottom step

### 2 Step PN98118



### 4 Step PN98117



4 - step  
PN98117



2 - step  
PN98118



6 Step  
PN98117 + PN98120  
(2 - step extension)  
Approx min 61" to Approx. max 76"



8 Step  
PN98117 + PN98119  
(4 - step extension)  
Approx. min 80" to Approx. max 94"



### Deluxe Wheel Kit

These heavy-duty wheels are 24" in diameter and 8" wide. They are made from polyethylene and are U.V. stabilized. These wheels are hollow and fill with water when rolled in.

PN98000



### Fendock Leveling Kit

- Designed for Truss Docks
- Allows you to adjust the height of your Fendock Truss Dock without entering the water

PN98002

### Dock "Lift Kit"

- Requires a permanent shoreline structure to hinge from
- Requires a structure to mount the winch to
- Allows for hinging the dock up for winter months
- Hinges must be out of range of ice buildup/movement
- Fold-away tower lies under the decking during the summer months
- Includes tower, spreaders, hinges, winch, cables and ropes
- Available for Truss Docks only

- PN98360 - 4' Wide Tower
- PN98361 - 6' Wide Tower
- PN98362 - 12' Wide Tower



# Accessories



## Side Rail Bumper

- 4' long x 6" wide
- Available as a pair or singles
- Connects to Fendock Truss Dock

**PN98900** - 2-Pack (incl. hardware)  
**PN10000** - Single (no hardware)



## Vertical Fendock Bumper

- Slides over Fendock Truss Dock Leg retainer

**PN98030** - 4-Pack  
**PN90001** - Single



## Vertical Bumper (35")

- Connects to Fendock Truss Docks, Frame Docks and Floating Docks
- Provides 35" of protection to your dock/boat
- Mounting hardware supplied

**PN98037**



## Corner Bumper

- Air filled Nylon reinforced Vinyl Bumper
- Fits on Fendock Truss Docks, providing corner protection

**DE10571F**



## Torpedo Bumper

- Slides over Fendock Truss Dock leg and leg retainer
- 23" Long

**DE91120F**



## Fold-Down Dock Cleat

- 6" cast aluminum
- White powder coated paint finish
- Mounting hardware included

**PN98025**

## Kayak Stabilizer

- Helps to stabilize your kayak when you are getting in and out of the vessel
- When not in use, the stabilizer arms can be adjusted and turned to store under the dock and out of the way of boats
- Made of 1 1/2" square aluminum
- 30" leg retainer and all necessary hardware to attach to Fendock's Truss or Frame dock

**PN98064**







### Fendock Bench

- 48" length is standard size
- Attaches to Fendock Truss Dock and Frame Docks
- Single supports available for purchase allowing customers to make longer configurations up to 96"
- Available with 2" x 6" dimensional lumber planks or aluminum planks

PN98050 - Wood planks

PN98051 - Aluminum planks

PN97221S - Single Frame Support



### Kayak Rack

- Mounts to the side of the Truss or Frame Dock
- Holds two kayaks or paddle boards
- Made of 1 1/2" square aluminum

PN98065



### Boat Rack

- 30" arms for a canoe, kayak, paddleboard, or windsurfer
- Aluminum arms swing out of the way when not in use
- Can be set up for different length boats
- Double rack shown

PN98056 - Single (comes w/ 1-leg, 1-retainer) (to be used with existing leg on dock)

PN98057 - Double

PN98058 - Triple

### Telescopic Deep Water Kit

Can be used on Truss and Frame Style Docks. Recommended for water depths over 3'.

PN98012 - 4' wide docks

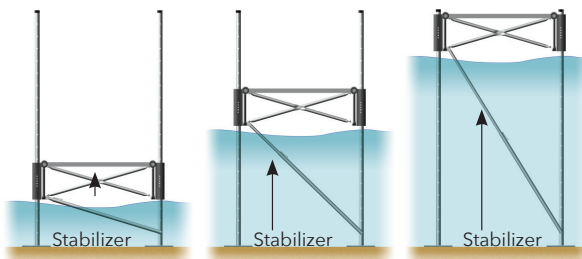
PN98013 - 6' to 12' wide docks



Constructed of structural tubular aluminum extrusion, our telescopic deep water stabilizer can be used on Fendock stationary pipe docks in water depths ranging from 1' to 6.5'.

It easily self-adjusts when leveling your dock - just loosen the lever nut, level your dock and tighten the lever nut.

**Your dock is now rock solid.**



1. Loosen the lever nut
2. Adjust and level your Fendock
3. Tighten the lever nut

# Accessories

## Solar Dock Lights

- 5 lumens white light
- Fits over top of leg post

CH2233S



## Solar Dock Lights

- 10 Lumens
- Fits over top of leg post
- 6 possible colors to choose from with the press of a button
- Sold as a pair

DE96258F



## Deckmount Aluminum Solar Light

- 5 lumens
- Screws to decking

DE96307F

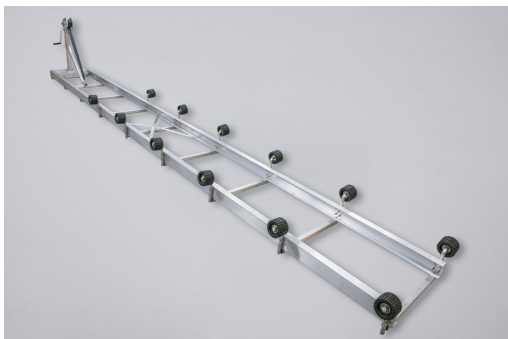


## SINGLE 20' Boat Roller Ramp

5 sets of "Single" Rollers and a 1,400 lbs. Capacity winch

**PN99100** - 20' SINGLE Roller Ramp

**PN99105** - 10' SINGLE Roller Ramp Extension (not shown)



## DOUBLE 20' Boat Roller Ramp

5 sets of "Double" Rollers and a 2,000 lbs. capacity winch

**PN99101** - 20' DOUBLE Roller Ramp

**PN99106** - 10' DOUBLE Roller Ramp Extension (not shown)



## Lifting Bar

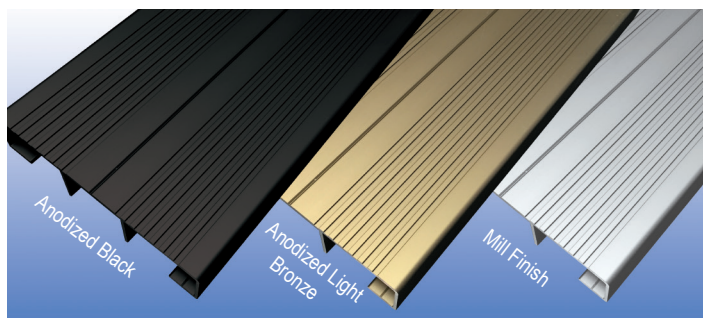
- Lift bar for lifting/pulling Truss Dock in/out of water (cross bracing is not meant to lift/pull/push dock)



Carrying Handle

**PN40009** - 4' wide dock

**PN40008** - 6' wide dock



### Extruded Aluminum Decking Colours

- Aluminum decking is available in Mill Finish or Special Order Black or Light Bronze Anodized Finish
- Environmentally friendly
- Will not warp or require seasonal treatments
- Extruded shape, with ridges helps to prevent slipping
- Mill finish aluminum decking is cooler than wood decking
- Consistent weight
- Panels come pre-assembled

### ThruFlow Reinforced Polypropylene Decking

- UV Resistant
- Environmentally friendly
- Non-slip
- Maintenance-free
- Pre-assembled decking panels
- Lightweight

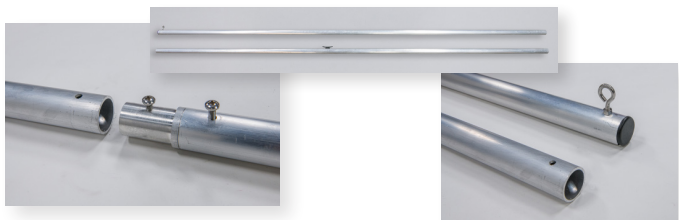


### Flag Poles

- 1 1/2" diameter mill finish aluminum
- 10' or 20' long
- 20' flag pole is two 10' lengths coupled together
- Fits into Fendock's round leg post

**PN98041** - 20' Pole

**PN98040** - 10' Pole



### Mooring Whips

- Fiberglass rods/cast aluminum bases
- Braided marine mooring & whip lines
- Holds boat away from dock

Boat Weight	Whip Length	Product Number
2,500 LBS	8'	3200-F
5,000 LBS	12'	3400-F
10,000 LBS	14'	3600-F
20,000 LBS	16'	3800-F



### Mooring Whip "U" Bracket

Required when using mooring whips on Fendock Truss Docks. Secures whip mounts to frame of the dock (not just the decking panel).

**PN98010** - For standard decking

**PN98011** - For decking on top of dock frame

46 Auriga Drive, Ottawa, Ontario K2E 7Y3  
Tel. 613-722-6581, Fax. 613-722-3168  
Toll Free 1-888-FENDOCK (336-3625)  
info@fendock.com

[www.fendock.com](http://www.fendock.com)