



CNC
INDUSTRIES LTD.

**PREMIUM
COMPONENTS FOR
CATERPILLAR®
D10 DOZER**

COMPONENT IDENTIFICATION

RIPPER REBUILD KITS

SINGLE

MULTI

BLADE REBUILD KITS



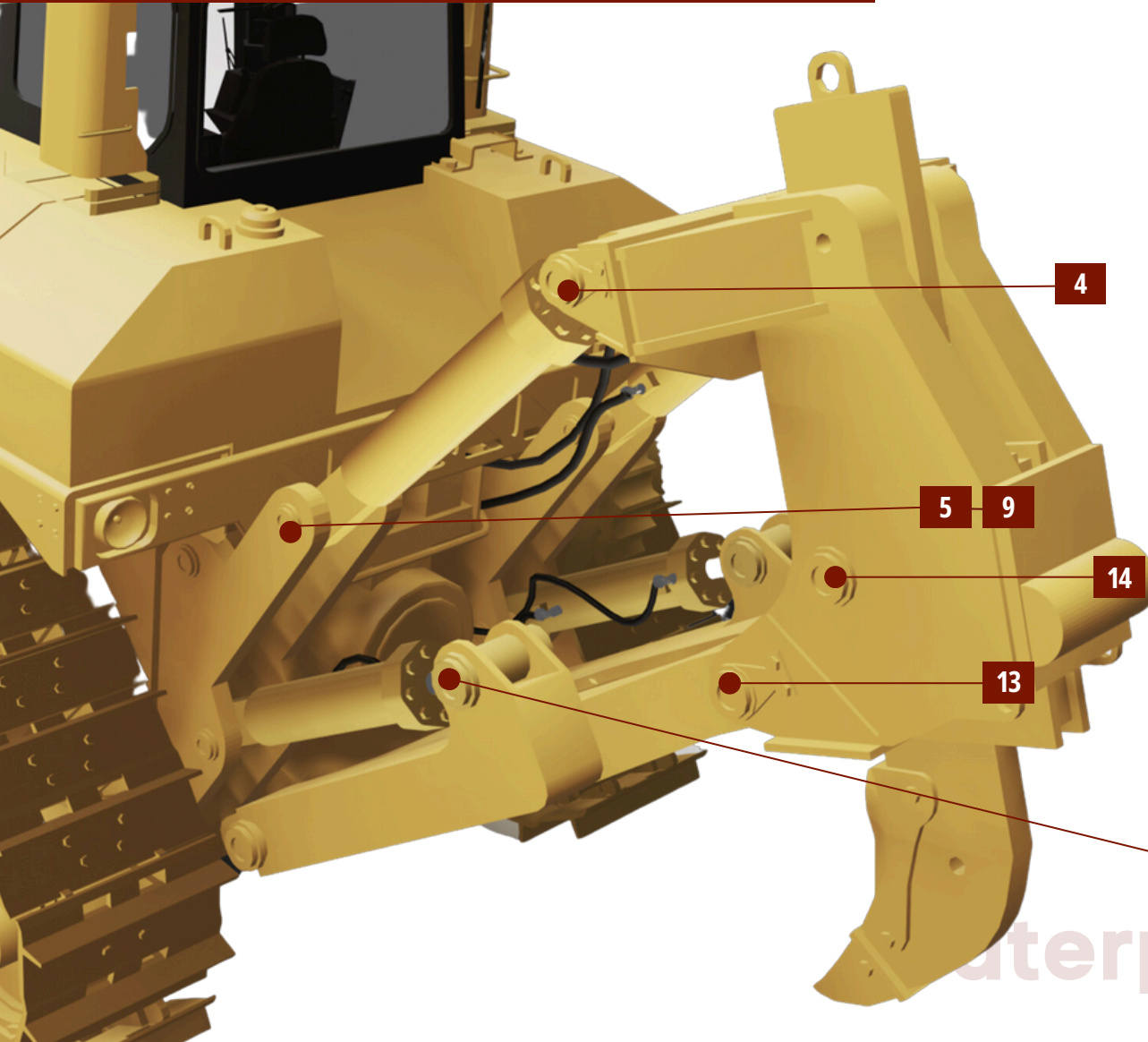
Caterpillar® D10 Dozer



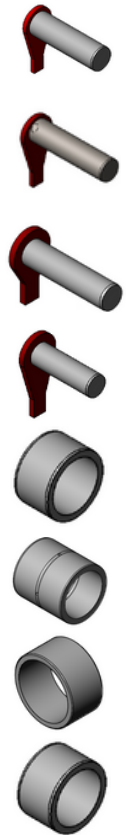
+1 (780) 469-2346
www.cncindustries.com
mining@cncindustries.com
3291 8 St, Nisku, AB T9E 8T3

RIPPER REBUILD KITS

D10T SINGLE RIPPER REBUILD KIT



- CNC 3-041 - OEM 9J6689**
 DESCRIPTION: PIN QTY 2
 LOCATION: RIPPER CARRIAGE ASSY TO RIPPER FRAME **1**
- CNC 3-036 - OEM 9J6691**
 DESCRIPTION: PIN QTY 2
 LOCATION: RIPPER FRAME TO RIPPER LIFT CYL **3**
- CNC 3-5003 - OEM 132-7994**
 DESCRIPTION: PIN QTY 2
 LOCATION: RIPPER TILT CYL. TO RIPPER CARRIAGE ASSY. **4**
- CNC 3-055 - OEM 9J9055**
 DESCRIPTION: PIN QTY 2
 LOCATION: RIPPER TILT CYL. TO CASE **5**
- CNC 3-1830 - OEM 2V1256**
 DESCRIPTION: BUSHING QTY 4
 LOCATION: CASE TO RIPPER TILT CYL (CASE) **9**
- CNC 3-342 - OEM 4T1422**
 DESCRIPTION: BUSHING QTY 2 - 4
 LOCATION: RIPPER FRAME TO RIPPER CARRIAGE (RF) **12**
- CNC 3-474 - OEM 2V0447**
 DESCRIPTION: BUSHING QTY 4
 LOCATION: RIPPER FRAME TO RIPPER CARRIAGE **13**
- CNC 3-1830 - OEM 2V1256**
 DESCRIPTION: BUSHING QTY 4
 LOCATION: RIPPER CARRIAGE TO RIPPER TILT CYL. **14**



CATERPILLAR® D10 DOZER
D10T SINGLE RIPPER REBUILD KIT

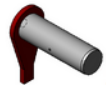
Caterpillar® D10 Dozer



+1 (780) 469-2346
www.cncindustries.com
mining@cncindustries.com
 3291 8 St, Nisku, AB T9E 8T3

RIPPER REBUILD KITS

D10T SINGLE RIPPER REBUILD KIT



2

CNC 3-093 - OEM 111-2106
DESCRIPTION: PIN QTY 2
LOCATION: RIPPER FRAME TO DOZER FRAME



6

CNC 3-085 - OEM 7T7222
DESCRIPTION: PIN QTY 2
LOCATION: RIPPER LIFT CYL. TO DOZER FRAME



7

CNC 3-712 - OEM 3T9658
DESCRIPTION: BUSHING QTY 2
LOCATION: DOZER FRAME TO RIPPER FRAME (DF)



8

CNC 3-528 - OEM 3T8459
DESCRIPTION: BUSHING QTY 4
LOCATION: DOZER FRAME TO RIPPER LIFT CYL. (DF)



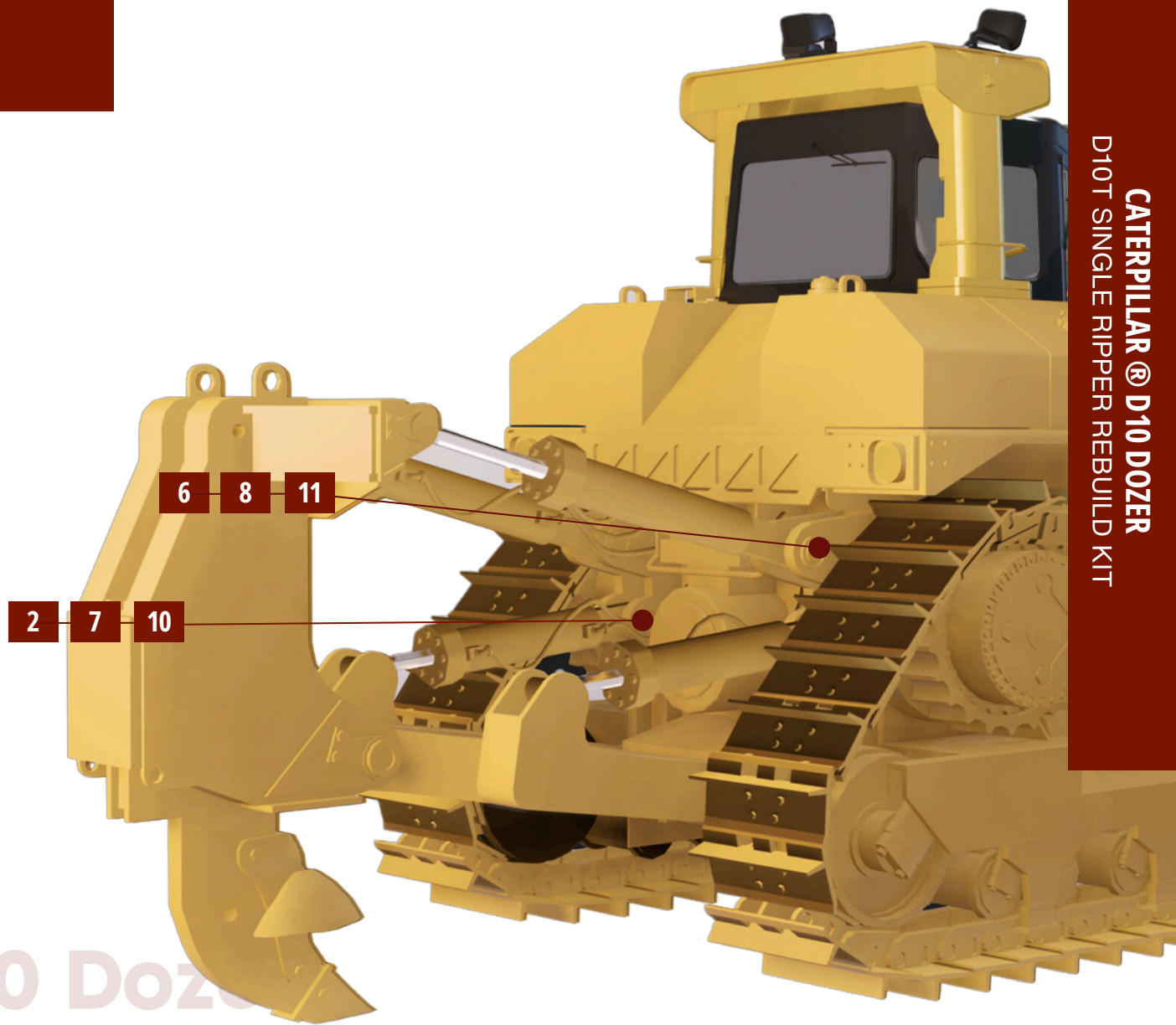
10

CNC 3-474 - OEM 2V0447
DESCRIPTION: BUSHING QTY 4
LOCATION: RIPPER FRAME TO DOZER FRAME (RF)



11

CNC 3-1974 - OEM 133-2015
DESCRIPTION: BUSHING QTY 4
LOCATION: RIPPER FRAME TO RIPPER LIFT CYL. (RF)



CATERPILLAR® D10 DOZER
D10T SINGLE RIPPER REBUILD KIT

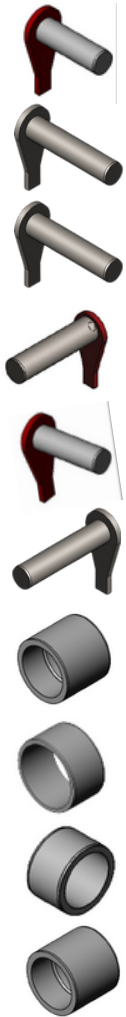
Caterpillar® D10 Dozer



+1 (780) 469-2346
www.cncindustries.com
mining@cncindustries.com
3291 8 St, Nisku, AB T9E 8T3

RIPPER REBUILD KITS

D10R MULTI RIPPER REBUILD KIT



- 1

CNC 3-093 - OEM 111-2106
 DESCRIPTION: PIN QTY 2
 LOCATION: RIPPER FRAME TO DOZER FRAME
- 2

CNC 3-284 - OEM 7T7303
 DESCRIPTION: PIN QTY 2
 LOCATION: RIPPER FRAME TO RIPPER CARRIAGE ASSY.
- 3

CNC 3-2760 - OEM 9W6343
 DESCRIPTION: PIN QTY 2
 LOCATION: RIPPER TILT CYL. TO
 RIPPER CARRIAGE ASSY.
- 4

CNC 3-036 - OEM 9J6691
 DESCRIPTION: PIN QTY 2
 LOCATION: RIPPER LIFT CYL TO RIPPER FRAME.
- 5

CNC 3-055 - OEM 9J9055
 DESCRIPTION: PIN QTY 2
 LOCATION: RIPPER TILT CYL TO CASE.
- 6

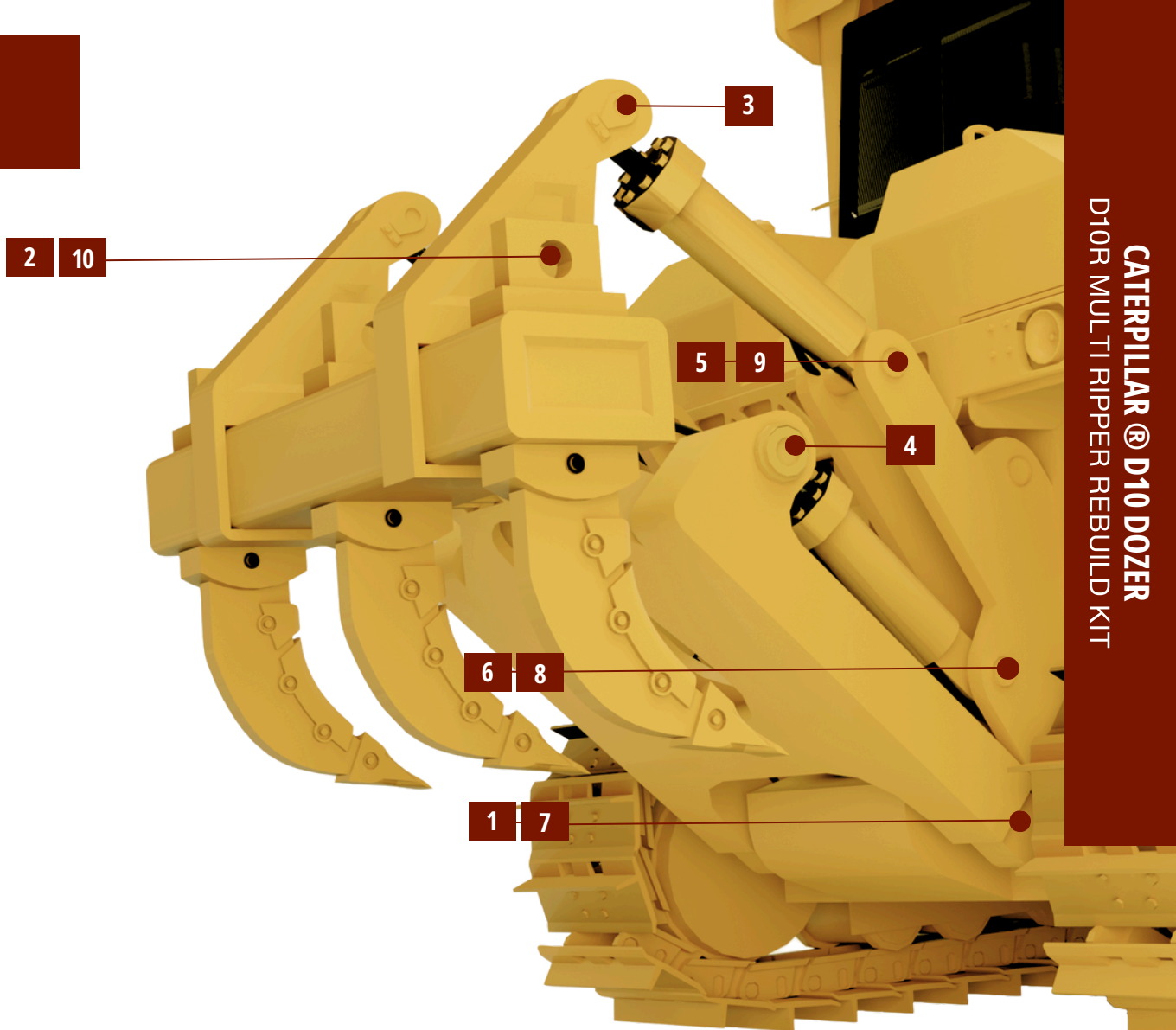
CNC 3-2760 - OEM 9W6343
 DESCRIPTION: PIN QTY 2
 LOCATION: RIPPER TILT CYL. TO RIPPER CARRIAGE
 ASSY.
- 7

CNC 3-712 - OEM 3T9658
 DESCRIPTION: BUSHING QTY 4
 DOZER FRAME TO RIPPER FRAME (DF)
- 8

CNC 3-528 - OEM 3T8459
 DESCRIPTION: BUSHING QTY 4
 LOCATION: DOZER FRAME TO RIPPER LIFT CYL. (DF)
- 9

CNC 3-1830 - OEM 2V1256
 DESCRIPTION: BUSHING QTY 4
 LOCATION: CASE TO RIPPER TILT CYL (CASE).
- 10

CNC 3-505 - OEM 7T7190
 DESCRIPTION: BUSHING QTY 4
 RIPPER FRAME TO RIPPER CARRIAGE ASSY.(RF)



CATERPILLAR® D10 DOZER
 D10R MULTI RIPPER REBUILD KIT

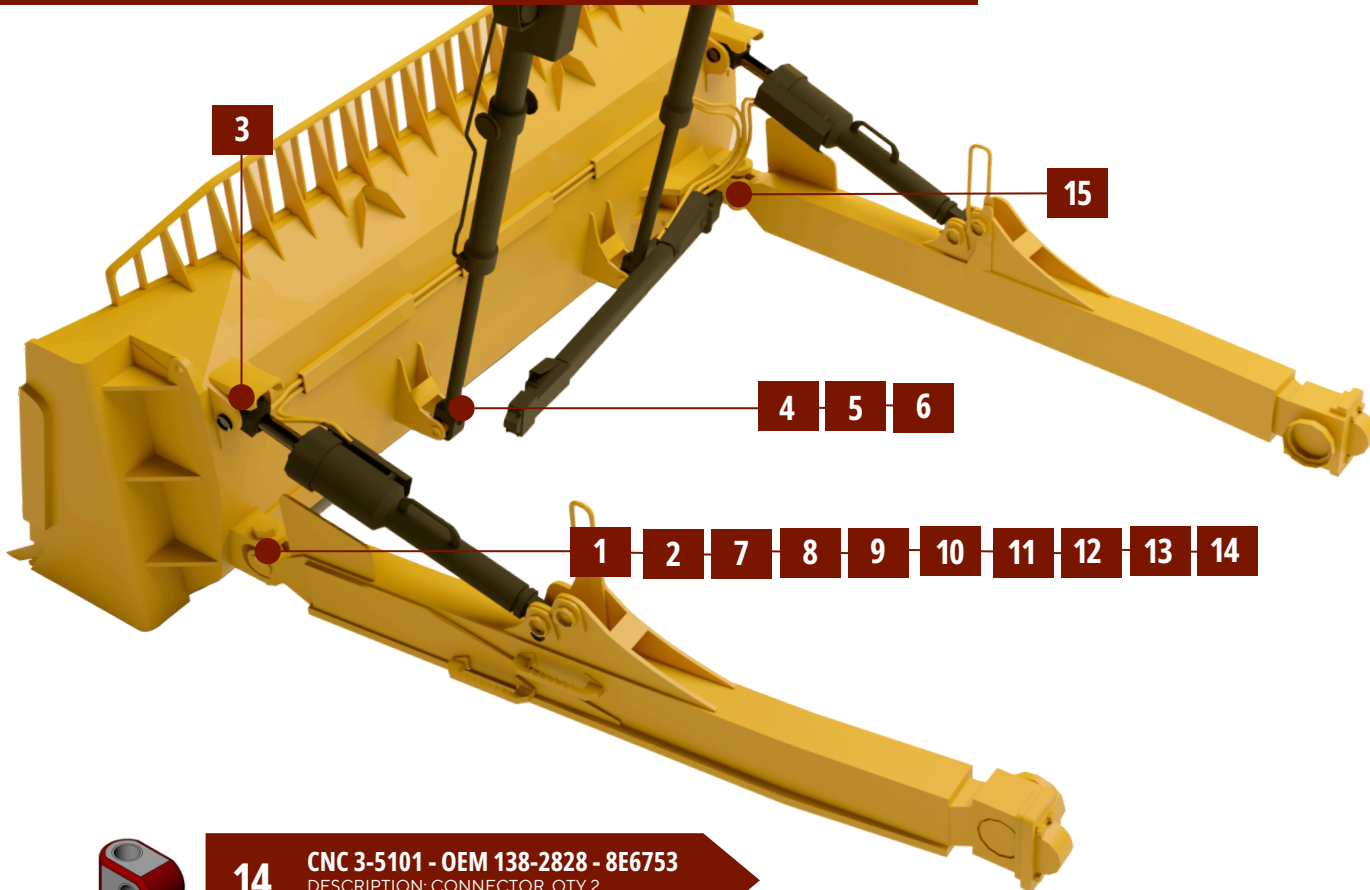
Caterpillar® D10 Dozer



+1 (780) 469-2346
www.cncindustries.com
mining@cncindustries.com
 3291 8 St, Nisku, AB T9E 8T3

BLADE REBUILD KITS

D10T BLADE REBUILD KIT



14

CNC 3-5101 - OEM 138-2828 - 8E6753
 DESCRIPTION: CONNECTOR QTY 2
 LOCATION: PUSH ARM TO BLADE



15

CNC 3-304 - OEM 9J6067
 DESCRIPTION: TRUNNION BALL QTY 1
 LOCATION: STABILIZER LINK TO BLADE

- CNC 3-204 - OEM 3G8052**
 DESCRIPTION: BUSHING QTY 2
 LOCATION: PUSH ARM CONNECTOR TO BLADE, RH

1
- CNC 3-204 - OEM 3G8052**
 DESCRIPTION: BUSHING QTY 2
 LOCATION: PUSH ARM CONNECTOR TO BLADE, LH

2
- CNC 3-039 - OEM 7T4810**
 DESCRIPTION: PIN QTY 2
 LOCATION: TILT CYLINDER TO BLADE

3
- CNC 3-065 - OEM 9W2939**
 DESCRIPTION: PIN QTY 2
 LOCATION: BLADE TO BLADE CONNECTOR

4
- CNC 3-166 - OEM 6J5985**
 DESCRIPTION: PIN QTY 2
 LOCATION: LIFT CYLINDER TO BLADE CONNECTOR

5
- CNC 3-5099 - OEM 4T3797**
 DESCRIPTION: CONNECTOR QTY 2
 LOCATION: LIFT CYLINDER TO BLADE

6
- CNC 3-054 - OEM 3G8053**
 DESCRIPTION: PIN QTY 2
 LOCATION: PUSH ARM CONNECTOR TO BLADE

7
- CNC 3-054 - OEM 3G8053**
 DESCRIPTION: PIN QTY 2
 LOCATION: PUSH ARM CONNECTOR TO PUSH ARM

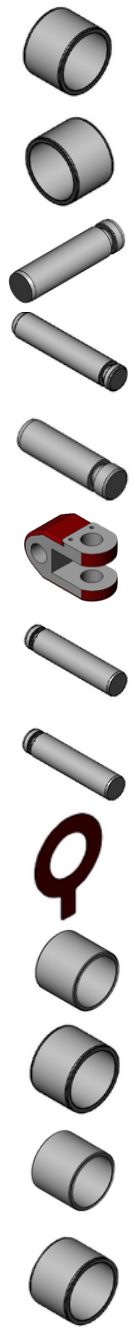
8
- CNC 3-835 - OEM 137-8479**
 DESCRIPTION: SHIM QTY 12
 LOCATION: PUSH ARM CONNECTOR

9
- CNC 3-205 - OEM 3G8051**
 DESCRIPTION: BUSHING QTY 1
 LOCATION: PUSH ARM, LH

10
- CNC 3-205 - OEM 3G8051**
 DESCRIPTION: BUSHING QTY 1
 LOCATION: PUSH ARM, RH

12
- CNC 3-204 - OEM 3G8052**
 DESCRIPTION: BUSHING QTY 1
 LOCATION: PUSH ARM, RH

13



CATERPILLAR® D10 DOZER
D10T BLADE REBUILD KIT

Caterpillar® D10 Dozer



+1 (780) 469-2346
 www.cncindustries.com
 mining@cncindustries.com
 3291 8 St, Nisku, AB T9E 8T3