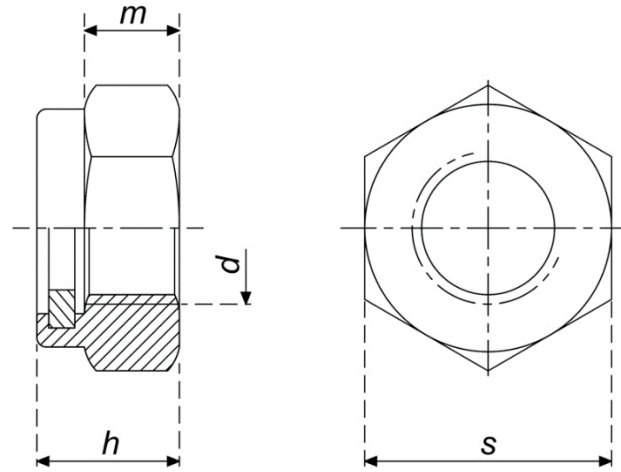


# STAINLESS STEEL 316

## DIN 985 NYLON INSERT LOCKNUT (UNC)



### Available Sizes:

SIZE (PITCH)	
3/8" (16UNC)	✓
1/2" (13UNC)	✓
5/8" (11UNC)	✓
3/4" (10UNC)	✓
1" (8UNC)	✓
1-1/8" (7UNC)	✓
1-1/4" (7UNC)	✓
1-1/2" (6UNC)	✓