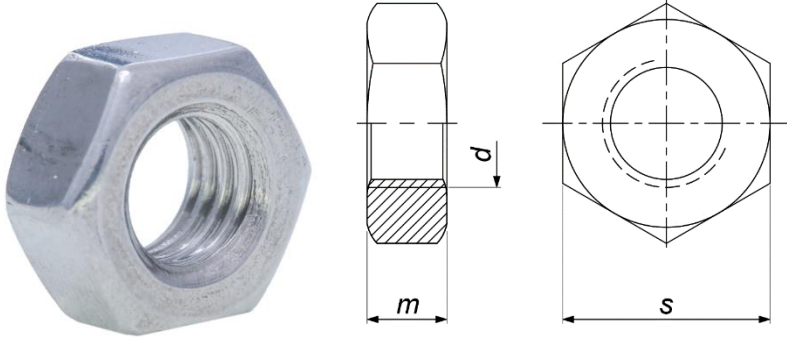


STAINLESS STEEL A4

DIN 934 HEX NUT



Nominal Dimension

D	M5	M6	M8	M10	M12	M14	M16	M18	M20	M22	M24	M27	M30	M33	M36	M39	M42	M45	M48	M52
M	4.0	5.0	6.5	8.0	10	11	13	15	16	18	19	22	24	26	29	31	34	36	38	42
S	8	10	13	17	19	22	24	27	30	32	36	41	46	50	55	60	65	70	75	80
PITCH	0.80	1.00	1.25	1.50	1.75	2.00	2.00	2.50	2.50	2.50	3.00	3.00	3.50	3.50	4.00	4.00	4.50	4.50	5.00	5.00

Unit: mm

Available Sizes:

SIZE (DIAMETER)			
M5	✓	M27	✓
M6	✓	M30	✓
M8	✓	M33	✓
M10	✓	M36	✓
M12	✓	M39	✓
M14	✓	M42	✓
M16	✓	M45	✓
M18	✓	M48	✓
M20	✓	M52	✓
M22	✓	M56	✓
M24	✓		