

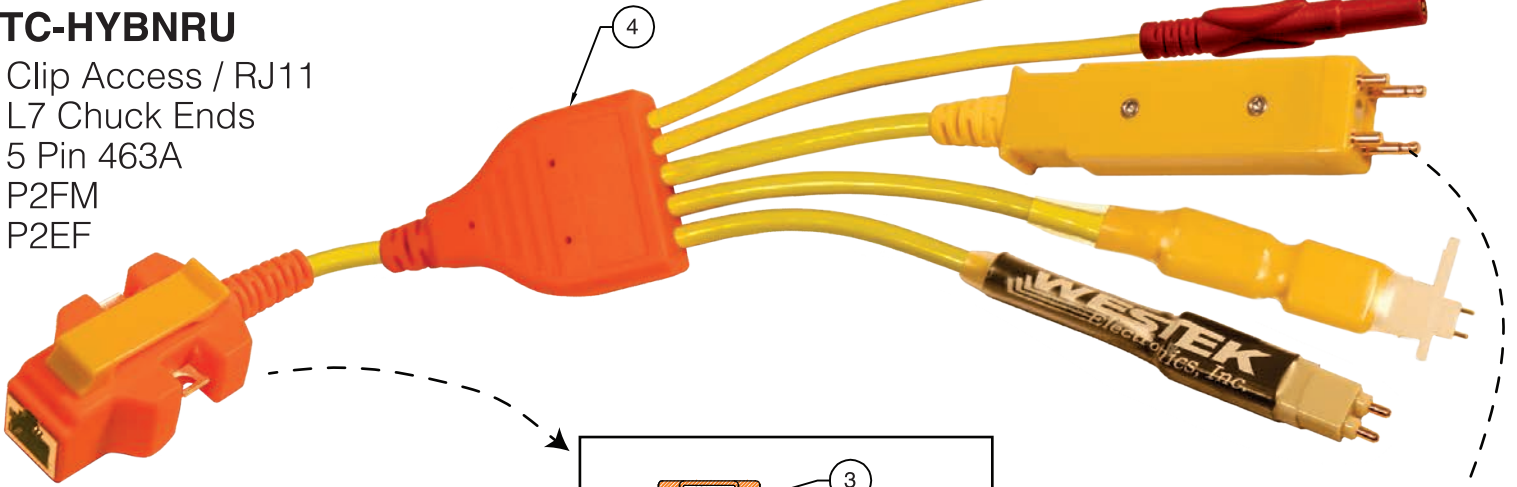
Call NOW and receive a
FREE TOOL - 800.526.2673

OSP Hybrid Combi-Cord

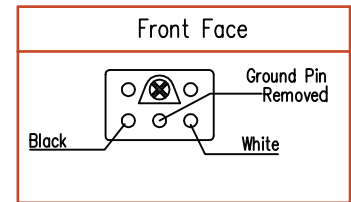
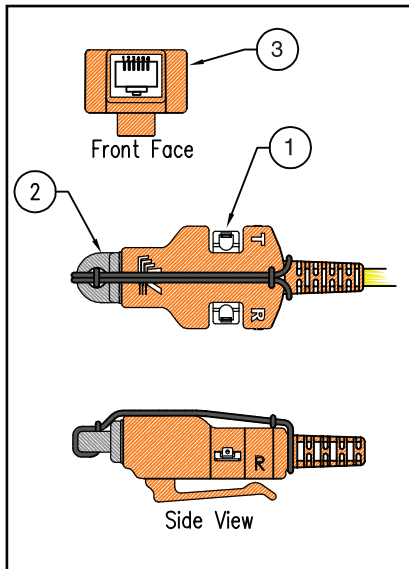


TC-HYBNRU

Clip Access / RJ11
L7 Chuck Ends
5 Pin 463A
P2FM
P2EF



- ① Pair Access Clip
- ② RJ11 Dust Seal
- ③ RJ11 Jack
- ④ Y Mold



Ground Pin Removed
463A (L4)
Wired Looking "IN" and Looking "OUT"

Patent Pending

TC-HYBNRU

Restoration and Monitoring Cord

With the new Westek patented OSP Combi-Cord, every tech will have what they need, when they need it. Many OSP techs are now testing at the CO. The response from the field was to make a cord with CO components for quick access, with the proven OSP Cord durability. With this valuable insight we designed the Hybrid cord.

Put testing excellence in your hands.

Inquire with your Westek Regional Service Manager.

800.526.2673



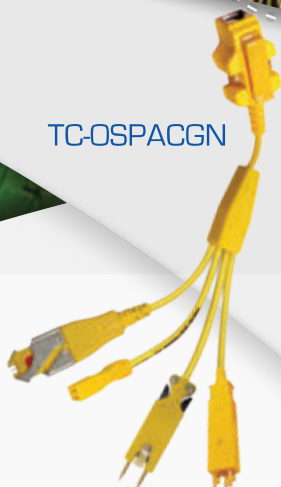


[OSP]

TC-OSPDKMN



TC-OSPACGN



TC-OSPCEFJ



TC-OSPDEGH



TC-OSPAEFH



TC-OSPEFHQ



TC-OSPCNP



TC-OSPAENQ



TC-OSPEFHJ



The OSP Combi-Cord reduces truck rolls, saves time and promotes productivity by having all of the necessary plug-in's on a one foot cord. Our cords are manufactured to the highest industry standard, proving themselves to be ultra durable. **The OSP Combi-Cord is new to the market and available in nine forms exclusively from Westek.** Westek's OSP Combi-Cord features a 2 year warranty and excellent Westek Customer Service.



Nine Combicords Available:

All Combicords include access clips, a RJ11 Port, and a belt clip to be readily available.

TC-OSPEFHJ:
Binding Post Clip
Self Strip Clip
3m Clip
Dat Term

TC-OSPDKMN:
Krone
Porta Single Pin
5 Pin 463A
Bix

TC-OSPACGN:
110 Block
66 Block
L3 526
5 Pin 463A

TC-OSPAENQ:
110 Block
Binding Post Clip
5 Pin 463A
RJ11

TC-OSPCNP:
66 Block
5 Pin 463A
RJ11

TC-OSPEFHQ:
Binding Post Clip
Dat Term
Self Strip Clip
RJ11

TC-OSPAEFH:
110 Block Probe
Binding Post Clip
Dat Term
Self Strip Clip

TC-OSPDEGH:
Krone
Binding Post Clip
L3 526
Self Strip Clip

TC-OSPCEFJ:
66 Block Probe
Binding Post Clip
Dat Term
Self Strip Clip