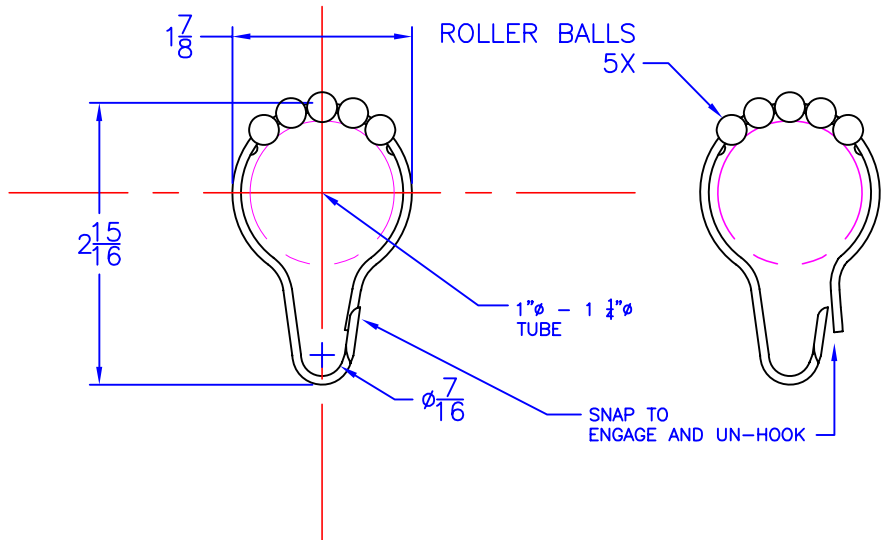
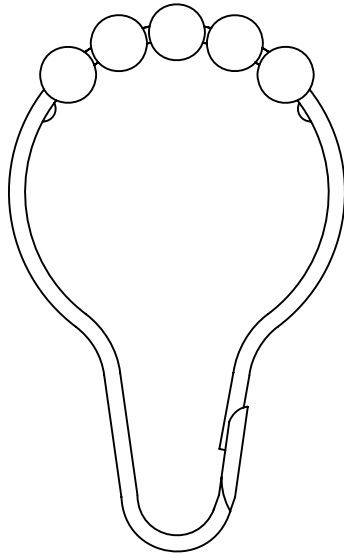




Technical Data U-0151-BS

SHOWER CURTAIN ROLLER SNAP HOOK



Construction:

FORMED ONE PIECE TYPE 303 STAINLESS STEEL X .093 WIRE DIAMETER.
 $\frac{5}{16}$ " ϕ STAINLESS STEEL BALLS (5) ASSEMBLED AND RETAINED ON WIRE.
BRIGHT STAINLESS FINISH.
SLIDES OVER SHOWER ROD DIAMETERS 1" - 1 $\frac{1}{4}$ ".

Operation:

TO BE USED ON SHOWER ROD WITH CURTAIN.

Installation:

UN-HOOK TO INSTALL ON SHOWER ROD.
INSERT THROUGH CURTAIN HOLE OR GROMMET AND RE-HOOK.

Guide Specification:

FORMED ONE PIECE TYPE 303 STAINLESS STEEL X .093 WIRE DIAMETER.
BRIGHT STAINLESS FINISH.
(5) ROLLER BALLS ASSEMBLED TO WIRE.
SLIDES OVER SHOWER ROD DIAMETERS 1" - 1 $\frac{1}{4}$ "