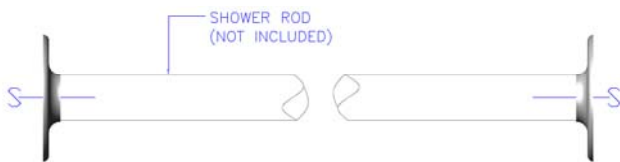
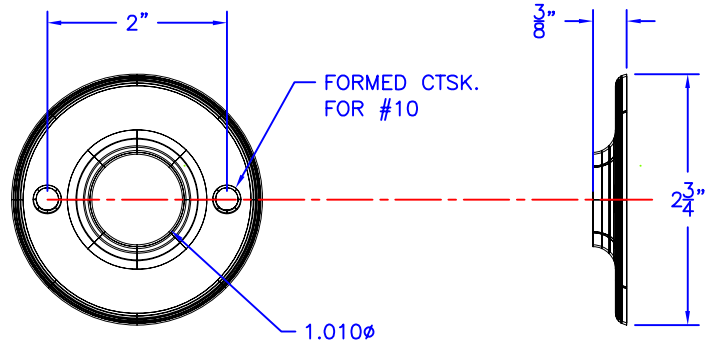
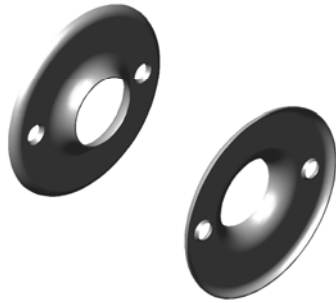




# Technical Data

## S-4660-XX

FORMED LIGHT DUTY 1" SHOWER ROD FLANGE WITH COLLAR



SHOWN AS INSTALLED WITH SHOWER ROD.

### FINISHES:

- SS SATIN STAINLESS
- BS BRIGHT STAINLESS
- PC POWDER COAT- SPECIFY COLOR

### Construction:

FLANGE: .022 THICK TYPE 304 STAINLESS STEEL FORMED ONE PC. WITH COLLAR (2) 1/4"Ø MTG. HOLES FORMED CTSK. FOR #10 OVAL HEAD SCREW.

### Operation:

HOLDS A 1"Ø STRAIGHT SHOWER ROD.

### Installation:

USE FLANGE AS TEMPLATE TO LOCATE HOLES ON BOTH WALLS.  
DRILL HOLES.  
FASTEN ONE FLANGE TO WALL.  
INSERT ONE END OF SHOWER ROD (NOT INCLUDED) INTO FASTEN FLANGE.  
SLIDE OTHER FLANGE ONTO SHOWER ROD, POSITION AND FASTEN FLANGE TO WALL.

CAUTION: FLANGES ARE ONLY AS STRONG AS THE ANCHORING DEVICES AND THE WALL ON WHICH IT IS MOUNTED TO.

### Guide Specification:

HOLDS A 1" Ø SHOWER ROD.  
TYPE 304 STAINLESS STEEL EXPOSED MOUNT SHOWER ROD FLANGE WITH COLLAR. INCLUDES ONE PAIR.