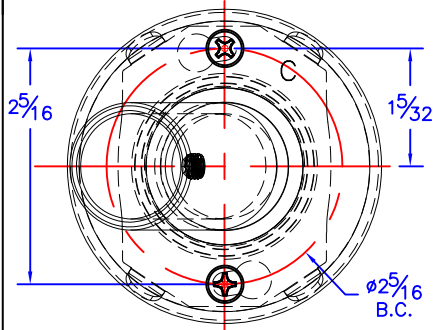


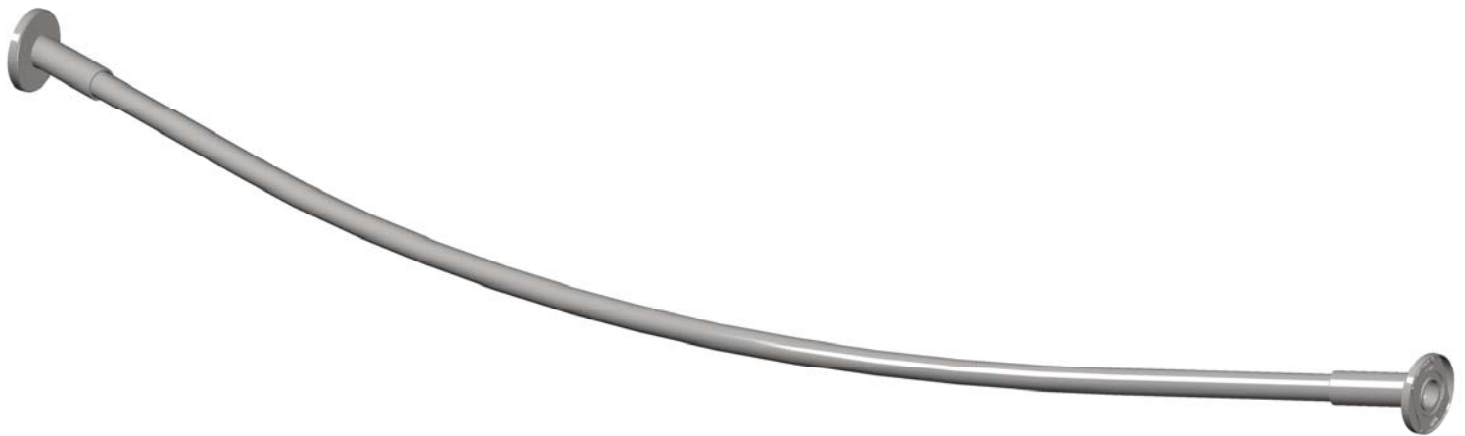
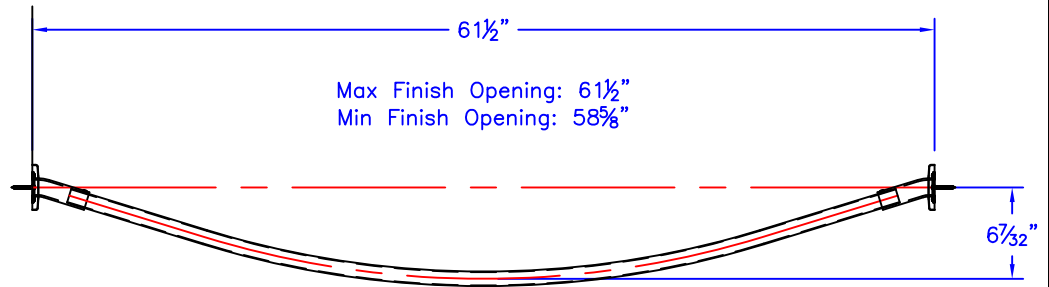


Technical Data S-1034-XX

Ø1" x 60" HEAVY-DUTY CURVED SHOWER ROD



(2) MOUNTING HOLES ARE PROVIDED IN EACH FLANGE.



Part Number: S-1034-XX **FINISH OPENING:** 61½" MAX. TO 58⅝" MIN. BEFORE TRIM IS REQUIRED.

Finishes: SPECIFIED AS LAST (2) DIGITS OF THE PART NUMBER.

S-1034-SS = SATIN STAINLESS

S-1034-BS = BRIGHT STAINLESS

S-1034-PC = POWDER COAT (SPECIFY COLOR)

Construction: TUBE: Ø1" x 0.049 WALL (18 GAUGE), STAINLESS STEEL.

MOUNTING FLANGE: 14 GAUGE, STAINLESS STEEL.

COVER: 22 GAUGE, STAINLESS STEEL, SNAPS OVER FLANGE TO CONCEAL THE MOUNTING SCREWS. (FASTENERS ARE NOT INCLUDED)

Operation: HOLDS SHOWER CURTAIN.

Installation: MEASURE THE OPENING WHERE BAR WILL BE INSTALLED, IF LESS THAN 58⅝" TRIM AN EQUAL AMOUNT FROM BOTH ENDS FOR THE DIFFERENCE. THE FLANGES CAN BE MOUNTED WITH EITHER #8 OR #10 SCREWS. THE KEYHOLE SLOTS FACILITATE EASE OF MOUNTING TO THE WALL. TO INSTALL, POSITION UPPER FASTENER AT DESIRED LOCATION ON BOTH WALLS AND TURN IN WITHIN ¼". SLIDE FASTENER ASSEMBLIES ON BOTH ENDS OF ROD AND INSTALL ON THE UPPER SCREWS. INSTALL LOWER SCREWS, STRAIGHTEN FLANGES AND TIGHTEN ALL SCREWS.