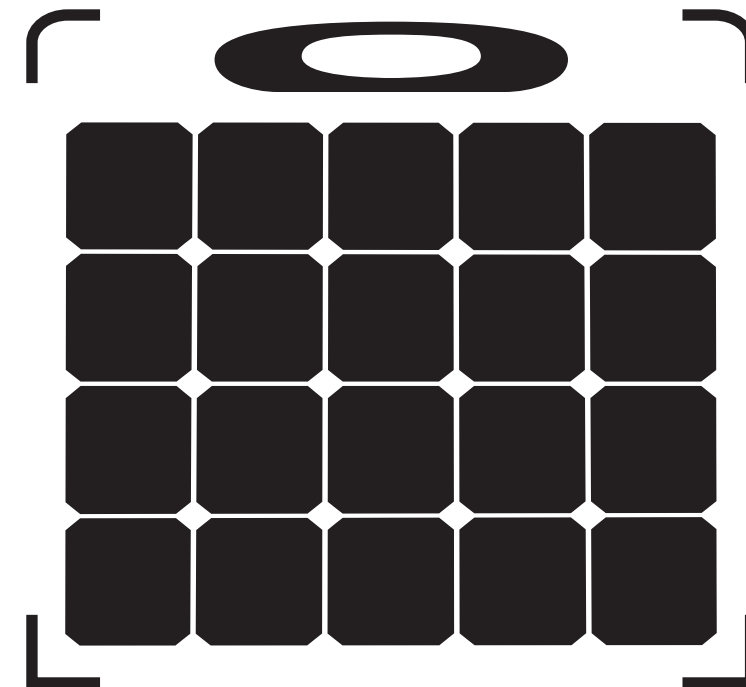


Solar Charging Panel Instruction manual



TB280W-SP(23V)

Package Contents



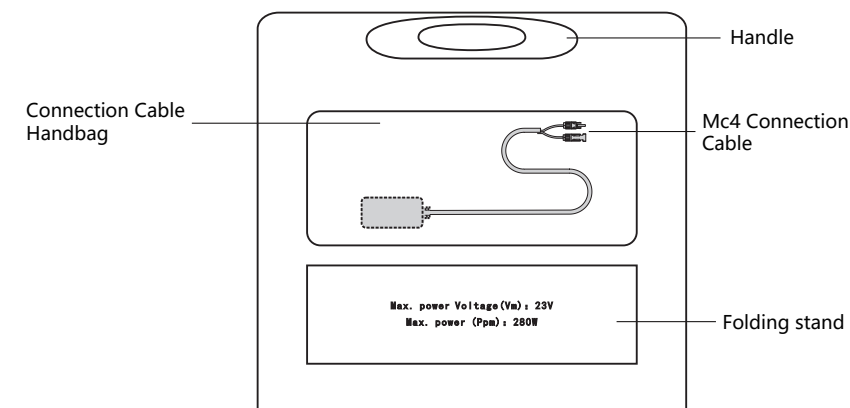
1. Solar charging panel × 1



2. Instruction manual × 1

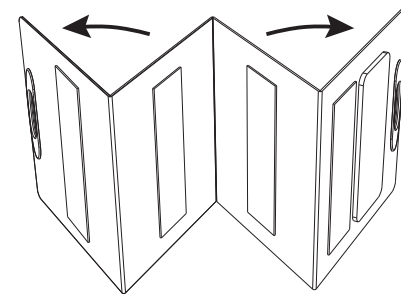
Products Introduction

TB280W-SP(23V)

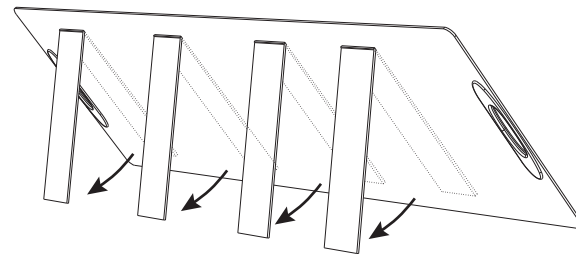


Usage

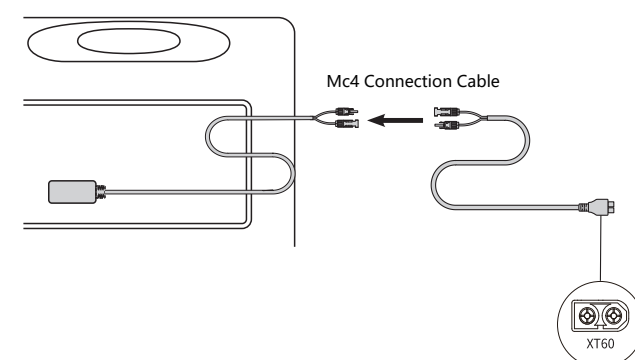
1. Unfold the solar charging panel



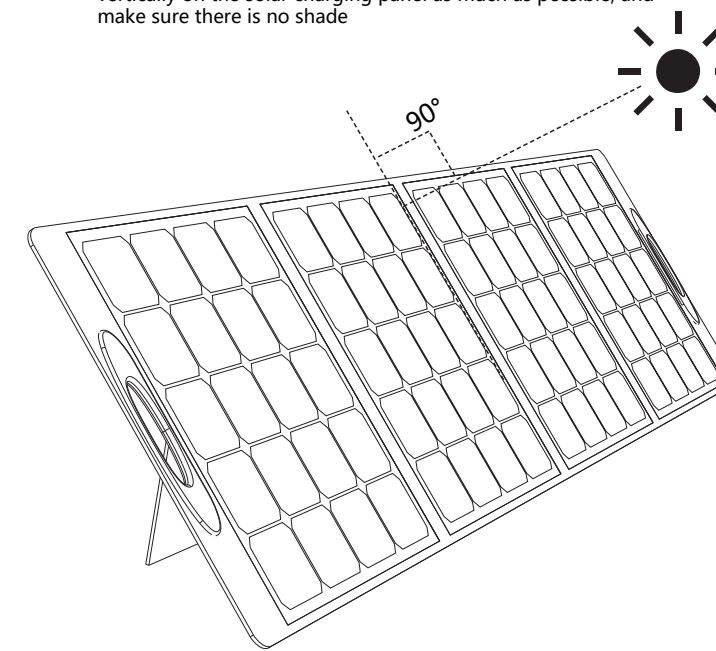
2. Pull out the folding stand



3. Pull out the XT60 cable to connect to the device to be charged



4. To obtain solar energy more efficiently, please let the sunlight shine vertically on the solar charging panel as much as possible, and make sure there is no shade



- Q: What factors affect the solar energy conversion rate?

1. The intensity of the sunlight
2. Ambient temperature
3. the angle at which the solar panel is placed
4. the length of the solar cable

- Q: Can solar charging panels be waterproof?

Solar panels are dustproof, waterproof, durable, and suitable for outdoor scenes. If you need to clean the solar panels, durable running water drenching, avoid using high-pressure water force (such as sprinklers). Pressure may make the solar panels damaged (to extend the life of solar panels, please do not immerse them in water)

- Q: How many solar panels can be used for one outdoor power supply?

1. Check the maximum open-circuit voltage
2. Maximum short-circuit current
3. the maximum power of solar panels when using multiple solar panels in series or parallel
4. Maximum power of solar panels When using multiple solar panels in series or parallel, make sure that the maximum cumulative voltage and current of the solar panels do not exceed the maximum voltage and current of the outdoor power supply

- Q: Can solar panel be used in extreme weather?

The solar panel is used in stable weather conditions as much as possible. -4°F to 185°F (-20°C to 85°C) during regular use and storage temperatures. Avoid use in adverse conditions such as thunderstorms, high winds, hail, etc.

- Q: Can energy be stored inside the solar panel?

The solar panel converts solar energy into electrical energy and transmits the electrical energy in the form of direct current to products such as outdoor power supplies. The solar panel does not store electrical energy on its own.

Warning

- Do not bend the solar panel (angle > 30)
- Do not immerse the solar panel in water or any other liquid
- Do not use solar panels near fire or heaters
- Do not hang the solar panel with sharp objects
- Do not remove the solar panel by yourself
- Do not place corrosive substances on the solar panel

Tech Specs

Power Rating	280W ± 5%
Open Circuit Voltage	27.4V ± 5%
Short Circuit Current	12.6A
Working Voltage	23.5V ± 5%
Operating Current	11.8A
Conversion Efficiency	≥ 22.5%
Battery Type	Monocrystalline silicon
Interface Type	Xt60
Use and Storage Temperature	-4°F to 185°F (-20°C to 85°C)
Weight	9 ± 0.3 KG
Expanded Size	663*2349*25 mm
Folded Size	663*616*47 mm