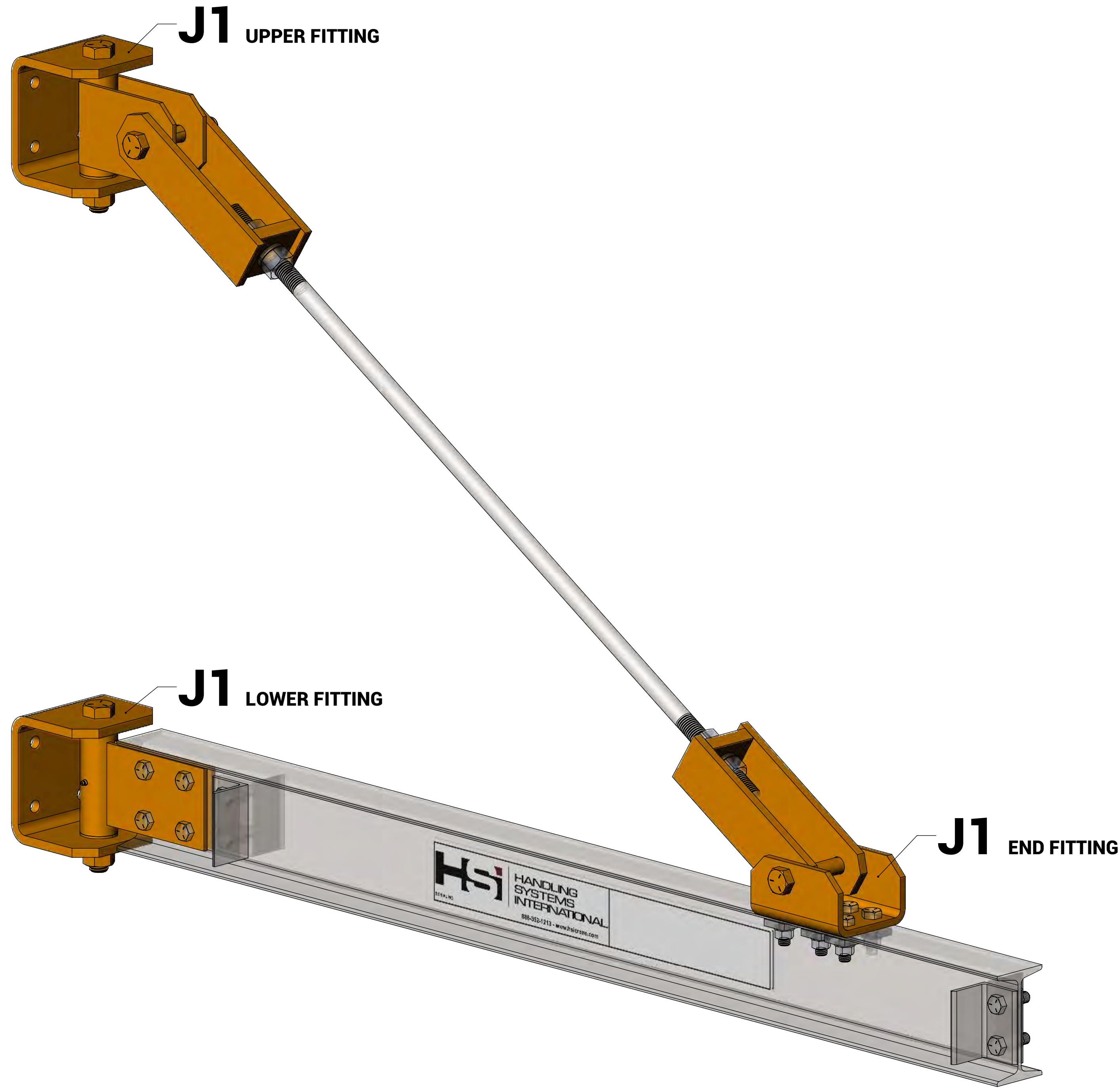


NOTE

- TIE-ROD CRANE DEPICTED FOR SUGGESTED USE.
- TIE-ROD CRANE NOT INCLUDED IN FITTING KIT.
- MOUNTING HARDWARE & HARDWARE TO CONNECT FITTINGS TO CRANE NOT INCLUDED IN FITTING KIT.
- TIE-ROD & TIE ROD HARDWARE NOT INLCUDED IN FITTING KIT.

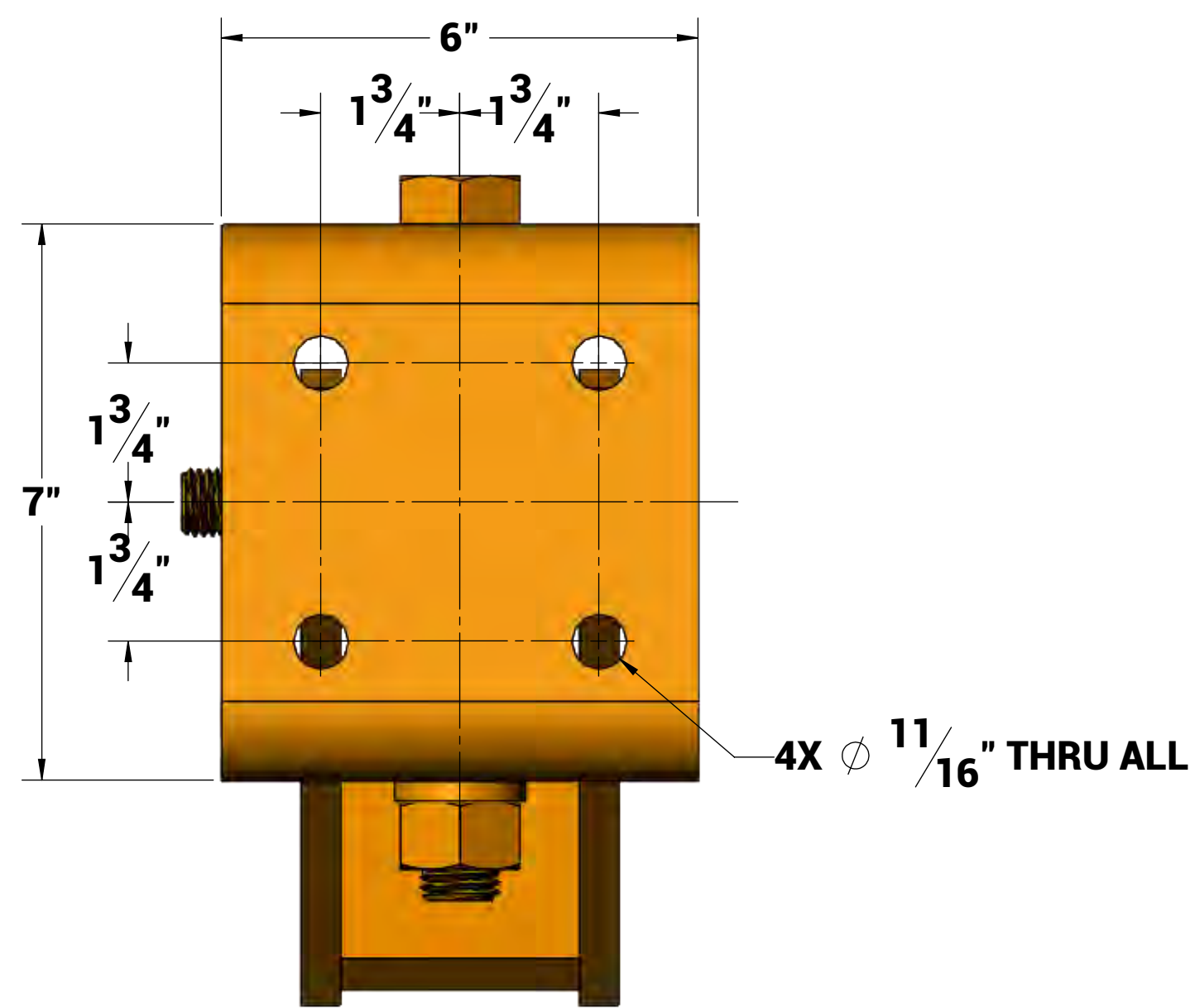


THE INFORMATION CONTAINED IN THIS DRAWING IS THE SOLE PROPERTY OF THE CRANE MANUFACTURER. ANY REPRODUCTION, IN PART OR WHOLE, WITHOUT THE WRITTEN PERMISSION OF THE CRANE MANUFACTURER IS STRICTLY PROHIBITED!

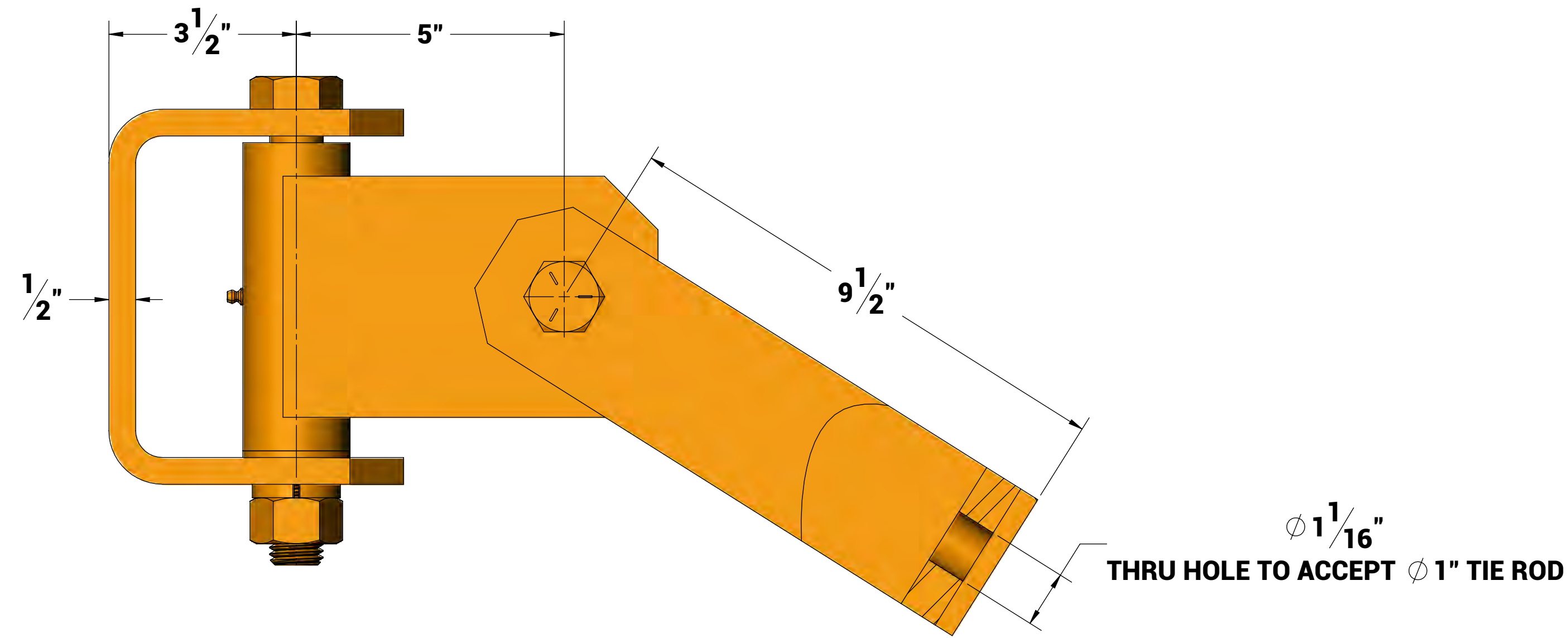
CREATED BY M.TOWNSEND	DATE 8/27/2018
CHECKED BY	DATE
REV A	SHEET 1 OF 2
	SIZE D

DO NOT SCALE DRAWING

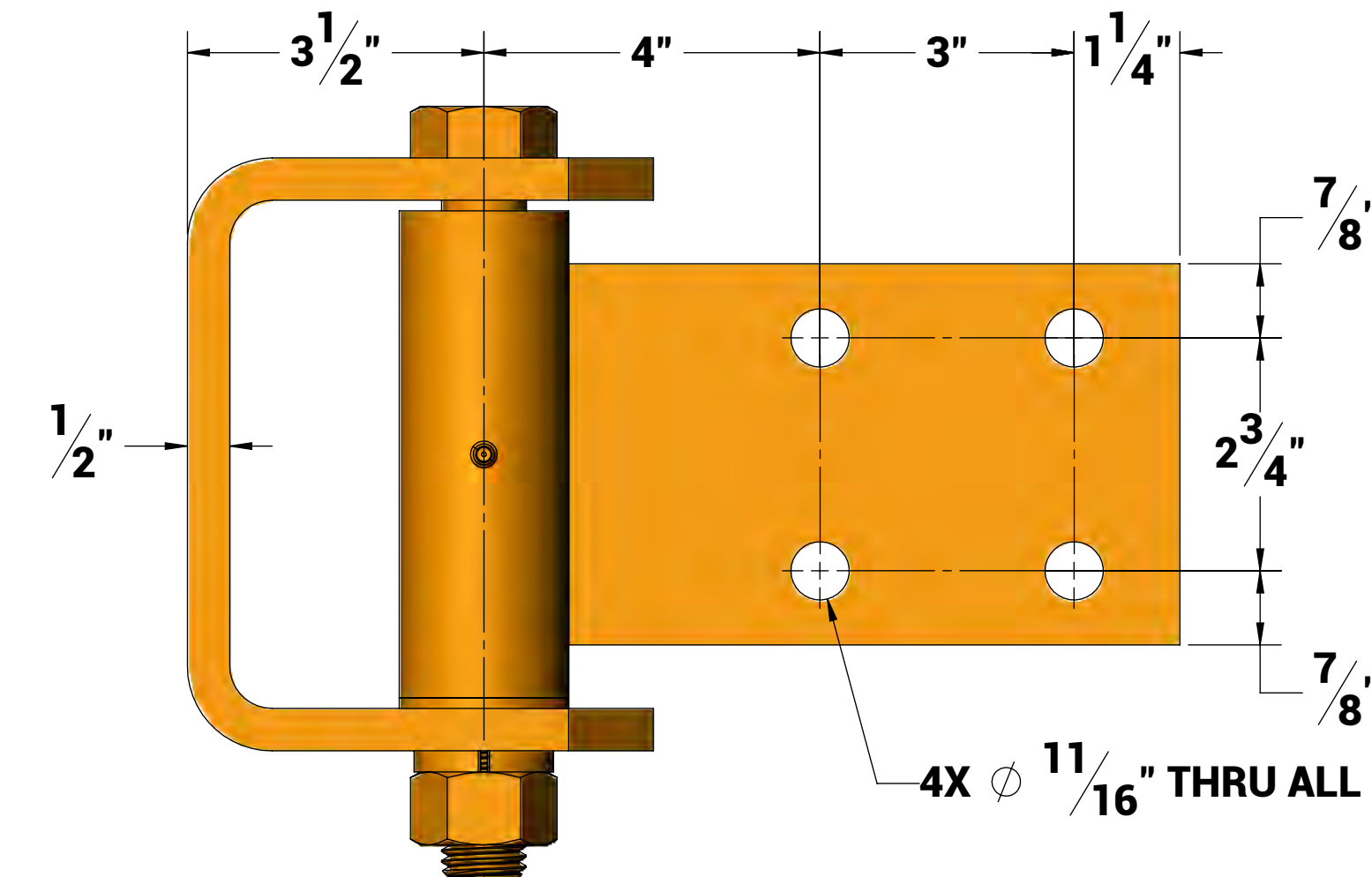
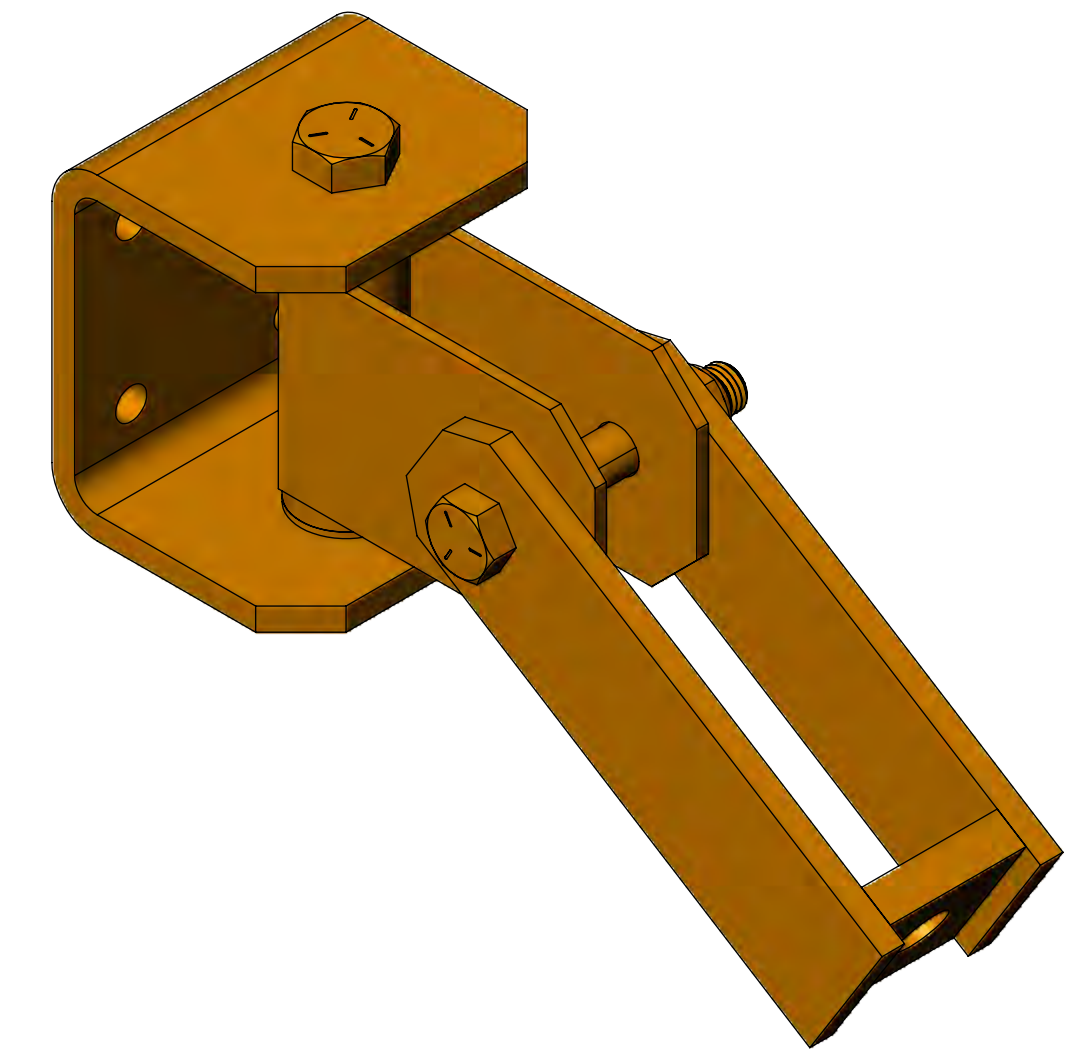
HSI HANDLING SYSTEMS INTERNATIONAL	
DESCRIPTION 752-1 J1 TIE-ROD FITTING KIT	
JOB NO.	PART NO. A506.0005.00
FINISH	ORDER QTY. 0
COMMENTS:	EST. WEIGHT LBS. (PER) 167.69



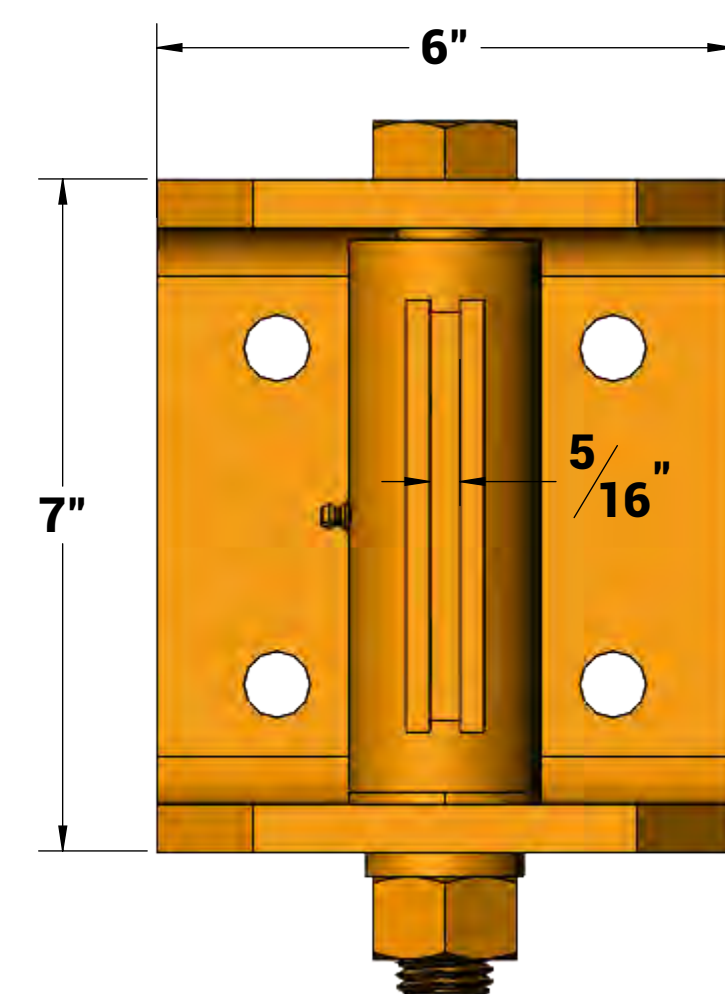
**J1 UPPER/LOWER FITTING
COLUMN MOUNTING PATTERN**



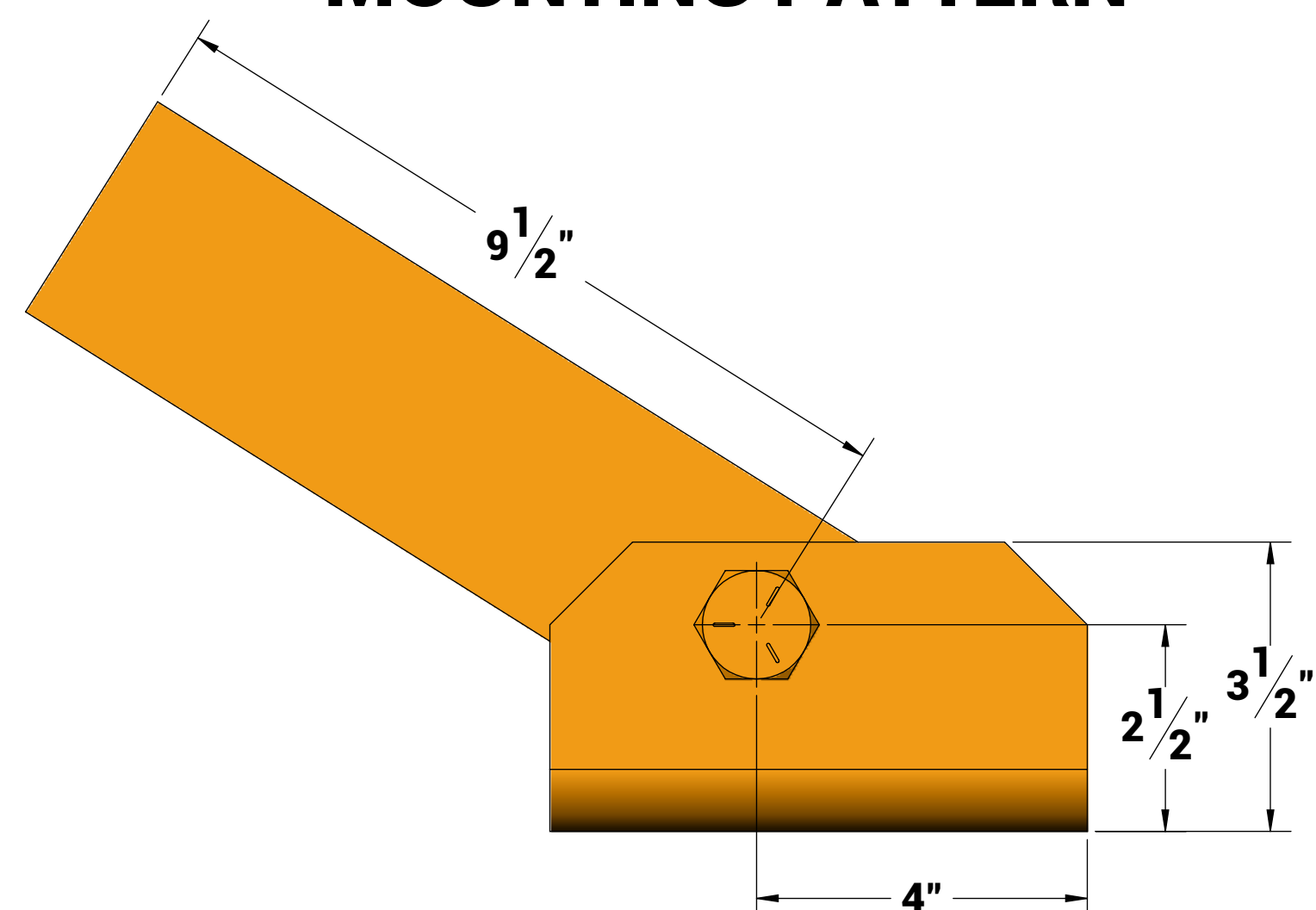
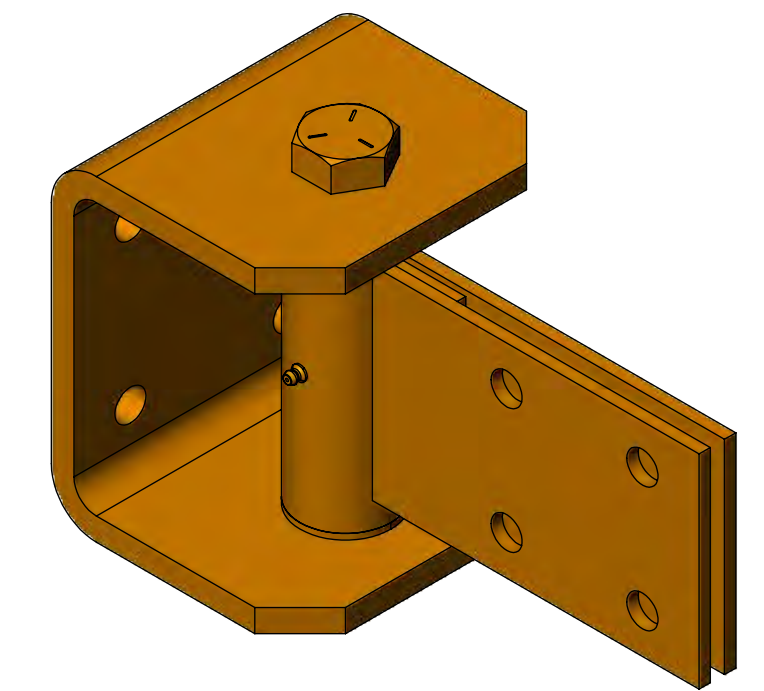
J1 UPPER FITTING



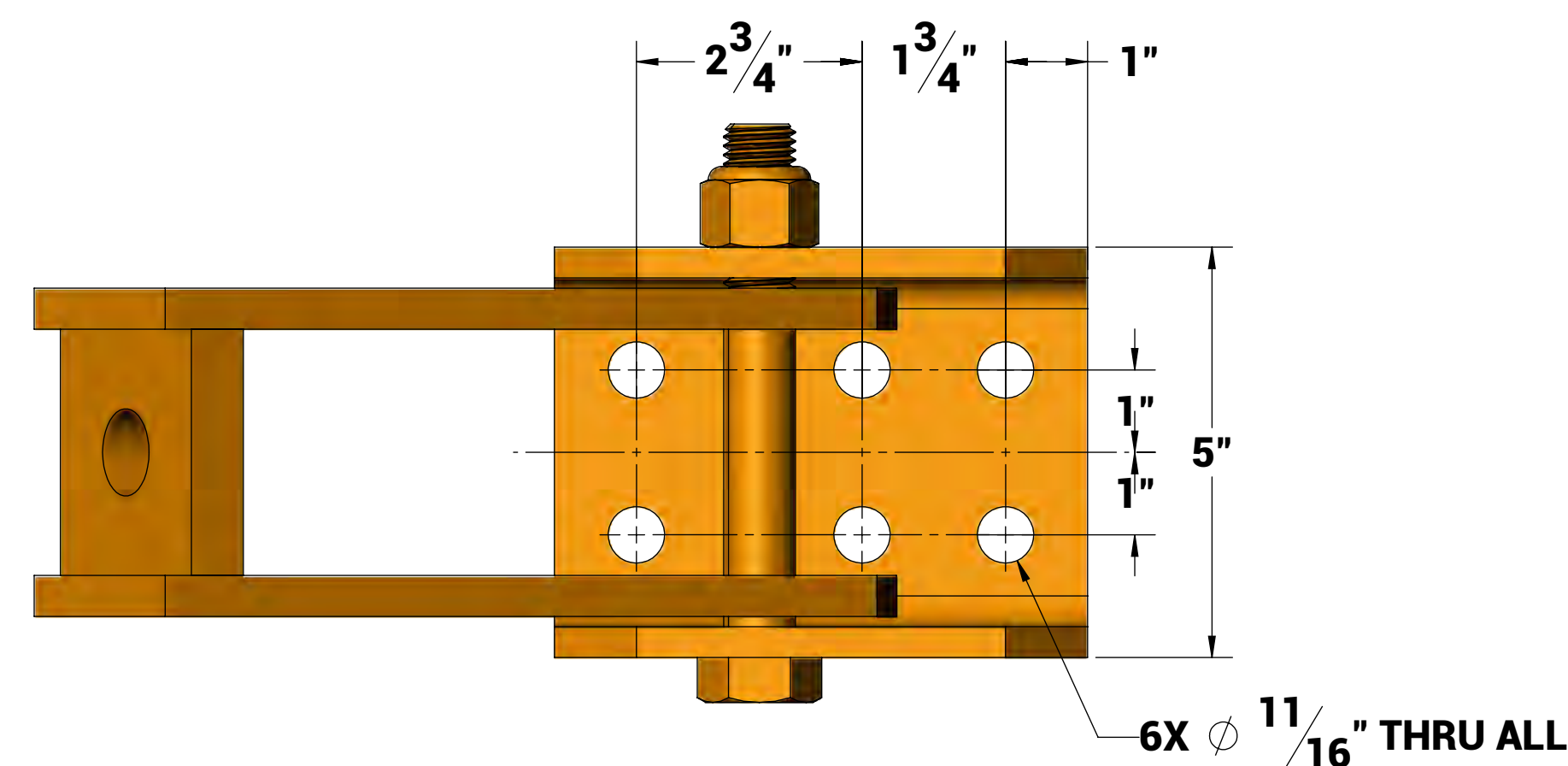
**J1 LOWER FITTING
MOUNTING PATTERN**



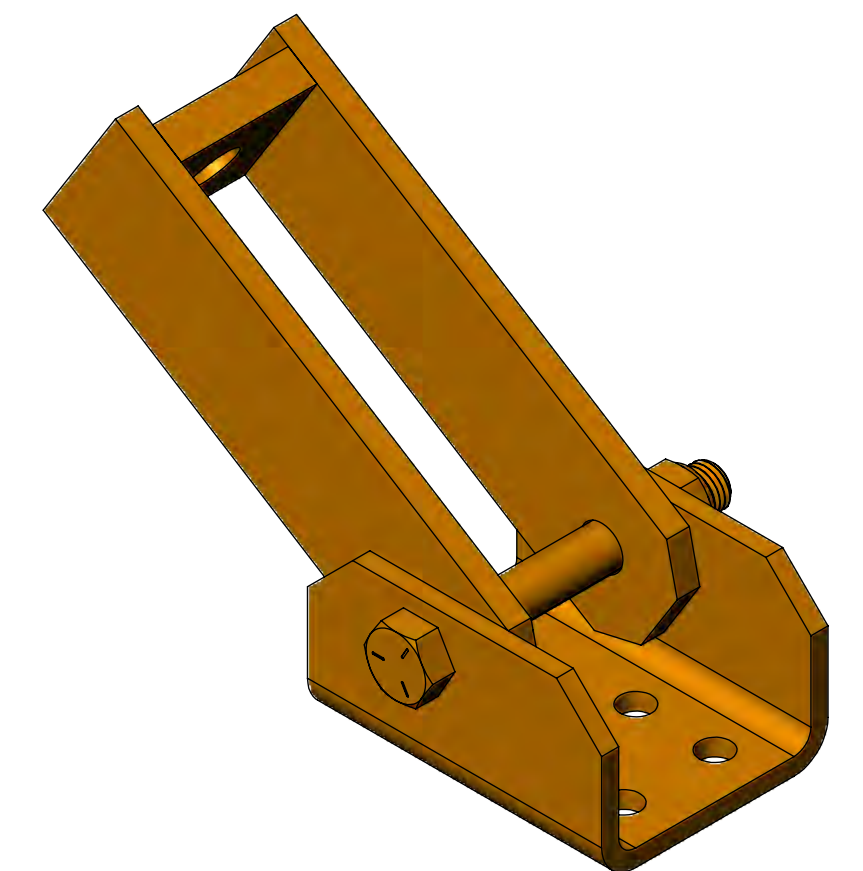
J1 LOWER FITTING



J1 END FITTING



**J1 END FITTING
MOUNTING PATTERN**



THE INFORMATION CONTAINED IN THIS DRAWING IS THE SOLE PROPERTY OF THE CRANE MANUFACTURER. ANY REPRODUCTION, IN PART OR WHOLE, WITHOUT THE WRITTEN PERMISSION OF THE CRANE MANUFACTURER IS STRICTLY PROHIBITED!

CREATED BY M.TOWNSEND	DATE 8/27/2018	
CHECKED BY	DATE	
REV A	SHEET 2 OF 2	SIZE D

DO NOT SCALE DRAWING

HSI HANDLING SYSTEMS INTERNATIONAL	
DESCRIPTION 752-1 J1 TIE-ROD FITTING KIT	
JOB NO.	PART NO. A506.0005.00
FINISH	ORDER QTY. 0
COMMENTS:	EST. WEIGHT LBS. 167.69