

NEW Noblelift Products
ARRIVAL

2000kg
4500lbs
Capacity

- ✓ Brushless DC drive motor
- ✓ 48V Curtis control System
- ✓ Great Gradeability Performance
- ✓ Low Consumption of Energy



NOBLELIFT

Material Handling

EDGE

Powered Pallet Truck



INTRODUCTION

The new model of electric pallet truck developed by Noblift is the innovative product with cutting-edge design based on decades of our experience, it combines the advantages of manual and electric pallet trucks being the perfect electrical product for light and medium duty material transportation in most effortless and economic way.

With its new and fresh outer appearance containing sharp lines, we named it

"EDGE".

Now we have both
1500kg/3300lbs
and 2000kg/4500lbs as the
Edge Series.

Smart design

Robustness

Safety

Ergonomics

High performance

Maintenance friendly



Ergonomic & Smart Tiller Design

The tiller of the truck with ergonomic design has comfortable soft grips for comfort daily operation. All buttons are big and can be easily reached by operators even when working in gloves.

Integrated PIN code panel with LCD display for smart control and operation.



The function of driving with tiller in the **vertical position** helps with work in confined areas, especially in elevators and lorries without sacrificing of safety.



Robust & Smart Design of Chassis

Strong and compact structure of chassis helps to ensure long life-time of the truck, without sacrificing the truck's weight or putting under question the strength of frame.

The frame of truck is surrounded by stamped steel elements making the truck looking different and also ensuring the **protection** of components



Strong steel apron **protects** the operator's feet during work and secures the truck's components from collisions with objects.



Forks of the truck with shape for easy entrance and exit from pallets.

Full length double sided C-shape **reinforcements** of forks significantly increase strength and **rigidity** of frame.



Standard with suspension stability casters for great stability for applications of all kinds.

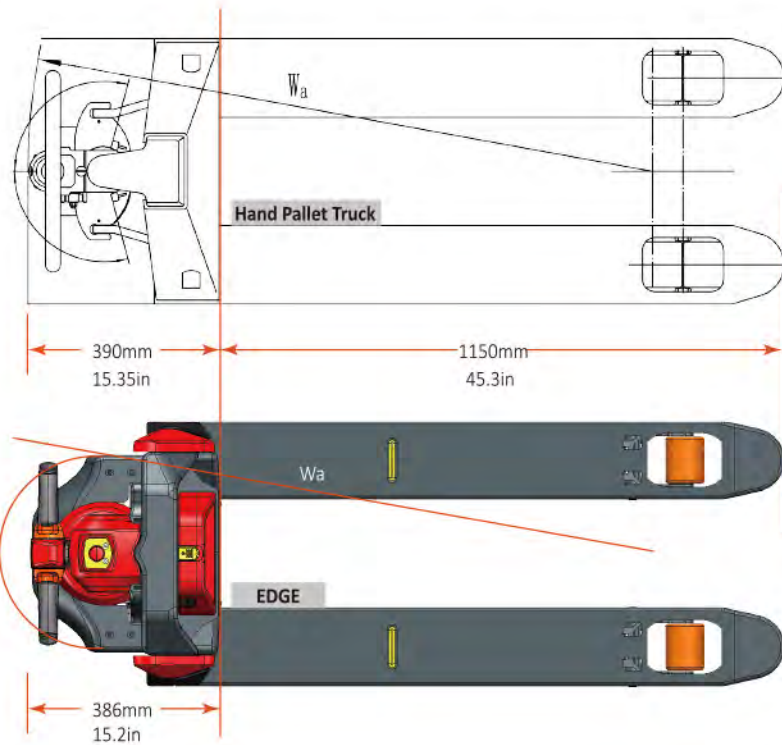


Great gradeability performance with **7%** gradeability when it is fully loaded with **4500lbs(2000kg)**, **16%** when it not loaded. Standard with German INTORQ brake for safety.



540mm Fork: 149kg
21in Fork: 328lbs

685mm Fork: 153kg
27in Fork: 337lbs



The short body length of truck (L2=386mm/15.2in) is even smaller that the one of regular HPTs. It provides the shortest **turning radius** of **1280mm(50.4in)/1336mm(52.6in)** with lifted/lowered forks and makes the truck extremely compact and ideal for use in confined spaces of retail stores, elevators or business centers.



Smart Lithium Battery

Standard with Maintenance-free 48V/20Ah Lithium battery and 48V/9A intelligent charger for long operation time, fast charging and opportunity charging.

The integrated **BMS** (Battery Management System) controls all important parameters and performance of lithium battery.



Smart battery positioning and lock for great fixation and safety.



Light weight high quality Lithium battery for **easy replacement**.



Socket on battery case for easy battery charging without necessity to take the battery out
Fast and opportunity charging during breaks in operations increases working time.

Various Options



Maintenance Friendly

48V Brushless DC drive motor with intelligent Curtis control



Convenient and fast access to any component of the truck, no elements are located in areas difficult to reach. No Special tools are required.

There are no hoses or pipes used in the hydraulic lifting circuit which significantly improves **reliability** and reduces the amount of potential problems related to leakages through connectors or their seals.



Please write single or tandem rollers



Different heights
1070mm/42in
1220mm/48in
1525mm/60in



The truck is equipped with **Curtis** controller and **CAN-bus** technology makes the diagnostic and troubleshooting easier.

Amount of working hours shown at the tiller helps to follow the maintenance schedule.



Optional different fork sizes

Optional Backrest



Official website



Our Wechat

Noblelift Headquarters

Add:#528 Changzhou Road,Taihu
Sub-district,Changxing,313100,China
TEL:+86 572 6210311/6120989
FAX:+86 572 6210777
WEB:www.noblelift.com
Email: info@noblelift.com

Noblelift North America Corp.

Add:2461 S Wolf Road, Des Plaines, IL 60018
Tel:847-595-7100
Fax:847-595-7200
Email:sales@nobleliftna.com
Http: www.nobleliftna.com

Noblelift Europe GmbH

Add:Borsigstrasse 9-93092 Barbing Germany
TEL:+49 9401 607930
FAX:+49 9401 6079329
WEB:www.noblelifteurope.com
Email: mail@noblelifteurope.com

Noblelift Russia

ООО "Ноблелифт Рус"
194292, Санкт-Петербург
Домостроительная ул. 4А офис 301
Бизнес-центр "Парнас"
тел.: +7 (800) 700-28-97
Email: sales@noblelift.com.ru

