

NOTES:

- 1 - BRACKET SHOWN IN STANDARD CONFIGURATION. SEE P. 2 / 2 FOR HORIZONTAL MOUNTING.
- 2 - APPROX. WEIGHT: 9.9 LBS
- 3 - FINISH: TEXTURED POWDER COAT
- 4 - CAPACITY: 35 LBS.

REV.	DESCRIPTION	DATE	APPR.
REVISIONS			



**PROPRIETARY AND CONFIDENTIAL**  
 THE INFORMATION CONTAINED IN THIS DRAWING IS THE SOLE PROPERTY OF A.I.G. ELECTRON METAL INC. ANY REPRODUCTION IN PART OR AS A WHOLE WITHOUT THE WRITTEN PERMISSION OF A.I.G. ELECTRON METAL INC IS PROHIBITED.

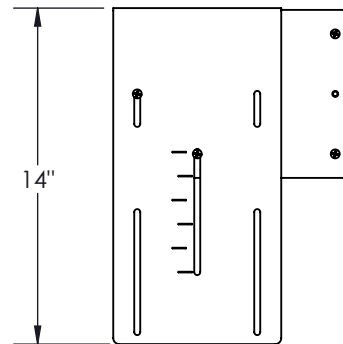
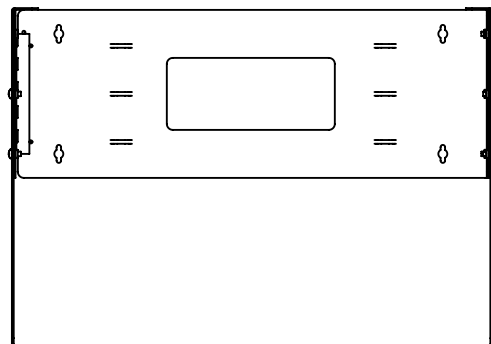
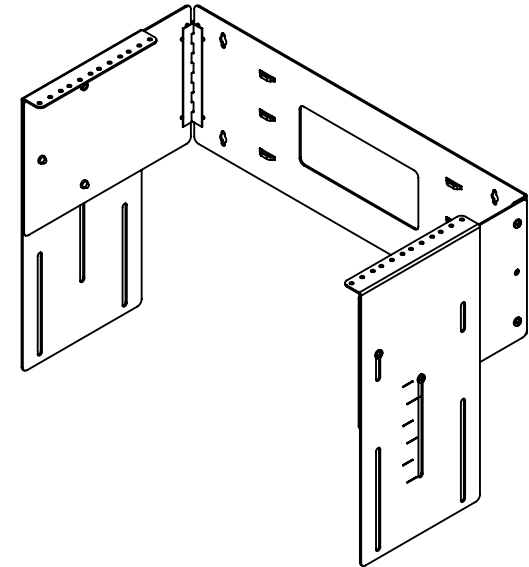
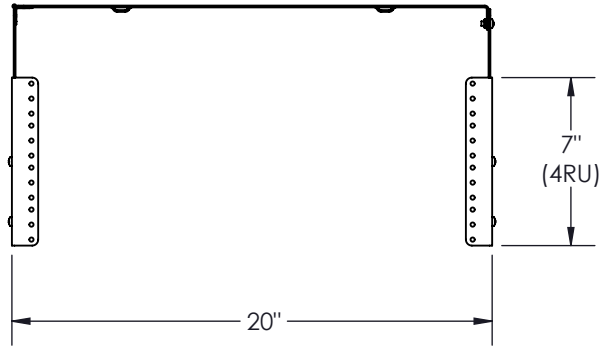
APPROVED BY:  
 E.D.

DRAWN BY:  
 R.H.  
 CHECKED BY:  
 R.H.

Title:  
**ADJUSTABLE WALL MOUNT BRACKET 4RU (19 x 7) x 20**

PROJECT:  
 G:\SWDwgs\WallMount\Brackets\Adjustable20d\  
 PART NO:  
 WMBADJ-190420

FILE:  
 WMBktAdj19x7\_2752-001\_Eng  
 DRAWING NO.: 2752-001  
 REV.:  
 SCALE: 1:8  
 DATE: 2019-07-15  
 SHEET: 1 / 2



NOTES:

1 - BRACKET SHOWN IN OPTION HORIZONTAL CONFIGURATION. SEE P. 1 / 2 FOR STANDARD CONFIGURATION AND OTHER DETAILS.

**Electron** PROUDLY MANUFACTURED  
METAL IN CANADA.

**PROPRIETARY AND CONFIDENTIAL**  
THE INFORMATION CONTAINED IN THIS DRAWING IS THE SOLE PROPERTY OF A.I.G. ELECTRON METAL INC. ANY REPRODUCTION IN PART OR AS A WHOLE WITHOUT THE WRITTEN PERMISSION OF A.I.G. ELECTRON METAL INC IS PROHIBITED.

APPROVED BY:  
E.D.

DRAWN BY:  
R.H.

CHECKED BY:  
R.H.

PROJECT:  
G:\SWDwgs\WallMount\Brackets\Adjustable20d\

PART NO.:  
WMBADJ-190420

Title:

ADJUSTABLE WALL MOUNT BRACKET 4RU (19 x 7) x 20

FILE:  
WMBktAdj19x7\_2752-001\_Eng

DRAWING NO.:  
2752-001

REV.:

SCALE:  
1:8

DATE:  
2019-07-15

SHEET:  
2 / 2