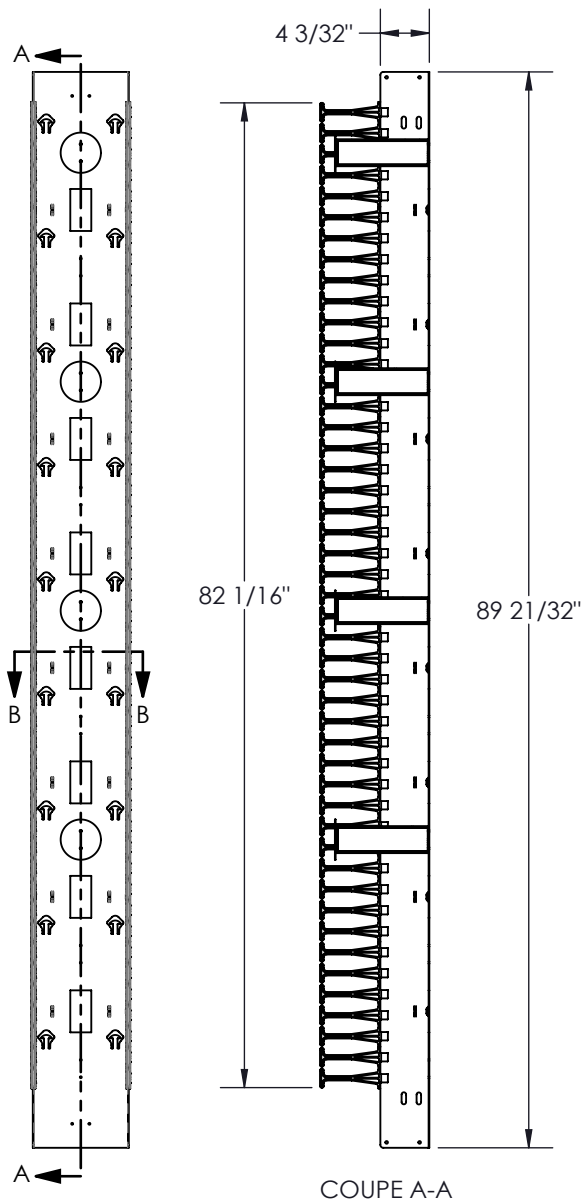
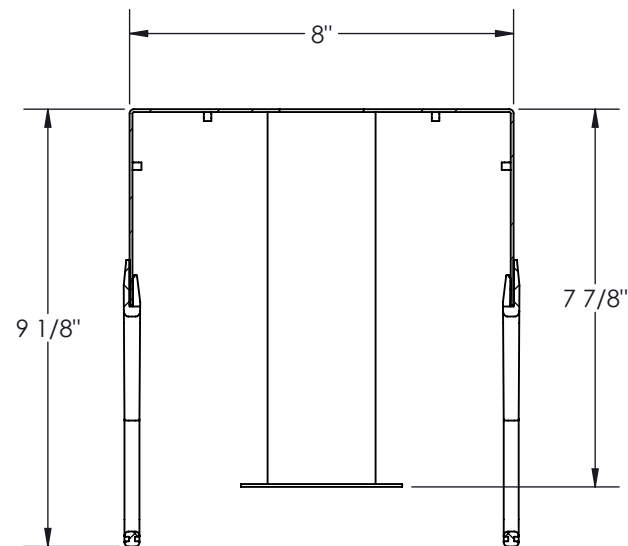
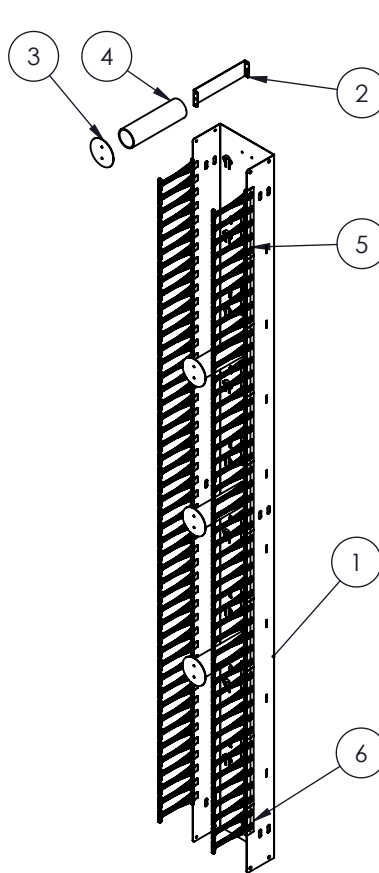


NO.	S	DESSIN/FOURNISSEUR	CFG/NO. FOURNISSEUR	DESCRIPTION	QTÉ
1	-	2183-002	8 x 9	CONDUIT 48RU (84)	1
2	-	1305020805	7.75"	FIXATION BOBINE	4
3	-	1305020804	3.5"	BOUT BOBINE	4
4	-	1305020806	7.75"	BOBINE	4
5	-	1305038739	5RU	GESTION CÂBLES DOIGTS EN PLASTIQUE	18
6	-	1305038739	2RU	GESTION CÂBLES DOIGTS EN PLASTIQUE	2



COUPE A-A



COUPE B-B  
ÉCHELLE 1 : 4

- NOTES:  
 1 - POID APPROX.: 29.5 LB  
 2 - FINITION: PEINTURE EN POWDRE TEXTURÉ  
 3 - DOIGTS FAITES DE POLYCARBONATE INGNIFUGE  
 4 - INCLUANT (12) JEUX DE BOULONS HEX 1/4-20 x 3/4

**Electron METAL** PROUDLY MANUFACTURED IN CANADA.

PROPRIETARY AND CONFIDENTIAL  
 THE INFORMATION CONTAINED IN THIS DRAWING IS THE SOLE PROPERTY OF ELECTRON METAL A.I.G. INC. ANY REPRODUCTION IN PART OR AS A WHOLE WITHOUT THE WRITTEN PERMISSION OF A.I.G. ELECTRON METAL INC IS PROHIBITED.

DRAWN BY:  
T.M.

CHECKED BY:  
T.M.

Title:  
HD CABLE MGT 48RU 8 x (84) x 9 WITHOUT DOOR

PROJECT:  
G:\SWDwgs\CableMgt\CableMgt\_Racks\HighDensityPlastic\Simple\Ensembles\

FILE:  
GestHD8x84x9SansPorte\_2191-001

APPROVED BY:  
E.D.

PART NO.:  
CMRHSN-084809

DRAWING NO.:  
2191-001

REV.:  
A

SCALE:  
1:16

DATE:  
2018-02-07

SHEET:  
1 / 1