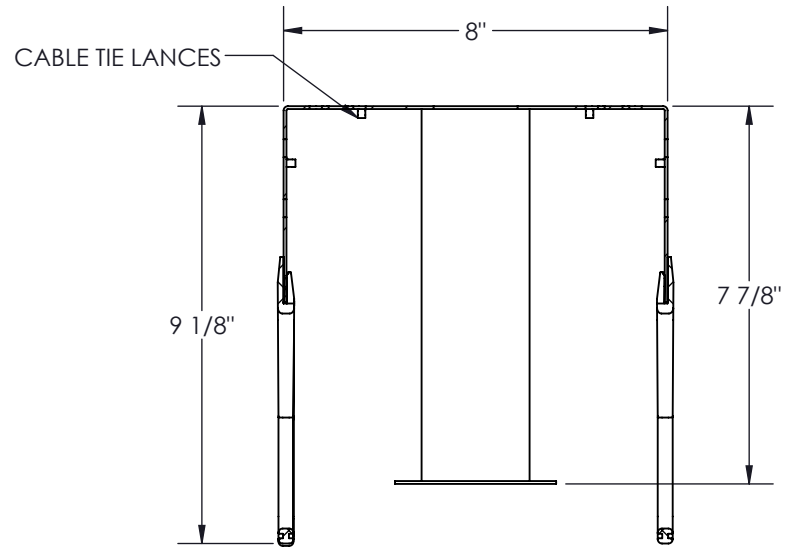
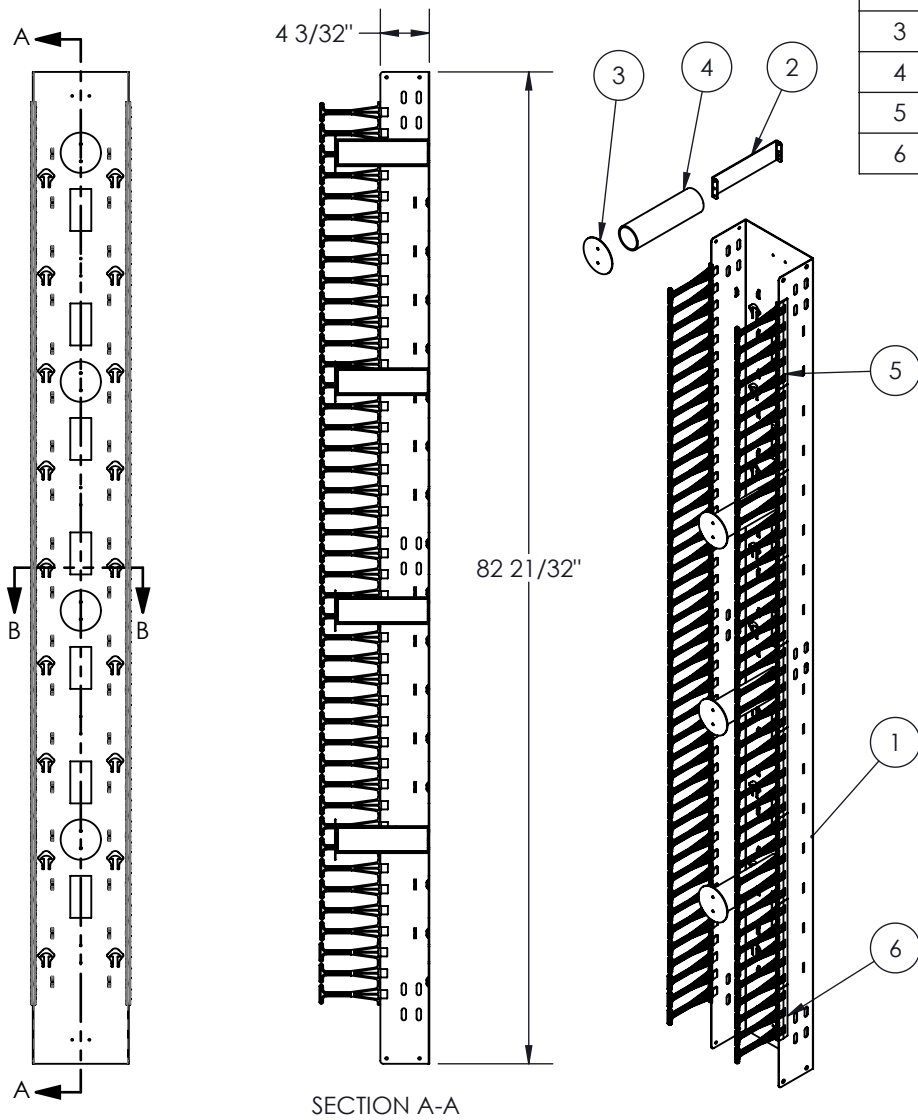


NO.	DWG/SUPPLIER	CFG/SUPPLIER NO.	DESCRIPTION	QTY
1	1830-003	8 x 9	BODY 44RU (77)	1
2	1305020805	7.75"	SPOOL BRACKET	4
3	1305020804	3.5"	SPOOL END PLATE	4
4	1305020806	7.75"	SPOOL	4
5	1305038739	5RU	PLASTIC CABLE MGT FINGERS	16
6	1305038739	3RU	PLASTIC CABLE MGT FINGERS	2



SECTION B-B
SCALE 1 : 4

- NOTES:
 1 - APPROX. WEIGHT: 27.4 LB
 2 - FINISH: TEXTURED POWDER COAT
 3 - FINGERS MADE OF FIRE RETARDANT POLYCARBONATE
 4 - SHIP WITH (12) SETS OF HEX BOLTS 1/4-20 x 3/4



PROPRIETARY AND CONFIDENTIAL
 THE INFORMATION CONTAINED IN THIS DRAWING IS THE SOLE PROPERTY OF ELECTRON METAL A.I.G. INC. ANY REPRODUCTION IN PART OR AS A WHOLE WITHOUT THE WRITTEN PERMISSION OF A.I.G. ELECTRON METAL INC IS PROHIBITED.

DRAWN BY:
E.D.
 CHECKED BY:
E.D.

Title:
HD CABLE MGT 44RU 8 x (77) x 9 WITHOUT DOOR

PROJECT:
G:\SWDwgs\CableMgt\CableMgt_Racks\HighDensityPlastic\Simple\Ensembles\

FILE:
GestHD8x77x9SansPorte_1830-002_Eng

APPROVED BY:
T.M.

PART NO.:
CMRHSN-084409

DRAWING NO.:
1830-002

REV.:

SCALE:
1:16

DATE:
2021-07-19

SHEET:
1 / 1