

8 7 6 5 4 3 2 1

D

B

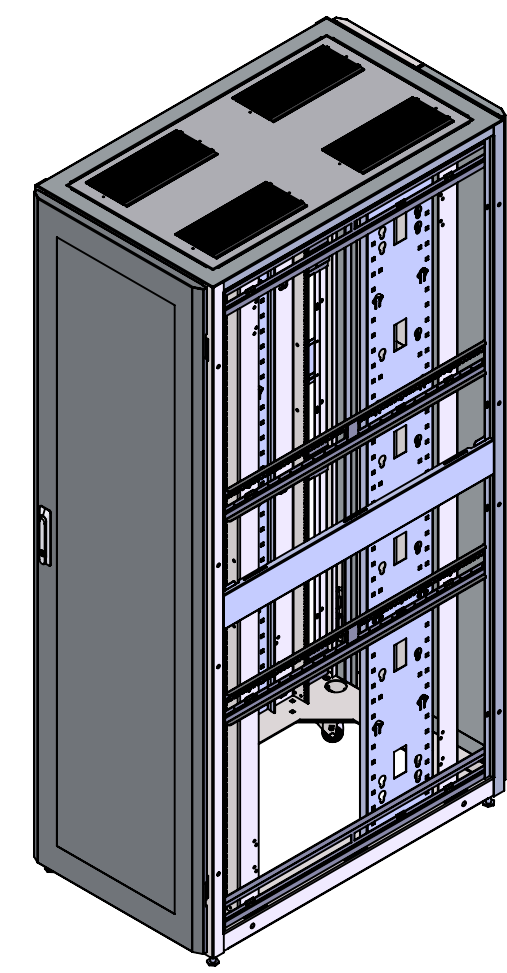
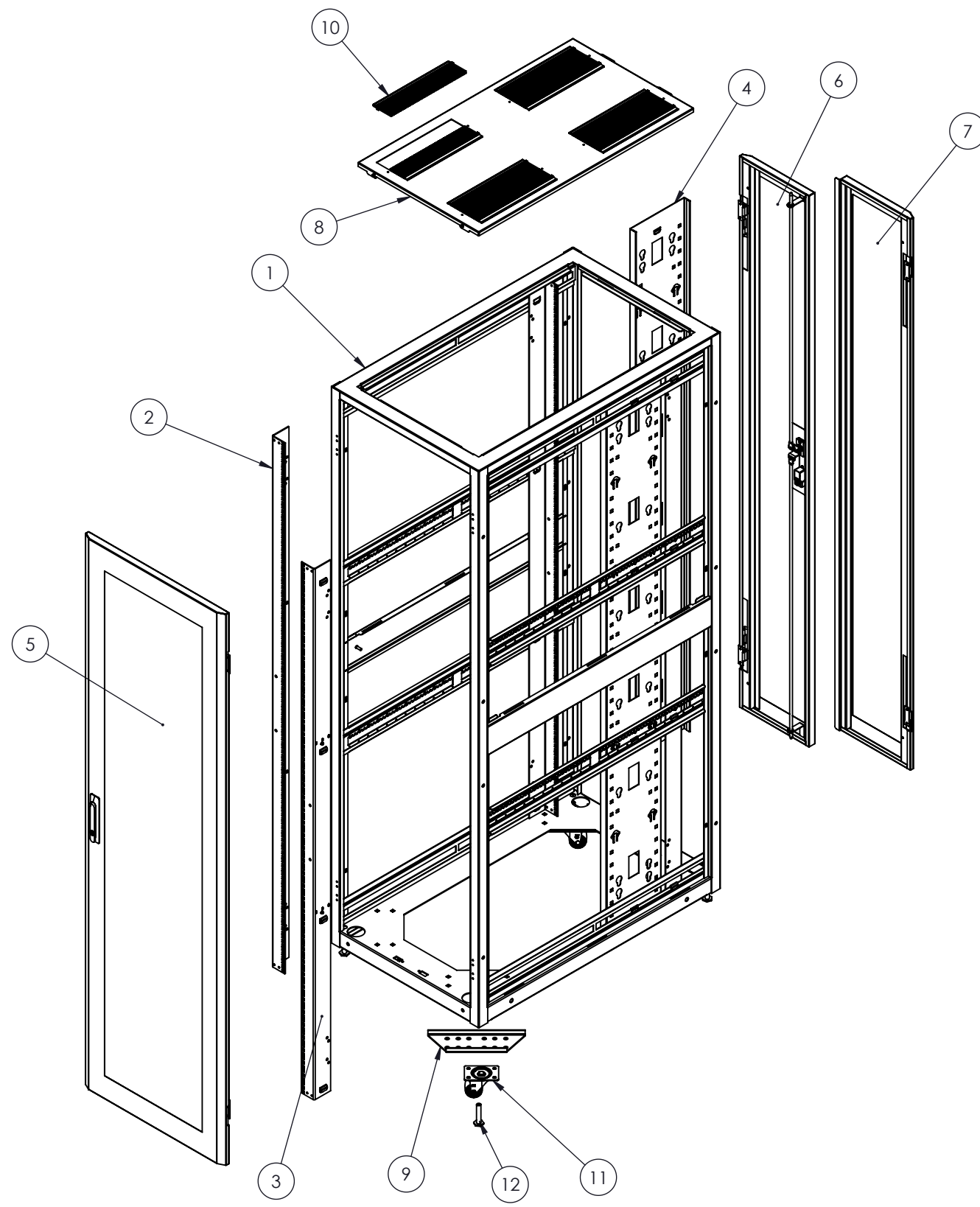
A

D

C

B

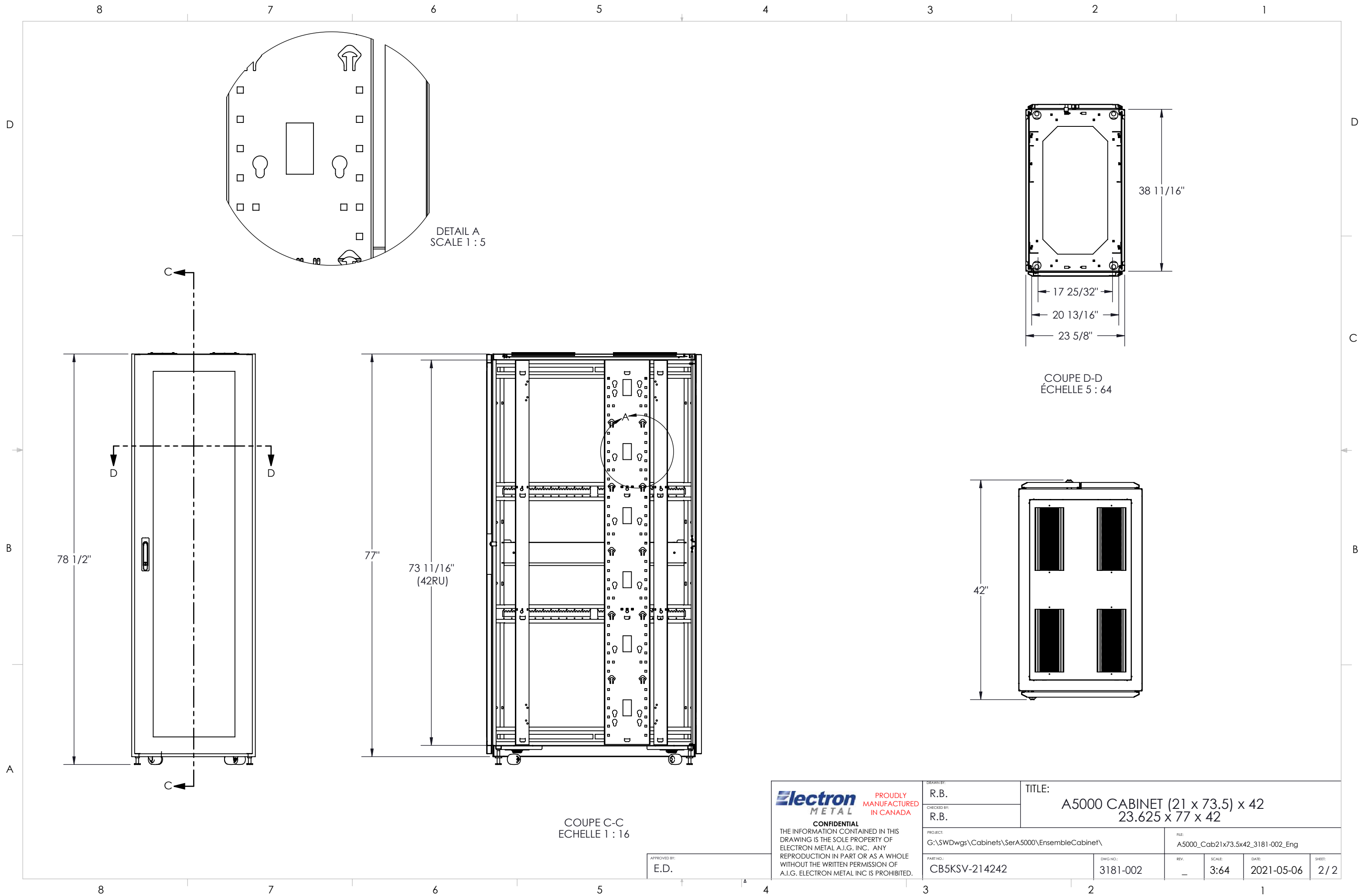
NO.	DWG/SUPPLIER	CFG/SUPPLIER NO.	DESCRIPTION	QTY
1	3176-008	Default	A5000 FRAME (21 x 73.5) x 42	1
2	3189-002	Default	A5000 MTG RAIL (73.5) ASS'Y RH	2
3	3189-001	Default	A5000 MTG RAIL (73.5) ASS'Y LH	2
4	3191-001	Default	A5000 U.A.C. (73.5) x 8.75 ASS'Y	2
5	3180-001	Default	A5000 PERFORATED DOOR (21 x 73.5)	1
6	3183-003	Default	A5000 SPLIT DOOR PERFORATED RH (21 x 73.5)	1
7	3183-001	Default	A5000 SPLIT DOOR PERFORATED L.H. (21 x 73.5)	1
8	3192-001	Default	A5000 TOP COVER (21) x 42 WITH BRUSH	1
9	1305036979	Default	CASTER PLATE	4
10	1305038909	Default	DOUBLE SNAP ON AIR LOCK BRUSH 2 x 12	8
11	03PO201B8106YY	Default	2" SWIVEL CASTER - 250 LBS	4
12	OHIO NUT & BOLT	FH 4440	LEVELLER, STEEL BASE 1/2-13	4



REV.	DESCRIPTION	DATE	APPR.
REVISIONS			

<p><b>Electron METAL</b> PROUDLY MANUFACTURED IN CANADA</p> <p><b>CONFIDENTIAL</b> THE INFORMATION CONTAINED IN THIS DRAWING IS THE SOLE PROPERTY OF ELECTRON METAL A.I.G. INC. ANY REPRODUCTION IN PART OR AS A WHOLE WITHOUT THE WRITTEN PERMISSION OF A.I.G. ELECTRON METAL INC IS PROHIBITED.</p>	DRAWN BY: R.B. CHECKED BY: R.B.	TITLE: <b>A5000 CABINET (21 x 73.5) x 42</b> 23.625 x 77 x 42				
	PROJECT: G:\SWDwgs\Cabinets\SerA5000\EnsembleCabinet\		FILE: A5000_Cab21x73.5x42_3181-002_Eng			
APPROVED BY: E.D.	PART NO.: CB5KSV-214242	DWG NO.: 3181-002	REV.: -	SCALE: 3:64	DATE: 2021-05-06	SHEET: 1 / 2

8 7 6 5 4 3 2 1



<b>Electron METAL</b> PROUDLY MANUFACTURED IN CANADA <b>CONFIDENTIAL</b> THE INFORMATION CONTAINED IN THIS DRAWING IS THE SOLE PROPERTY OF ELECTRON METAL A.I.G. INC. ANY REPRODUCTION IN PART OR AS A WHOLE WITHOUT THE WRITTEN PERMISSION OF A.I.G. ELECTRON METAL INC IS PROHIBITED.	DRAWN BY: R.B.	TITLE: A5000 CABINET (21 x 73.5) x 42 23.625 x 77 x 42			
	CHECKED BY: R.B.	PROJECT: G:\SWDwgs\Cabinets\SerA5000\EnsembleCabinet\	FILE: A5000_Cab21x73.5x42_3181-002_Eng		
APPROVED BY: E.D.	PART NO.: CB5KSV-214242	DWG NO.: 3181-002	REV.: -	SCALE: 3:64	DATE: 2021-05-06
					SHEET: 2/2