

NO.	NOTE	DESCRIPTION	QTY
1	2193-002	FRAME 24 x 90 x 42 SERIES 4000	1
2	1305027783	6" FAN CUTOUT COVER PLATE	4
3	1305022418 - (84)	MOUNTING RAIL 2.25" CAGE-NUTS	4
4	2472-002	UAC / VCM 48RU 1 x (84) x 6	1
5	1305030133	PERFORATED DOOR (21 x 84)	1
6	1305030134	SPLIT DOOR PERF. RH (21 x 84)	1
7	1305030137	SPLIT DOOR PERF. L.H. (21 x 84)	1
8	1305028646	SIDE PANEL 48RU (84) x 42 WITH LOCKS	2
9	NOT SHOWN	CAGE-NUTS 10-32	100
10	1305039067 - (21)	TOP COVER 4 FAN CUT-OUTS 6"	1
11	1305038320	TOP FRONT COVER PLATE	2
12	OHIO NUT & BOLT FH 4440	LEVELLER, STEEL BASE 1/2-13	4

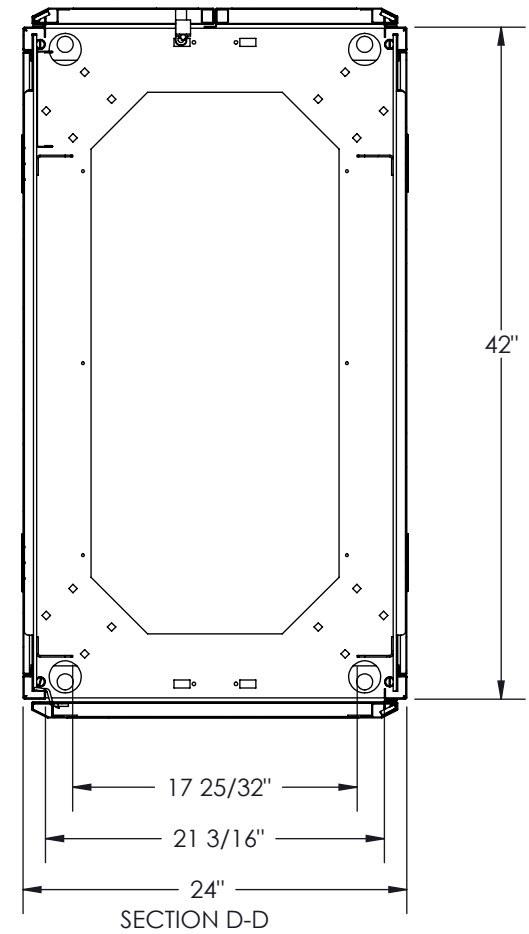
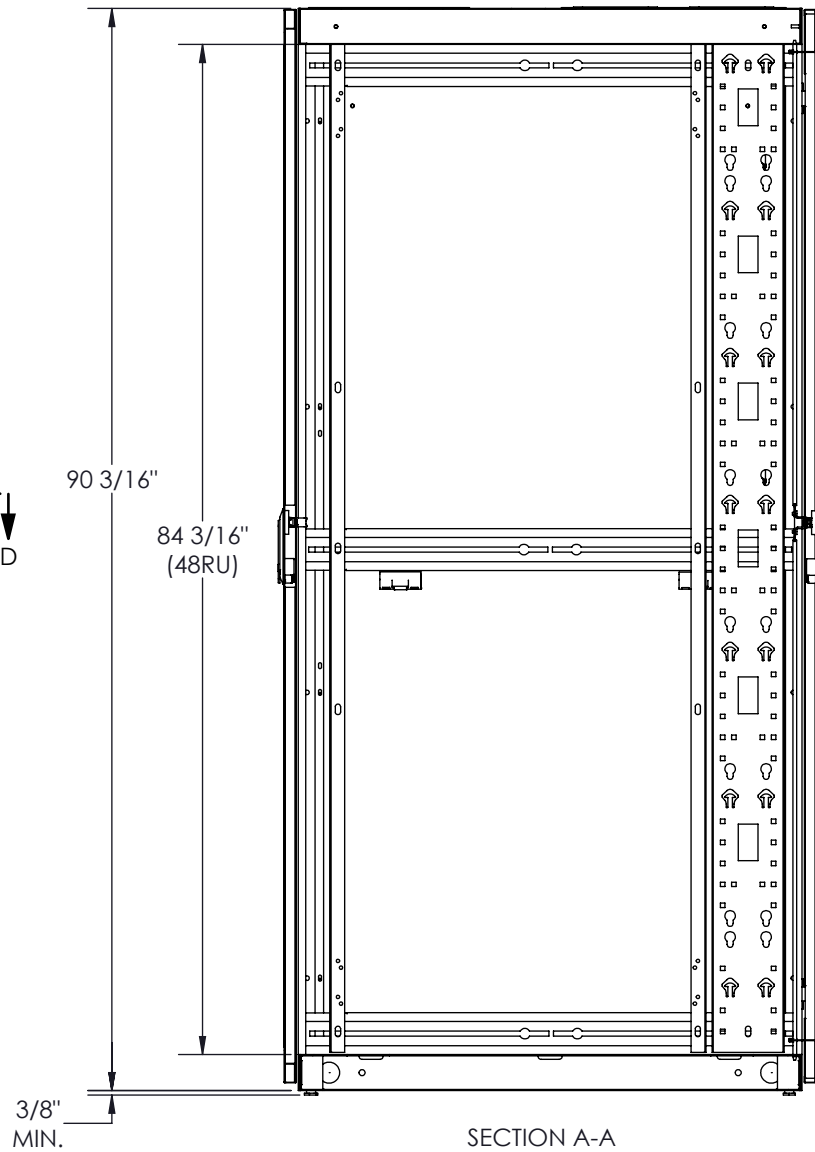
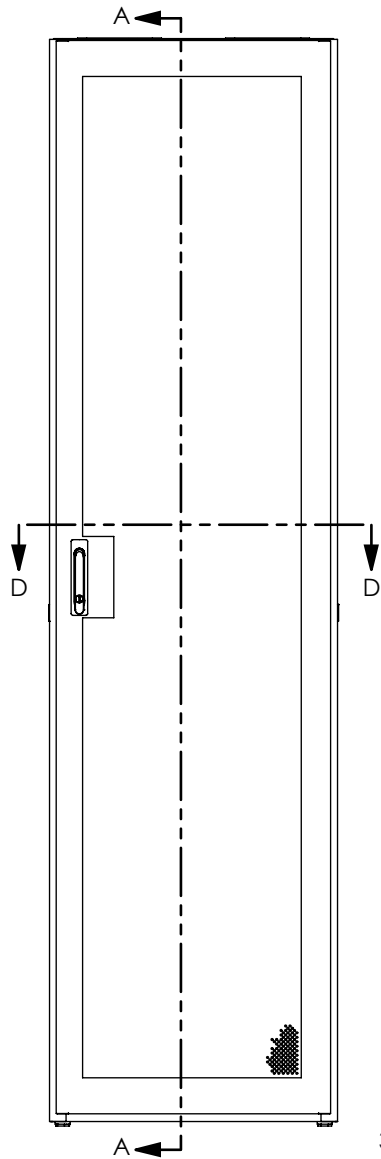
NOTES:

- 1 - MOUNTING RAIL TO HAVE RU MARKINGS.
- 2 - APPROXIMATE WEIGHT: 317 LBS.
- 3 - CAPACITY: 3000 LBS
- 4 - 100 CAGE-NUTS 10-32 SHIPPED LOOSE.
- 5 - 100 TRUSS HEAD SCREW 10-32 x 1/2 SHIPPED LOOSE.
- 6 - FINISH: TEXTURED POWDER COAT.
- 7 - CERTIFIED TO CSA STANDARD C22.2 NO. 70950-1

Electron METAL PROUDLY MANUFACTURED IN CANADA.

PROPRIETARY AND CONFIDENTIAL
 THE INFORMATION CONTAINED IN THIS DRAWING IS THE SOLE PROPERTY OF ELECTRON METAL A.I.G. INC. ANY REPRODUCTION IN PART OR AS A WHOLE WITHOUT THE WRITTEN PERMISSION OF A.I.G. ELECTRON METAL INC IS PROHIBITED.

DRAWN BY: E. D.	Title: SERIES 4000 SERVER CFG 48RU(21 x 84) x 42 24 x 90 x 42			
CHECKED BY: E. D.	PROJECT: G:\SWDwgs\Cabinets\Ser4000\EnsemblesServeur\			FILE: Kit21x84x42_2193-001_Eng
PART NO: CB4KSV-214842	DRAWING NO: 2193-001	REV.: -	SCALE: 1:20	DATE: 2018-02-07
				SHEET: 1 / 2



Electron PROUDLY MANUFACTURED IN CANADA.
METAL

PROPRIETARY AND CONFIDENTIAL
 THE INFORMATION CONTAINED IN THIS DRAWING IS THE SOLE PROPERTY OF ELECTRON METAL A.I.G. INC. ANY REPRODUCTION IN PART OR AS A WHOLE WITHOUT THE WRITTEN PERMISSION OF A.I.G. ELECTRON METAL INC IS PROHIBITED.

DRAWN BY: E. D.	Title: SERIES 4000 SERVER CFG 48RU (21 x 84) x 42				
	24 x 90 x 42				
CHECKED BY: E. D.	PROJECT: G:\SWDwgs\Cabinets\Ser4000\EnsemblesServeur\			FILE: Kit21x84x42_2193-001_Eng	
PART NO: CB4KSV-214842	DRAWING NO: 2193-001	REV.: -	SCALE: 1:16	DATE: 2018-02-07	SHEET: 2 / 2