

NO.	NOTE	DESCRIPTION	QTY
1	1305028795	FRAME 24 x 90 x 36 SERIES 4000	1
2	1305027783	6" FAN CUTOUT COVER PLATE	4
3	1305022418 - (84)	MOUNTING RAIL 2.25" CAGE-NUTS	4
4	2472-002	UAC / VCM 48RU 1 x (84) x 6	1
5	1305030133	PERFORATED DOOR (21 x 84)	1
6	1305030134	SPLIT DOOR PERF. RH (21 x 84)	1
7	1305030137	SPLIT DOOR PERF. L.H. (21 x 84)	1
8	1305039067 - (21)	TOP COVER 4 FAN CUT-OUTS 6"	1
9	1305038320	TOP FRONT COVER PLATE	2
10	1305028796	SIDE PANEL (84) x 36 LOCKS	2
11	OHIO NUT & BOLT FH 4440	LEVELLER, STEEL BASE 1/2-13	4

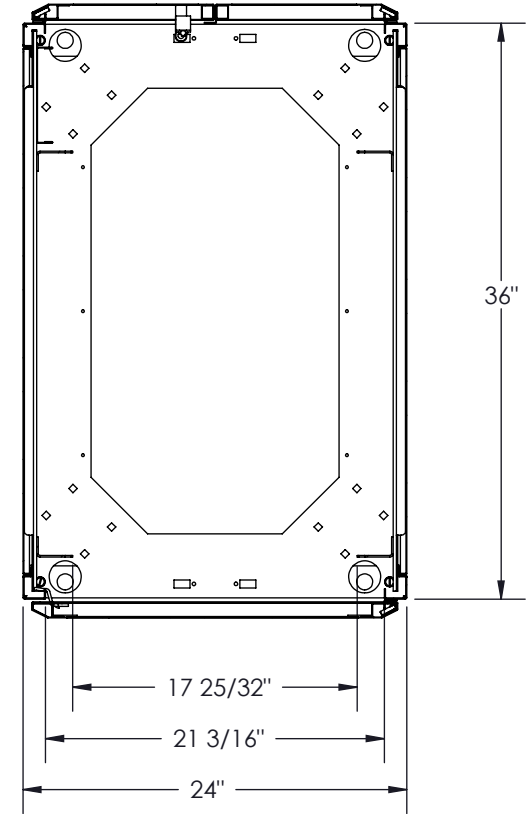
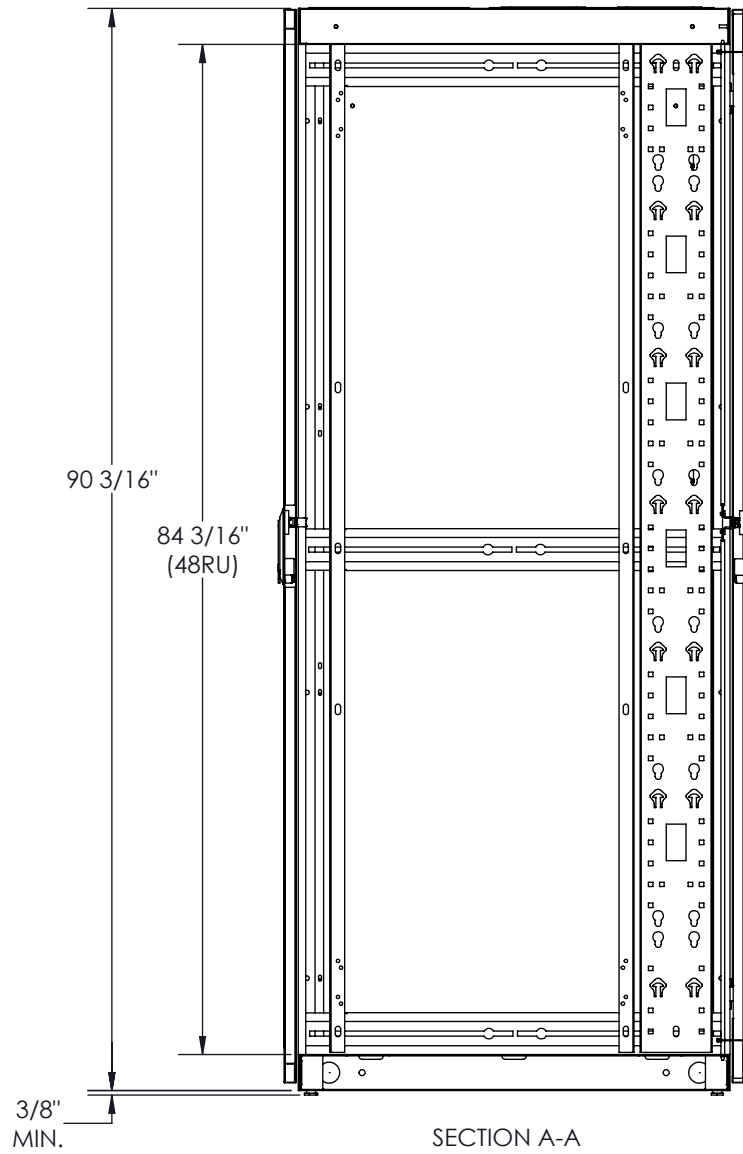
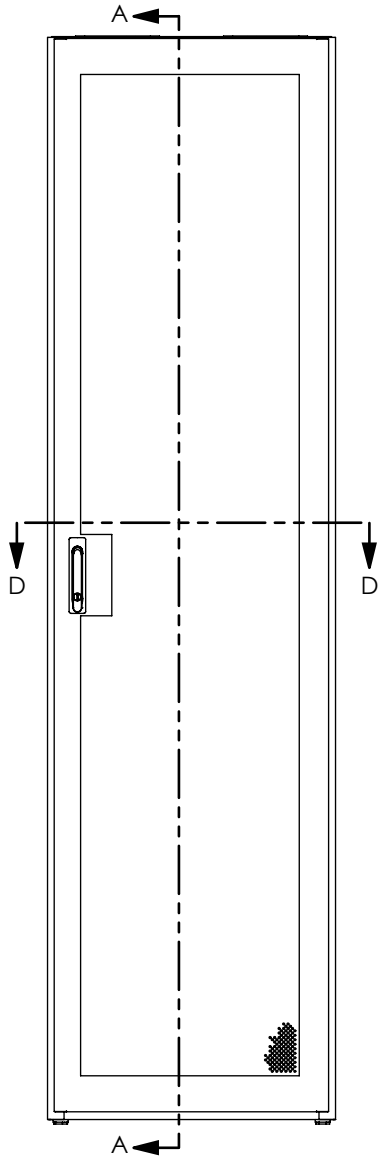
NOTES:

- 1 - MOUNTING RAIL TO HAVE RU MARKINGS.
- 2 - APPROXIMATE WEIGH: 293 LBS.
- 3 - CAPACITY: 3000 LBS
- 4 - 100 CAGE-NUTS 10-32 SHIPPED LOOSE.
- 5 - 100 TRUSS HEAD SCREW 10-32 x 1/2 SHIPPED LOOSE.
- 6 - FINISH: TEXTURED POWDER COAT.
- 7 - CERTIFIED TO CSA STANDARD C22.2 NO. 70950-1



**PROPRIETARY AND CONFIDENTIAL**  
 THE INFORMATION CONTAINED IN THIS DRAWING IS THE SOLE PROPERTY OF ELECTRON METAL A.I.G. INC. ANY REPRODUCTION IN PART OR AS A WHOLE WITHOUT THE WRITTEN PERMISSION OF A.I.G. ELECTRON METAL INC IS PROHIBITED.

DRAWN BY: E. D.		Title: SERIES 4000 SERVER CFG 48RU( 21 x 84) x 36 24 x 90 x 36			
CHECKED BY: E. D.		PROJECT: G:\SWDwgs\Cabinets\Ser4000\EnsemblesServeur\		FILE: Kit21x84x36_2192-001_Eng	
PART NO: CB4KSV-214836		DRAWING NO: 2192-001	REV.: -	SCALE: 1:20	DATE: 2018-02-07
					SHEET: 1 / 2



SECTION D-D

**Electron** PROUDLY MANUFACTURED IN CANADA.  
**METAL**

**PROPRIETARY AND CONFIDENTIAL**  
 THE INFORMATION CONTAINED IN THIS DRAWING IS THE SOLE PROPERTY OF ELECTRON METAL A.I.G. INC. ANY REPRODUCTION IN PART OR AS A WHOLE WITHOUT THE WRITTEN PERMISSION OF A.I.G. ELECTRON METAL INC IS PROHIBITED.

DRAWN BY:  
E. D.  
 CHECKED BY:  
E. D.

Title:  
**SERIES 4000 SERVER CFG 48RU( 21 x 84) x 36**  
**24 x 90 x 36**

PROJECT:  
 G:\SWDwgs\Cabinets\Ser4000\EnsemblesServeur\

FILE:  
 Kit21x84x36\_2192-001\_Eng

PART NO.:  
**CB4KSV-214836**

DRAWING NO.:  
 2192-001

REV.:  
 -

SCALE:  
 1:16

DATE:  
 2018-02-07

SHEET:  
 2 / 2