

NO.	NOTE	DESCRIPTION	QTY
1	1305026165	FRAME 24 x 83 x 42 SERIES 4000	1
2	OHIO NUT & BOLT FH 4440	LEVELLER, STEEL BASE 1/2-13	4
3	1305025160	SPLIT DOOR PERFORATED RH (21 x 77)	1
4	1305025161	SPLIT DOOR PERFORATED L.H. (21 x 77)	1
5	1305026167	SIDE PANEL (77) x 42 WITH LOCKS	2
6	1305024382	PERFORATED DOOR (21 X 77)	1
7	1305022418 - (77")	MOUNTING RAIL 2.25" CAGE-NUTS	4
8	1725-001	VERTICAL CABLE MGT / U.A.C. 44RU - 6 x (77)	1
9	1305027783	6" FAN CUTOUT COVER PLATE	4
10	1305039067 - (21)	TOP COVER 4 FAN CUT-OUTS 6"	1
11	1305038320	TOP FRONT COVER PLATE	2
12	1305024143	CASTER PLATE	4
13	FAULTLESS 25300	3" PIVOTING CASTER	2
14	FAULTLESS 25300	3" PIVOTING CASTER	2

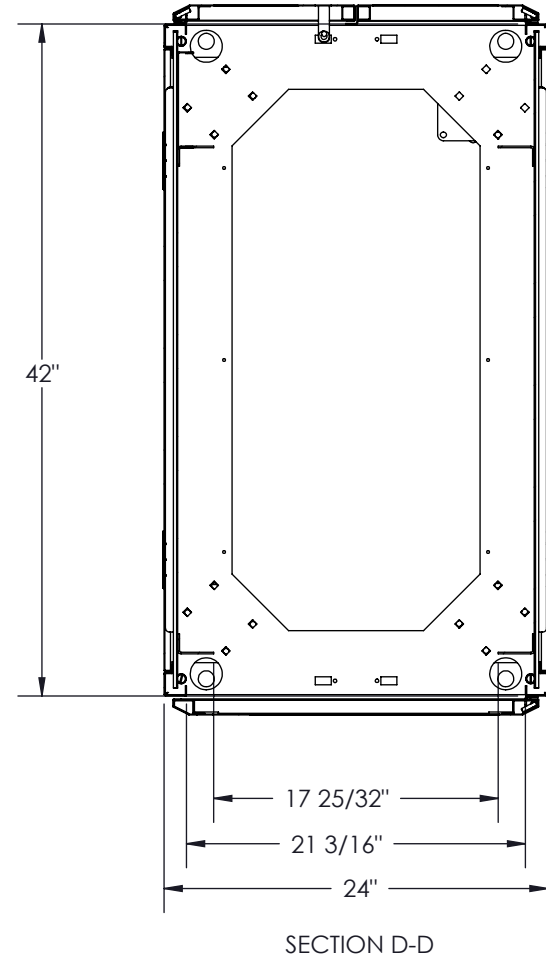
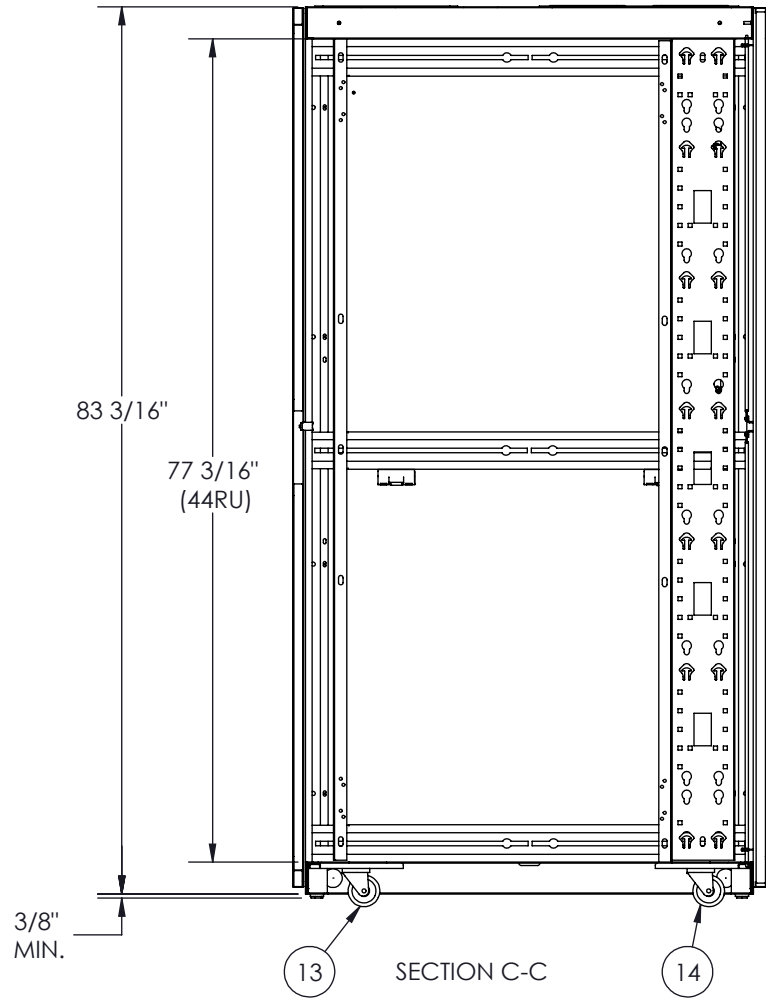
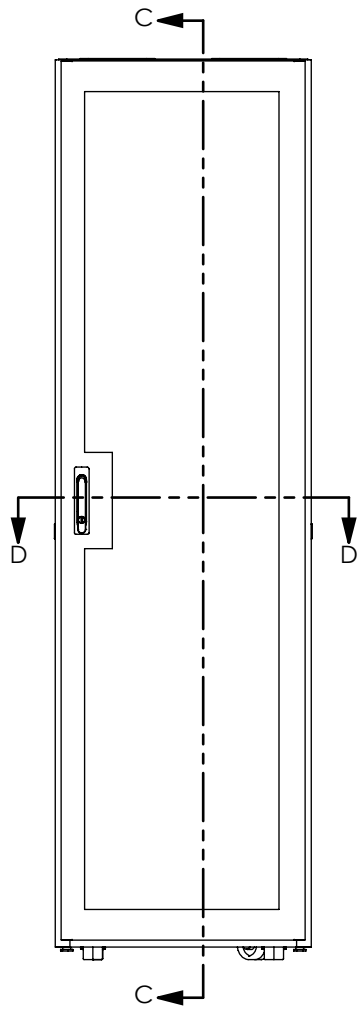
NOTES:

- 1 - MOUNTING RAIL TO HAVE RU MARKINGS.
- 2 - APPROXIMATE WEIGH: 300 LBS.
- 3 - CAPACITY: 3000 LBS
- 4 - 100 CAGE-NUTS 10-32 SHIPPED LOOSE.
- 5 - 100 TRUSS HEAD SCREW 10-32 x 1/2 SHIPPED LOOSE.
- 6 - FINISH: TEXTURED POWDER COAT.
- 7 - CERTIFIED TO CSA STANDARD C22.2 NO. 70950-1



PROPRIETARY AND CONFIDENTIAL
 THE INFORMATION CONTAINED IN THIS DRAWING IS THE SOLE PROPERTY OF ELECTRON METAL A.I.G. INC. ANY REPRODUCTION IN PART OR AS A WHOLE WITHOUT THE WRITTEN PERMISSION OF A.I.G. ELECTRON METAL INC IS PROHIBITED.

DRAWN BY: S.D.		Title: SERIES 4000 (21 x 77) x 42 SERVER CFG 24 x 83 x 42			
CHECKED BY: E.D.		PROJECT: G:\SWDwgs\Cabinets\Ser4000\EnsemblesServeur\		FILE: Kit21x77x42_1305026166_Eng	
PART NO: CB4KSV-214442		DRAWING NO: 1305026166	REV.: E	SCALE: 1:22	DATE: 2008-12-04
					SHEET: 1 / 2



Electron METAL PROUDLY MANUFACTURED IN CANADA.

PROPRIETARY AND CONFIDENTIAL
 THE INFORMATION CONTAINED IN THIS DRAWING IS THE SOLE PROPERTY OF ELECTRON METAL A.I.G. INC. ANY REPRODUCTION IN PART OR AS A WHOLE WITHOUT THE WRITTEN PERMISSION OF A.I.G. ELECTRON METAL INC IS PROHIBITED.

DRAWN BY: S.D.	Title: SERIES 4000 (21 x 77) x 42 SERVER CFG 24 x 83 x 42					
	CHECKED BY: E.D.	PROJECT: G:\SWDwgs\Cabinets\Ser4000\EnsemblesServeur\			FILE: Kit21x77x42_1305026166_Eng	
PART NO: CB4KSV-214442		DRAWING NO: 1305026166	REV.: E	SCALE: 1:18	DATE: 2008-12-04	SHEET: 2 / 2