

NO.	NOTE	DESCRIPTION	QTY
1	1305024185	FRAME 44RU 24 x 83 x 36 SERIES 4000	1
2	1305027783	6" FAN CUTOUT COVER PLATE	4
3	1305022418 - (77")	MOUNTING RAIL 2.25" CAGE-NUTS	4
4	1725-001	VERTICAL CABLE MGT / U.A.C. 44RU - 6 x (77)	1
5	1305024382	PERFORATED DOOR (21 X 77)	1
6	1305025160	SPLIT DOOR PERFORATED RH (21 x 77)	1
7	1305025161	SPLIT DOOR PERFORATED L.H. (21 x 77)	1
8	1305039067 - (21)	TOP COVER 4 FAN CUT-OUTS 6"	1
9	1305038320	TOP FRONT COVER PLATE	2
10	1305025239	SIDE PANEL (77) X 36 WITH LOCKS	2
11	OHIO NUT & BOLT FH 4440	LEVELLER, STEEL BASE 1/2-13	4

NOTES:

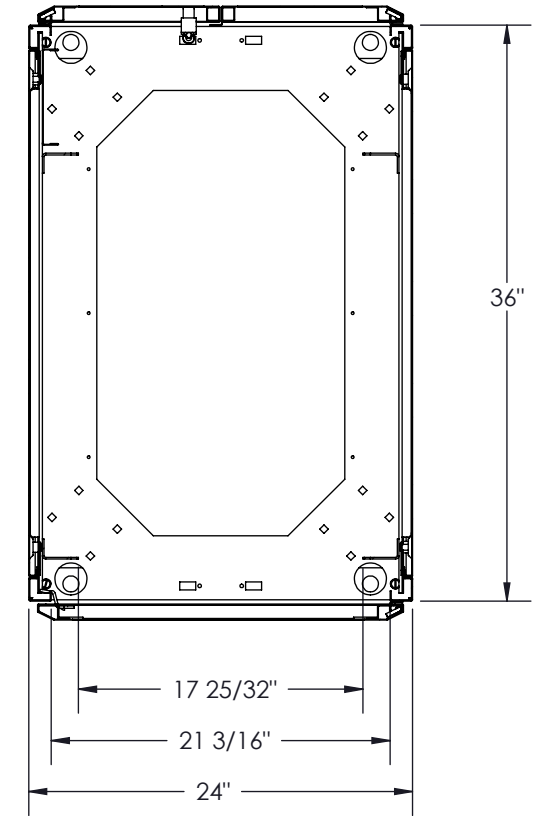
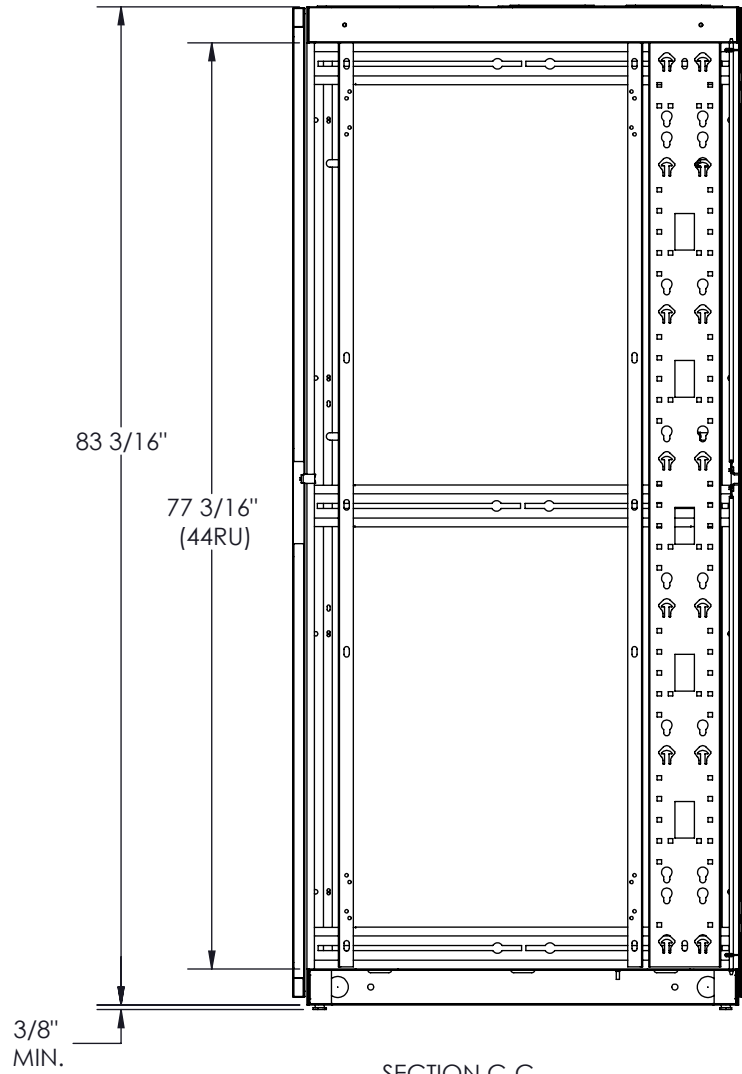
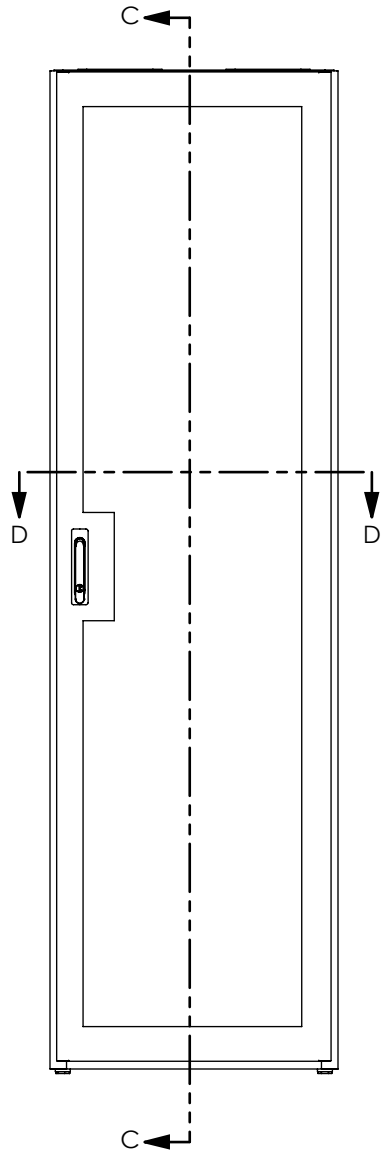
- 1 - MOUNTING RAIL TO HAVE RU MARKINGS.
- 2 - APPROXIMATE WEIGHT: 300 LBS.
- 3 - CAPACITY: 3000 LBS
- 4 - 100 CAGE-NUTS 10-32 SHIPPED LOOSE.
- 5 - 100 TRUSS HEAD SCREW 10-32 x 1/2 SHIPPED LOOSE.
- 6 - FINISH: TEXTURED POWDER COAT.
- 7 - CERTIFIED TO CSA STANDARD C22.2 NO. 70950-1

B	REPLACED COVER (TO ACCOMODATE BRUSHES). MOVED FAN HOLES, ADDED NOTES	1/24/2017	DR	N/A
RÉV.	DESCRIPTION	DATE	APPR.	INV.
RÉVISIONS				



**PROPRIETARY AND CONFIDENTIAL**  
 THE INFORMATION CONTAINED IN THIS DRAWING IS THE SOLE PROPERTY OF ELECTRON METAL A.I.G. INC. ANY REPRODUCTION IN PART OR AS A WHOLE WITHOUT THE WRITTEN PERMISSION OF A.I.G. ELECTRON METAL INC IS PROHIBITED.

DRAWN BY: E. D.		Title: SERIES 4000 SERVER CFG (21 x 77) x 36 24 x 83 x 36			
CHECKED BY: E. D.		PROJECT: G:\SWDwgs\Cabinets\Ser4000\EnsemblesServeur\		FILE: Kit21x77x36_1305024186C	
PART NO: CB4KSV-214436		DRAWING NO: 1305024186	REV.: B	SCALE: 1:20	DATE: 2007-05-15
					SHEET: 1 / 2



SECTION C-C

SECTION D-D

**Electron METAL** PROUDLY MANUFACTURED IN CANADA.

**PROPRIETARY AND CONFIDENTIAL**  
 THE INFORMATION CONTAINED IN THIS DRAWING IS THE SOLE PROPERTY OF ELECTRON METAL A.I.G. INC. ANY REPRODUCTION IN PART OR AS A WHOLE WITHOUT THE WRITTEN PERMISSION OF A.I.G. ELECTRON METAL INC IS PROHIBITED.

DRAWN BY:  
E. D.  
CHECKED BY:  
E. D.

Title:  
SERIES 4000 SERVER CFG (21 x 77) x 36  
24 x 83 x 36

PROJECT:  
G:\SWDwgs\Cabinets\Ser4000\EnsemblesServeur\

FILE:  
Kit21x77x36\_1305024186C

PART NO.:  
CB4KSV-214436

DRAWING NO.:  
1305024186

REV.:  
B

SCALE:  
1:16

DATE:  
2007-05-15

SHEET:  
2 / 2