

NO.	NOTE	DESCRIPTION	QTY
1	1305029522	FRAME 24 x 79.5 x 36 SERIES 4000	1
2	1305022418 - (73.5")	MOUNTING RAIL 2.25" CAGE-NUTS	4
3	1305027783	6" FAN CUTOUT COVER PLATE	4
4	1305039067 - (21)	TOP COVER 4 FAN CUT-OUTS 6"	1
5	1305038320	TOP FRONT COVER PLATE	2
6	1305030422	PERFORATED DOOR 42RU (21 x 73.5)	1
7	1305030183	SPLIT DOOR PERFORATED RH (21 x 73.5)	1
8	1305030184	SPLIT DOOR PERFORATED LH (21 x 73.5)	1
9	2413-001	VERTICAL CABLE MGT / U.A.C. (73.5) x 6	1
10	1305029523	SIDE PANEL (73.5) x 36 LOCKS	2
11	OHIO NUT & BOLT FH 4440	LEVELLER, STEEL BASE 1/2-13	4

NOTES:

- 1 - MOUNTING RAIL TO HAVE RU MARKINGS.
- 2 - APPROXIMATE WEIGH: 275 LBS.
- 3 - CAPACITY: 3000 LBS
- 4 - 100 CAGE-NUTS 10-32 SHIPPED LOOSE.
- 5 - 100 TRUSS HEAD SCREW 10-32 x 1/2 SHIPPED LOOSE.
- 6 - FINISH: TEXTURED POWDER COAT.
- 7 - CERTIFIED TO CSA STANDARD C22.2 NO. 70950-1

**Electron** PROUDLY  
METAL MANUFACTURED  
IN CANADA.

**PROPRIETARY AND CONFIDENTIAL**  
THE INFORMATION CONTAINED IN THIS  
DRAWING IS THE SOLE PROPERTY OF  
ELECTRON METAL A.I.G. INC. ANY  
REPRODUCTION IN PART OR AS A WHOLE  
WITHOUT THE WRITTEN PERMISSION OF  
A.I.G. ELECTRON METAL INC IS PROHIBITED.

DRAWN BY:  
TOM

CHECKED BY:  
TOM

PROJECT:  
G:\SWDwgs\Cabinets\Ser4000\EnsemblesServeur\

PART NO.:  
CB4KSV-214236

Title:  
SERIES 4000 42RU (21 x 73.5) x 36 SERVER CFG  
24 x 79 x 36

FILE:  
Kit21x73x36\_1305030182\_Eng

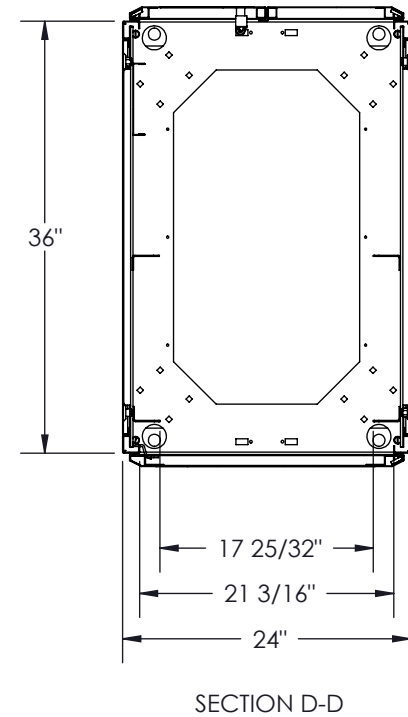
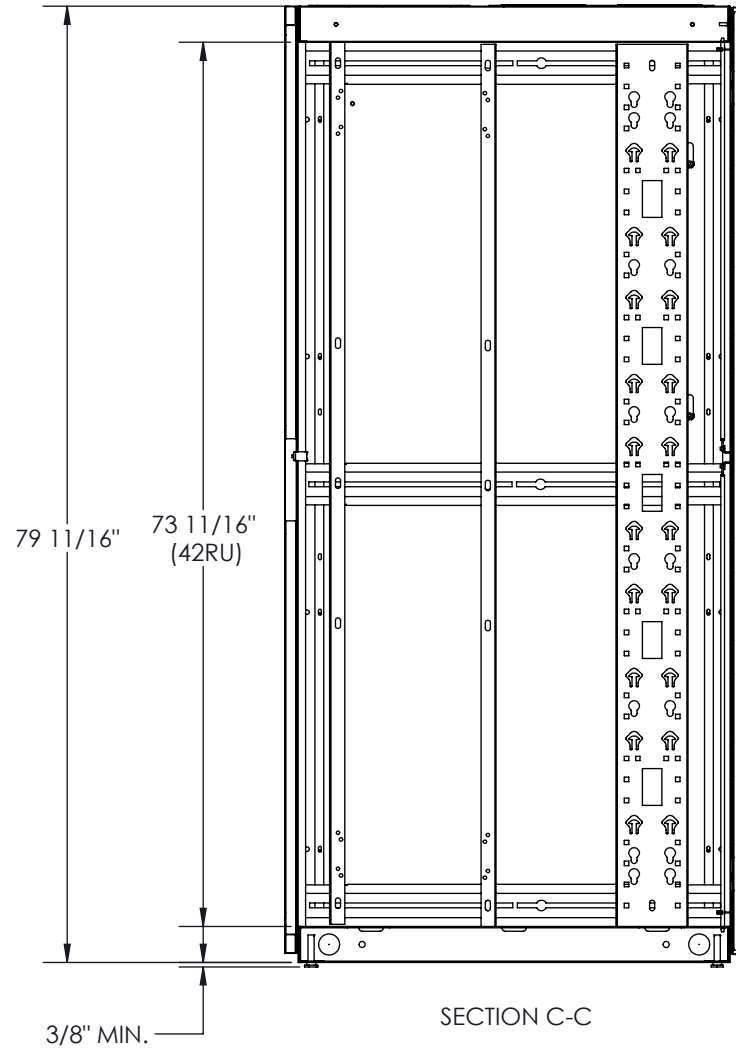
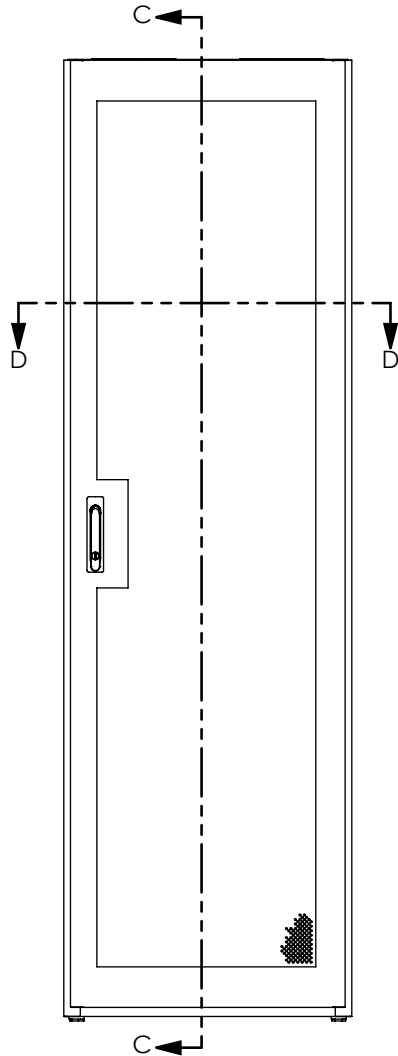
DRAWING NO.:  
1305030182

REV.:  
B

SCALE:  
3:64

DATE:  
2011-09-16

SHEET:  
1 / 2



**Electron** PROUDLY  
METAL MANUFACTURED  
IN CANADA.

**PROPRIETARY AND CONFIDENTIAL**  
THE INFORMATION CONTAINED IN THIS  
DRAWING IS THE SOLE PROPERTY OF  
ELECTRON METAL A.I.G. INC. ANY  
REPRODUCTION IN PART OR AS A WHOLE  
WITHOUT THE WRITTEN PERMISSION OF  
A.I.G. ELECTRON METAL INC IS PROHIBITED.

DRAWN BY:  
TOM

CHECKED BY:  
TOM

PROJECT:  
G:\SWDwgs\Cabinets\Ser4000\EnsemblesServeur\

PART NO.:  
CB4KSV-214236

Title:  
SERIES 4000 42RU (21 x 73.5) x 36 SERVER CFG  
24 x 79 x 36

FILE:  
Kit21x73x36\_1305030182\_Eng

DRAWING NO.:  
1305030182

REV.:  
B

SCALE:  
1:16

DATE:  
2011-09-16

SHEET:  
2 / 2