

NO.	NOTE	DESCRIPTION	QTY
1	1305028694	FRAME 24 x 48 x 42 SERIES 4000	1
2	1305027783	6" FAN CUTOUT COVER PLATE	4
3	1305022418 - (35")	MOUNTING RAIL 2.25" CAGE-NUTS	4
4	2472-022	U.A.C. / V.C.M. 24RU 1 x (42) x 6	1
5	1305028638	PERFORATED DOOR (21 x 42)	1
6	1305027441	SPLIT DOOR PERFORATED LH (21 x 42)	1
7	1305028695	SPLIT DOOR PERFORATED RH (19 x 42)	1
8	1305028697	SIDE PANEL (42) x 42 WITH LOCKS	2
9	1305039067 - (21)	TOP COVER 4 FAN CUT-OUTS 6"	1
10	1305038320	TOP FRONT COVER PLATE	2
11	OHIO NUT & BOLT FH 4440	LEVELLER, STEEL BASE 1/2-13	4

NOTES:

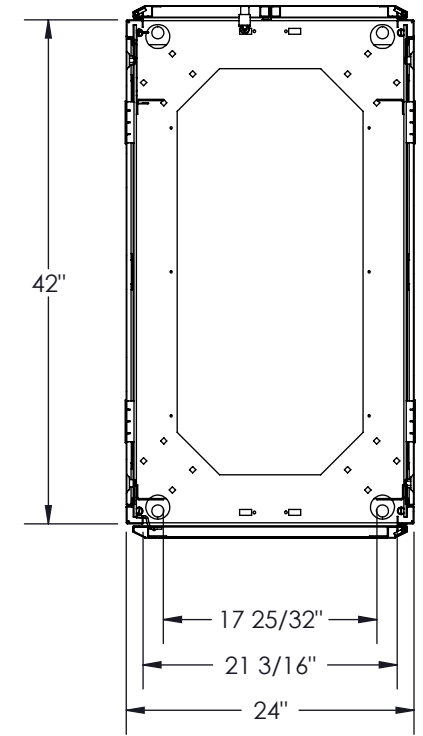
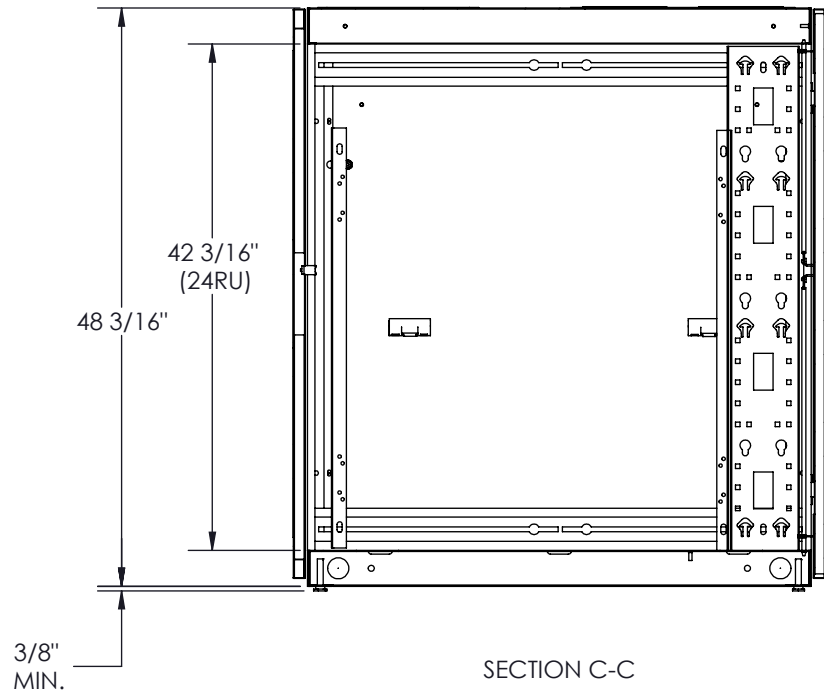
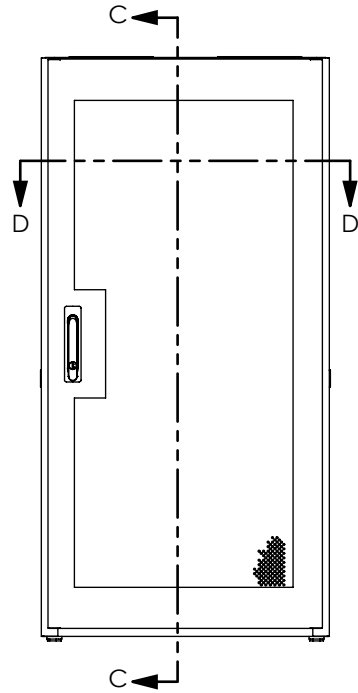
- 1 - MOUNTING RAIL TO HAVE RU MARKINGS.
- 2 - APPROXIMATE WEIGTH: 200 LBS.
- 3 - CAPACITY: 3000 LBS
- 4 - 50 CAGE-NUTS 10-32 SHIPPED LOOSE.
- 5 - 50 TRUSS HEAD SCREW 10-32 x 1/2 SHIPPED LOOSE.
- 6 - FINISH: TEXTURED POWDER COAT.
- 7 - CERTIFIED TO CSA STANDARD C22.2 NO. 70950-1

B	REPLACED COVER (TO ACCOMODATE BRUSHES). MOVED FAN HOLES, ADDED NOTES	1/24/2017	DR
RÉV.	DESCRIPTION	DATE	APPR.
RÉVISIONS			



PROPRIETARY AND CONFIDENTIAL
 THE INFORMATION CONTAINED IN THIS DRAWING IS THE SOLE PROPERTY OF ELECTRON METAL A.I.G. INC. ANY REPRODUCTION IN PART OR AS A WHOLE WITHOUT THE WRITTEN PERMISSION OF A.I.G. ELECTRON METAL INC IS PROHIBITED.

DRAWN BY: E.D.	Title: SERIES 4000 SERVER CFG 24RU (21 x 42) x 42 24 x 48 x 42			
CHECKED BY: E.D.	PROJECT: G:\SWDwgs\Cabinets\Ser4000\EnsemblesServeur\		FILE: Kit21x42x42_1305028691_Eng	
PART NO: CB4KSV-212442	DRAWING NO: 1305028691	REV.: B	SCALE: 3:64	DATE: 2010-11-02
				SHEET: 1 / 2



SECTION C-C SECTION D-D

Electron METAL PROUDLY MANUFACTURED IN CANADA.

PROPRIETARY AND CONFIDENTIAL
 THE INFORMATION CONTAINED IN THIS DRAWING IS THE SOLE PROPERTY OF ELECTRON METAL A.I.G. INC. ANY REPRODUCTION IN PART OR AS A WHOLE WITHOUT THE WRITTEN PERMISSION OF A.I.G. ELECTRON METAL INC IS PROHIBITED.

DRAWN BY: E.D.	Title: SERIES 4000 SERVER CFG 24RU (21 x 42) x 42 24 x 48 x 42				
CHECKED BY: E.D.	PROJECT: G:\SWDwgs\Cabinets\Ser4000\EnsemblesServeur\			FILE: Kit21x42x42_1305028691_Eng	
PART NO: CB4KSV-212442	DRAWING NO: 1305028691	REV.: B	SCALE: 1:16	DATE: 2010-11-02	SHEET: 2 / 2