

NO.	DWG/SUPPLIER	CFG/ SUPPLIER NO.	DESCRIPTION	QTY
1	1305029005	Default	FRAME 30 x 90 x 48 SERIES 4000	1
2	1305039134	(84")	MOUNTING RAIL CAGE-NUT 5.25" FOR BRUSH	4
3	1305021152	Default	VERTICAL CABLE MGT 3.25 x (84) x 5	2
4	2472-002	Default	UAC / VCM 48RU 1 x (84) x 6	1
5	1305028647	Default	PERFORATED DOOR (27 x 84)	1
6	1305029007	Default	PERFORATED SPLIT DOOR RH (27 x 84)	1
7	1305027239	Default	PERFORATED SPLIT DOOR LH (27 x 84)	1
8	1305038320	default	TOP FRONT COVER PLATE	2
9	1305039067	(27)	TOP COVER 4 FAN CUT-OUTS 6"	1
10	1305027783	Default	6" FAN CUTOUT COVER PLATE	4
11	2368-001	Default	SPLIT SIDE PANEL (84) x 48 LOCKS	2
12	OHIO NUT & BOLT	FH 4440	LEVELLER, STEEL BASE 1/2-13	4

NOTES:

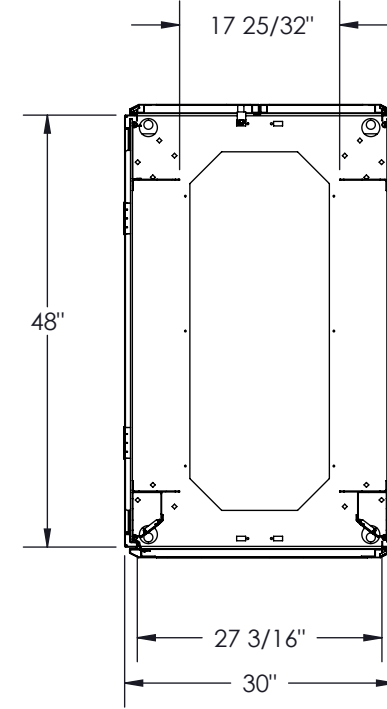
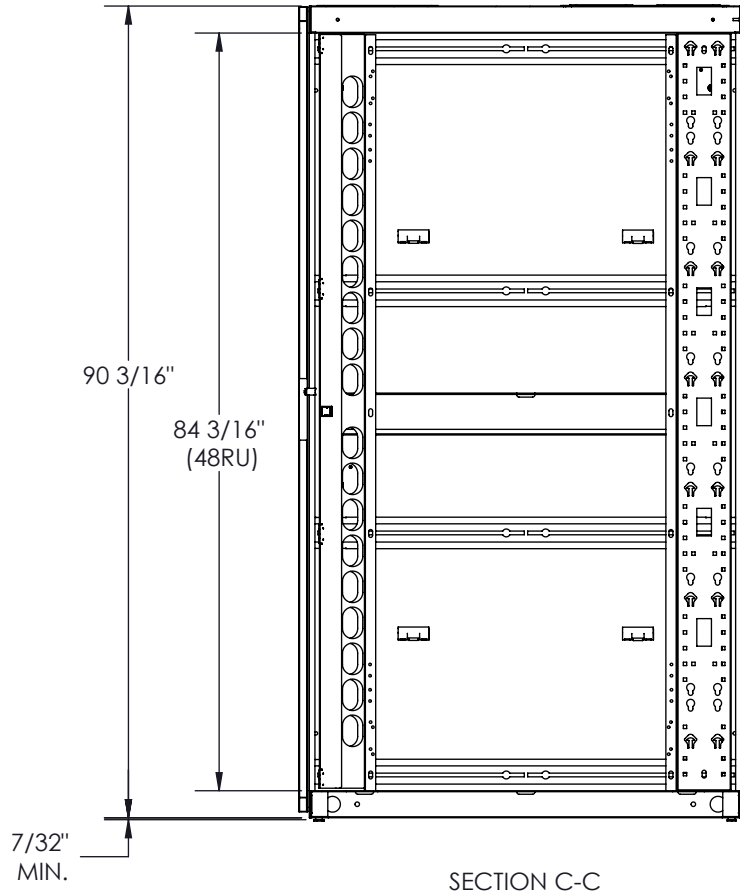
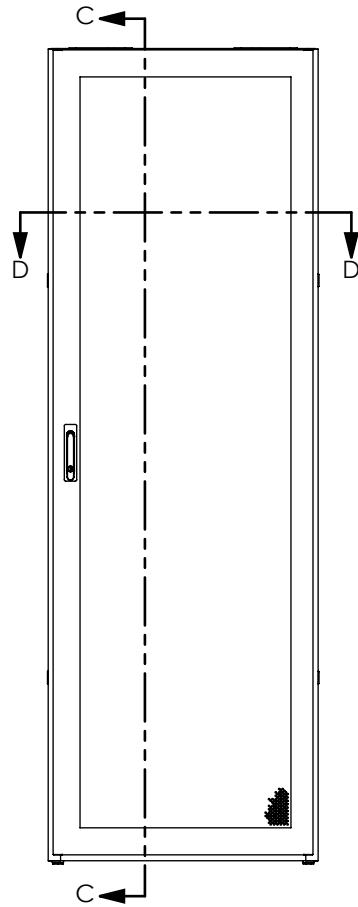
- 1 - MOUNTING RAIL TO HAVE RU MARKINGS.
- 2 - APPROXIMATE WEIGH: 431 LBS.
- 3 - CAPACITY: 3000 LBS
- 4 - 100 CAGE-NUTS 10-32 SHIPPED LOOSE.
- 5 - 100 TRUSS HEAD SCREW 10-32 x 1/2 SHIPPED LOOSE.
- 6 - FINISH: TEXTURED POWDER COAT
- 7 - CERTIFIED TO CSA STANDARD C22.2 NO. 70950-1



PROPRIETARY AND CONFIDENTIAL
 THE INFORMATION CONTAINED IN THIS DRAWING IS THE SOLE PROPERTY OF ELECTRON METAL A.I.G. INC. ANY REPRODUCTION IN PART OR AS A WHOLE WITHOUT THE WRITTEN PERMISSION OF A.I.G. ELECTRON METAL INC IS PROHIBITED.

APPROVED BY:
 T.M.

DRAWN BY: E.D.	Title: SERIES 4000 NETWORK CFG (27 x 84) x 48 30 x 90 x 48	
CHECKED BY: E.D.		
PROJECT: G:\SWDwgs\Cabinets\Ser4000\EnsemblesReseau\	FILE: KitNet27x84x48_1305029004_Eng	
PART NO: CB4KNW-274848-BK	DRAWING NO: 1305029004	REV.: A
	SCALE: 1:32	DATE: 2011-01-14
		SHEET: 1 / 2



SECTION C-C

SECTION D-D

Electron METAL PROUDLY MANUFACTURED IN CANADA.

PROPRIETARY AND CONFIDENTIAL
 THE INFORMATION CONTAINED IN THIS DRAWING IS THE SOLE PROPERTY OF ELECTRON METAL A.I.G. INC. ANY REPRODUCTION IN PART OR AS A WHOLE WITHOUT THE WRITTEN PERMISSION OF A.I.G. ELECTRON METAL INC IS PROHIBITED.

APPROVED BY:
 T.M.

DRAWN BY:
 E.D.

CHECKED BY:
 E.D.

PROJECT:
 G:\SWDwgs\Cabinets\Ser4000\EnsemblesReseau\

PART NO.:
 CB4KNW-274848-BK

Title:
 SERIES 4000 NETWORK CFG (27 x 84) x 48
 30 x 90 x 48

DRAWING NO.:
 1305029004

FILE:
 KitNet27x84x48_1305029004_Eng

REV.:
 A

SCALE:
 3:64

DATE:
 2011-01-14

SHEET:
 2 / 2