

NO.	NOTE	DESCRIPTION	QTY
1	1305026645	FRAME 48RU 30 x 90 x 42 SERIES 4000	1
2	1305021152	VERTICAL CABLE MGT 3.25 x (84) x 5	2
3	1305039134 - (84)	MOUNTING RAIL CAGE-NUT 5.25" FOR BRUSH	4
4	2472-002	UAC / VCM 48RU 1 x (84) x 6	1
5	1305039067 - (27)	TOP COVER 4 FAN CUT-OUTS 6"	1
6	1305038320	TOP FRONT COVER PLATE	2
7	1305027783	6" FAN CUTOUT COVER PLATE	4
8	1305028647	PERFORATED DOOR (27 x 84)	1
9	1305029007	PERFORATED SPLIT DOOR RH (27 x 84)	1
10	1305027239	PERFORATED SPLIT DOOR LH (27 x 84)	1
11	1305028646	SIDE PANEL 48RU (84) x 42 WITH LOCKS	2
12	OHIO NUT & BOLT FH 4440	LEVELLER, STEEL BASE 1/2-13	4

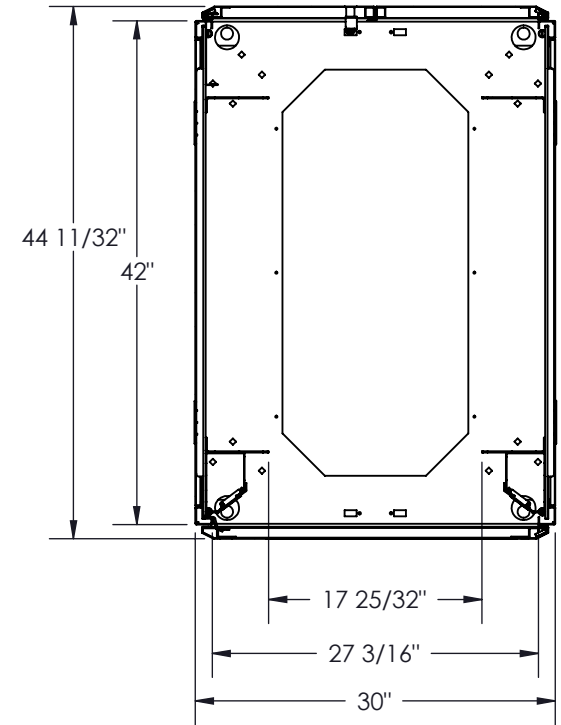
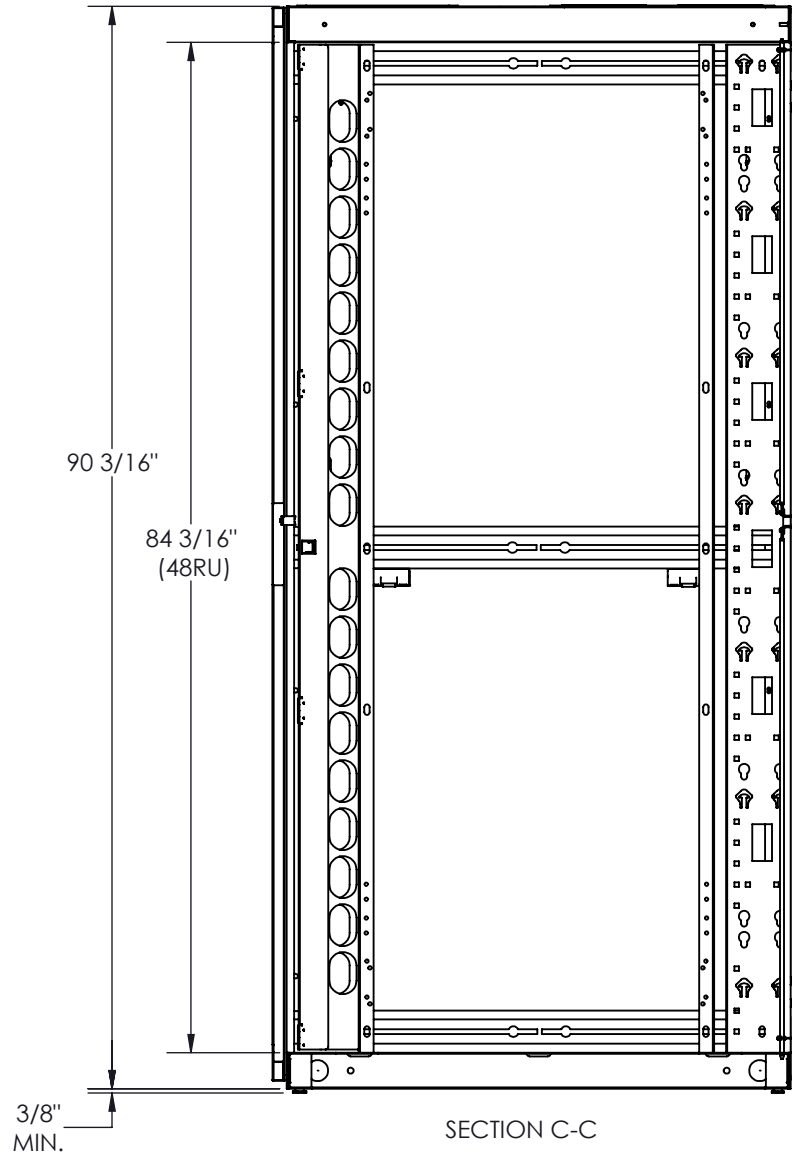
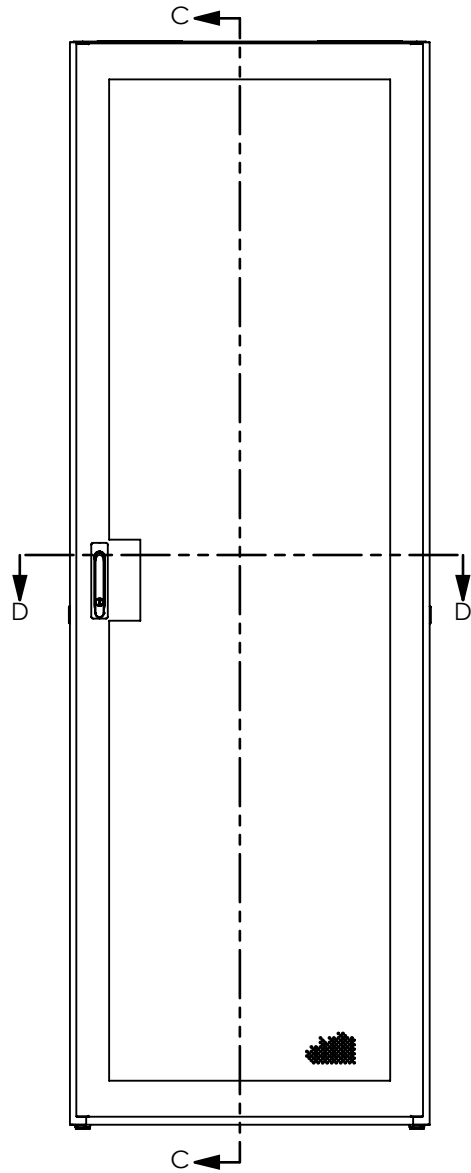
NOTES:

- 1 - MOUNTING RAIL TO HAVE RU MARKINGS.
- 2 - APPROXIMATE WEIGHT: 400 LBS.
- 3 - CAPACITY: 3000 LBS
- 4 - 100 CAGE-NUTS 10-32 SHIPPED LOOSE.
- 5 - 100 TRUSS HEAD SCREW 10-32 x 1/2 SHIPPED LOOSE.
- 6 - FINISH: TEXTURED POWDER COAT
- 7 - CERTIFIED TO CSA STANDARD C22.2 NO. 70950-1

Electron METAL PROUDLY MANUFACTURED IN CANADA.

PROPRIETARY AND CONFIDENTIAL
 THE INFORMATION CONTAINED IN THIS DRAWING IS THE SOLE PROPERTY OF ELECTRON METAL A.I.G. INC. ANY REPRODUCTION IN PART OR AS A WHOLE WITHOUT THE WRITTEN PERMISSION OF A.I.G. ELECTRON METAL INC IS PROHIBITED.

DRAWN BY: E.D.	Title: SERIES 4000 48RU (27 x 84) x 42 NET CFG 30 x 90 x 42				
CHECKED BY: E.D.	PROJECT: G:\SWDwgs\Cabinets\Ser4000\EnsemblesReseau\				FILE: KitNet27x84x42_1305039120_Eng
PART NO: CB4KNW-274842		DRAWING NO: 1305039120	REV.: -	SCALE: 3:64	DATE: 2016-12-16
					SHEET: 1 / 2



SECTION D-D

Electron METAL PROUDLY MANUFACTURED IN CANADA.

PROPRIETARY AND CONFIDENTIAL
 THE INFORMATION CONTAINED IN THIS DRAWING IS THE SOLE PROPERTY OF ELECTRON METAL A.I.G. INC. ANY REPRODUCTION IN PART OR AS A WHOLE WITHOUT THE WRITTEN PERMISSION OF A.I.G. ELECTRON METAL INC IS PROHIBITED.

DRAWN BY: E.D.	Title: SERIES 4000 48RU (27 x 84) x 42 NET CFG 30 x 90 x 42				
	CHECKED BY: E.D.				
PROJECT: G:\SWDwgs\Cabinets\Ser4000\EnsemblesReseau\			FILE: KitNet27x84x42_1305039120_Eng		
PART NO: CB4KNW-274842		DRAWING NO: 1305039120	REV.: -	SCALE: 1:16	DATE: 2016-12-16
					SHEET: 2 / 2