

NO.	NOTE	DESCRIPTION	QTY
1	1305033558	FRAME 30 x 90 x 36 SERIES 4000	1
2	1305021152	VERTICAL CABLE MGT 3.25 x (84) x 5	2
3	1305039134 - (84)	MOUNTING RAIL CAGE-NUT 5.25" FOR BRUSH	4
4	2472-002	UAC / VCM 48RU 1 x (84) x 6	1
5	1305039067 - (27)	TOP COVER 4 FAN CUT-OUTS 6"	1
6	1305038320	TOP FRONT COVER PLATE	2
7	1305027783	6" FAN CUTOUT COVER PLATE	4
8	1305028647	PERFORATED DOOR (27 x 84)	1
9	1305029007	PERFORATED SPLIT DOOR RH (27 x 84)	1
10	1305027239	PERFORATED SPLIT DOOR LH (27 x 84)	1
11	1305028796	SIDE PANEL (84) x 36 LOCKS	2
12	OHIO NUT & BOLT FH 4440	LEVELLER, STEEL BASE 1/2-13	4

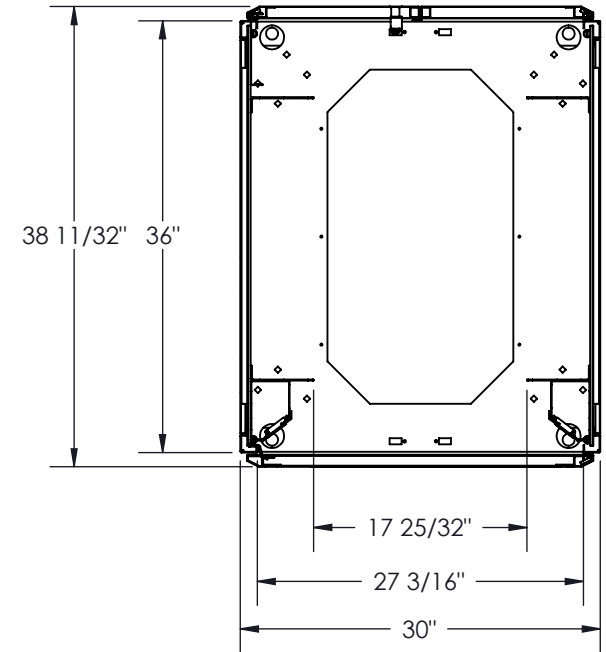
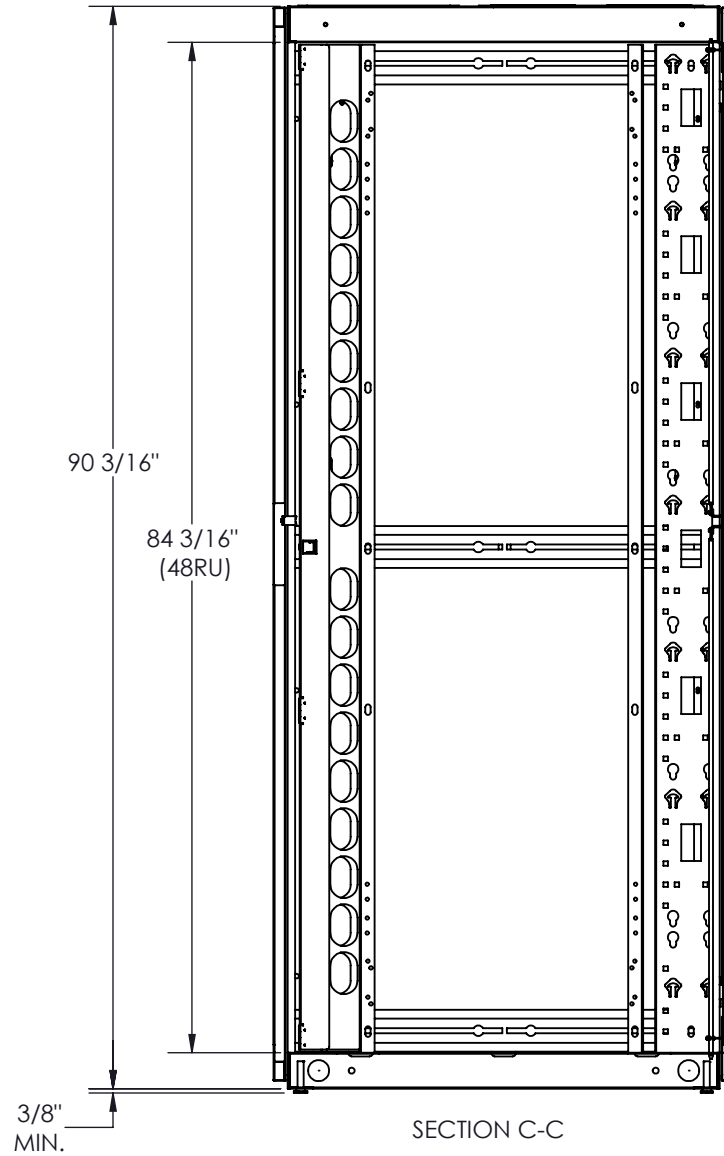
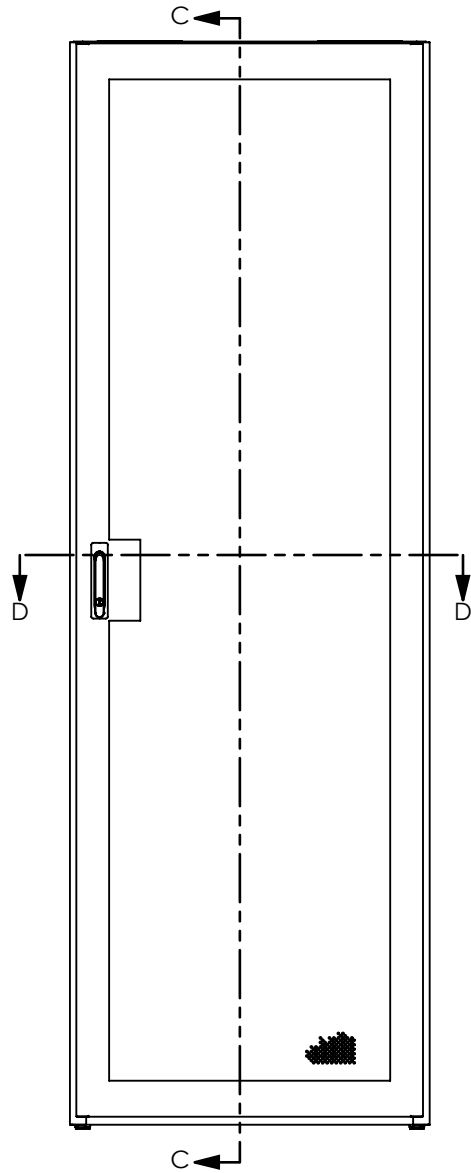
NOTES:

- 1 - MOUNTING RAIL TO HAVE RU MARKINGS.
- 2 - APPROXIMATE WEIGHT: 369 LB.
- 3 - CAPACITY: 3000 LB
- 4 - 100 CAGE-NUTS 10-32 SHIPPED LOOSE.
- 5 - 100 TRUSS HEAD SCREW 10-32 x 1/2 SHIPPED LOOSE.
- 6 - FINISH: TEXTURED POWDER COAT
- 7 - CERTIFIED TO CSA STANDARD C22.2 NO. 70950-1



**PROPRIETARY AND CONFIDENTIAL**  
 THE INFORMATION CONTAINED IN THIS DRAWING IS THE SOLE PROPERTY OF ELECTRON METAL A.I.G. INC. ANY REPRODUCTION IN PART OR AS A WHOLE WITHOUT THE WRITTEN PERMISSION OF A.I.G. ELECTRON METAL INC IS PROHIBITED.

DRAWN BY: E.D.	Title: SERIES 4000 48RU (27 x 84) x 36 NET CFG 30 x 90 x 36				
CHECKED BY: E.D.					
PROJECT: G:\SWDwgs\Cabinets\Ser4000\EnsemblesReseau\	FILE: KitNet27x84x36_2198-001_Eng				
PART NO: CB4KNW-274836	DRAWING NO: 2198-001	REV.: -	SCALE: 3:64	DATE: 2018-02-08	SHEET: 1 / 2



SECTION D-D

**Electron METAL** PROUDLY MANUFACTURED IN CANADA.

**PROPRIETARY AND CONFIDENTIAL**  
 THE INFORMATION CONTAINED IN THIS DRAWING IS THE SOLE PROPERTY OF ELECTRON METAL A.I.G. INC. ANY REPRODUCTION IN PART OR AS A WHOLE WITHOUT THE WRITTEN PERMISSION OF A.I.G. ELECTRON METAL INC IS PROHIBITED.

DRAWN BY: E.D.	Title: SERIES 4000 48RU (27 x 84) x 36 NET CFG 30 x 90 x 36				
CHECKED BY: E.D.	PROJECT: G:\SWDwgs\Cabinets\Ser4000\EnsemblesReseau\				FILE: KitNet27x84x36_2198-001_Eng
PART NO.: CB4KNW-274836	DRAWING NO.: 2198-001	REV.: -	SCALE: 1:16	DATE: 2018-02-08	SHEET: 2 / 2