

NO.	NOTE	DescriptionEng	QTE
1	1305027468	FRAME 30" x 83" x 48"	1
2	1305026153	FRONT DOOR PERF. HEX. (27 x 77)	1
3	1305026521	DBL REAR DOOR PERF. HEX. RH (27 x 77)	1
4	1305026522	DBL REAR DOOR PERF. HEX. LH (27 x 77)	1
5	1305039134 - (77)	MOUNTING RAIL CAGE-NUT 5.25" FOR BRUSH	4
6	1725-001	VERTICAL CABLE MGT / U.A.C. 44RU - 6 x (77)	1
7	1305021980	VERTICAL CABLE MGT 3.25 x (77) x 5	2
8	1305027783	6" FAN CUTOUT COVER PLATE	4
9	1305038320	TOP FRONT COVER PLATE	2
10	1305039067 - (27)	TOP COVER 4 FAN CUT-OUTS 6"	1
11	2368-004	SPLIT SIDE PANEL (77) x 48 LOCKS	2
12	OHIO NUT & BOLT FH 4440	LEVELLER, STEEL BASE 1/2-13	4

NOTES:

- 1 - MOUNTING RAIL TO HAVE RU MARKINGS.
- 2 - APPROXIMATE WEIGHT: 377 LBS.
- 3 - CAPACITY: 3000 LBS
- 4 - 100 CAGE-NUTS 10-32 SHIPPED LOOSE.
- 5 - 100 TRUSS HEAD SCREW 10-32 x 1/2 SHIPPED LOOSE.
- 6 - FINISH: TEXTURED POWDER COAT
- 7 - CERTIFIED TO CSA STANDARD C22.2 NO. 70950-1

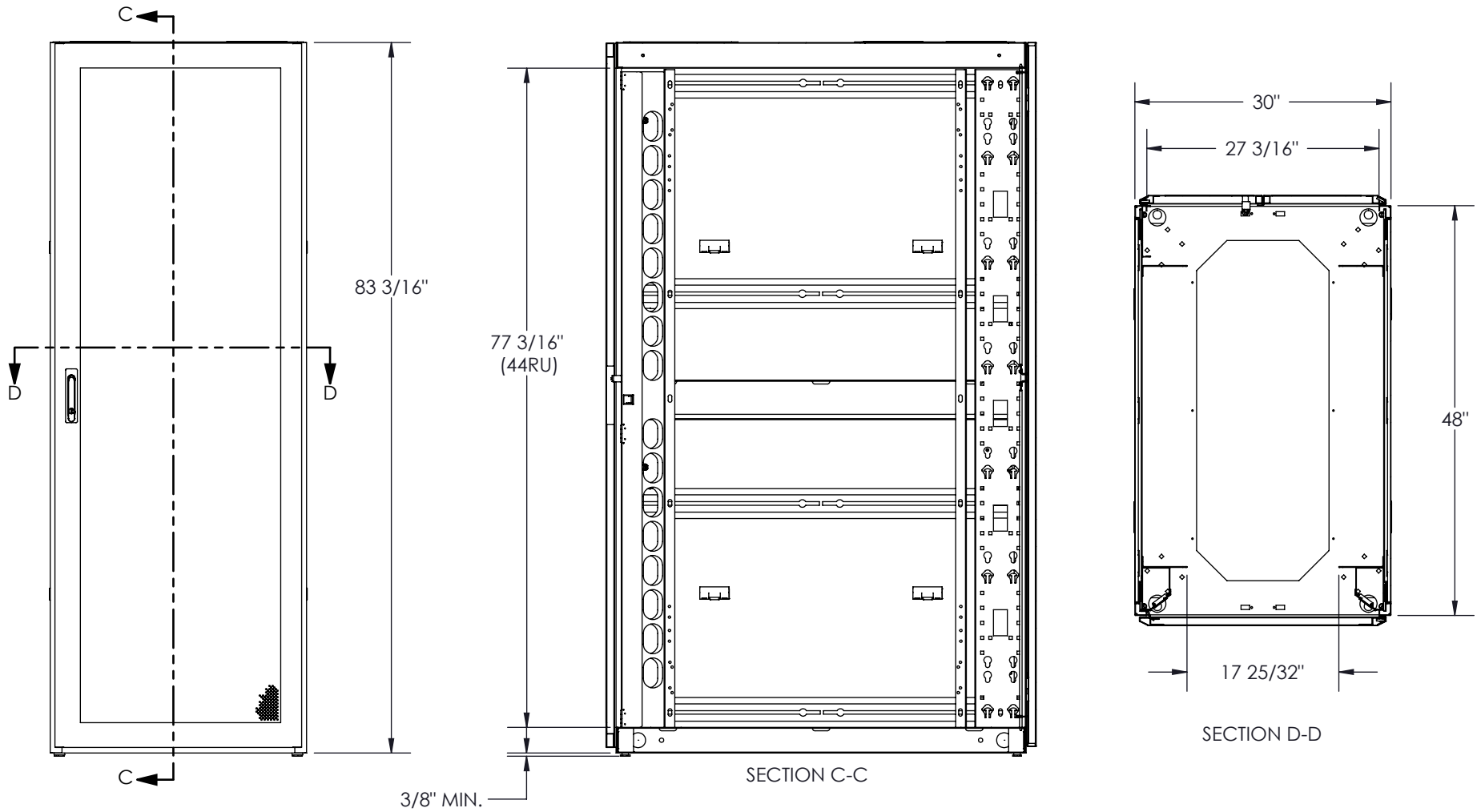
REV	DESCRIPTION	DATE	APP.
B	SPLIT SIDE PANEL WAS SINGLE	2019-02-27	E.D.
A	REPLACED COVERS AND RAILS (TO ACCOMODATE BRUSHES). MOVED FAN HOLES, ADDED NOTES	1/23/2017	DR
REVISIONS			



**PROPRIETARY AND CONFIDENTIAL**  
 THE INFORMATION CONTAINED IN THIS DRAWING IS THE SOLE PROPERTY OF A.I.G. ELECTRON METAL INC. ANY REPRODUCTION IN PART OR AS A WHOLE WITHOUT THE WRITTEN PERMISSION OF A.I.G. ELECTRON METAL INC IS PROHIBITED.

APPROVED BY:  
E.D.

DRAWN BY: S.D.	Title: <b>SERIES 4000 NETWORK CFG 44RU (27 x 77) x 48</b> 30 x 83 x 48				
CHECKED BY: E.D.					
PROJECT: G:\SWDwgs\Cabinets\Ser4000\EnsemblesReseau\	FILE: KitNet27x77x48_1305027467_Eng				
PART NO: CB4KNW-274448-BK	DRAWING NO: 1305027467	REV.: B	SCALE: 1:26	DATE: 2009-12-07	SHEET: 1 / 2



**electron** PROUDLY MANUFACTURED IN CANADA.  
**METAL**

**PROPRIETARY AND CONFIDENTIAL**  
 THE INFORMATION CONTAINED IN THIS DRAWING IS THE SOLE PROPERTY OF A.I.G. ELECTRON METAL INC. ANY REPRODUCTION IN PART OR AS A WHOLE WITHOUT THE WRITTEN PERMISSION OF A.I.G. ELECTRON METAL INC IS PROHIBITED.

APPROVED BY:  
 E.D.

DRAWN BY:  
 S.D.

CHECKED BY:  
 E.D.

PROJECT:  
 G:\SWDwgs\Cabinets\Ser4000\EnsemblesReseau\

PART NO.:  
 CB4KNW-274448-BK

Title:

SERIES 4000 NETWORK CFG 44RU (27 x 77) x 48  
 30 x 83 x 48

FILE:  
 KitNet27x77x48\_1305027467\_Eng

DRAWING NO.:  
 1305027467

REV.:  
 B

SCALE:  
 1:18

DATE:  
 2009-12-07

SHEET:  
 2 / 2