

NO.	NOTE	DESCRIPTION	QTY
1	1305029055	FRAME 44RU 30 x 83 x 42 SERIES 4000	1
2	1305021980	VERTICAL CABLE MGT 3.25 x (77) x 5	2
3	1725-001	VERTICAL CABLE MGT / U.A.C. 44RU - 6 x (77)	1
4	2284-001 - (77)	ROBUST MOUNTING RAIL CAGE-NUT 5.25" FOR BRUSH	4
5	1305039067 - (27)	TOP COVER 4 FAN CUT-OUTS 6"	1
6	1305027783	6" FAN CUTOUT COVER PLATE	4
7	1305038320	TOP FRONT COVER PLATE	2
8	1305026153	PERFORATED DOOR 44RU (27 x 77)	1
9	1305026521	SPLIT DOOR PERFORATED RH (27 x 77)	1
10	1305026522	SPLIT DOOR PERFORATED LH (27 x 77)	1
11	1305026167	SIDE PANEL (77) x 42 WITH LOCKS	2
12	OHIO NUT & BOLT FH 4440	LEVELLER, STEEL BASE 1/2-13	4

NOTES:

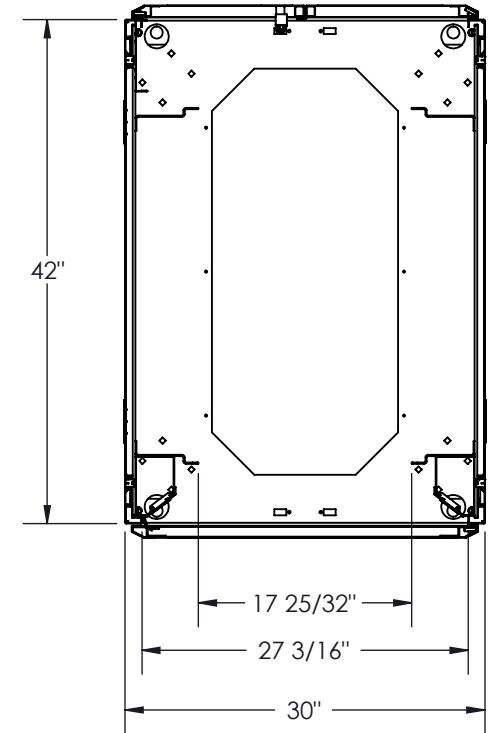
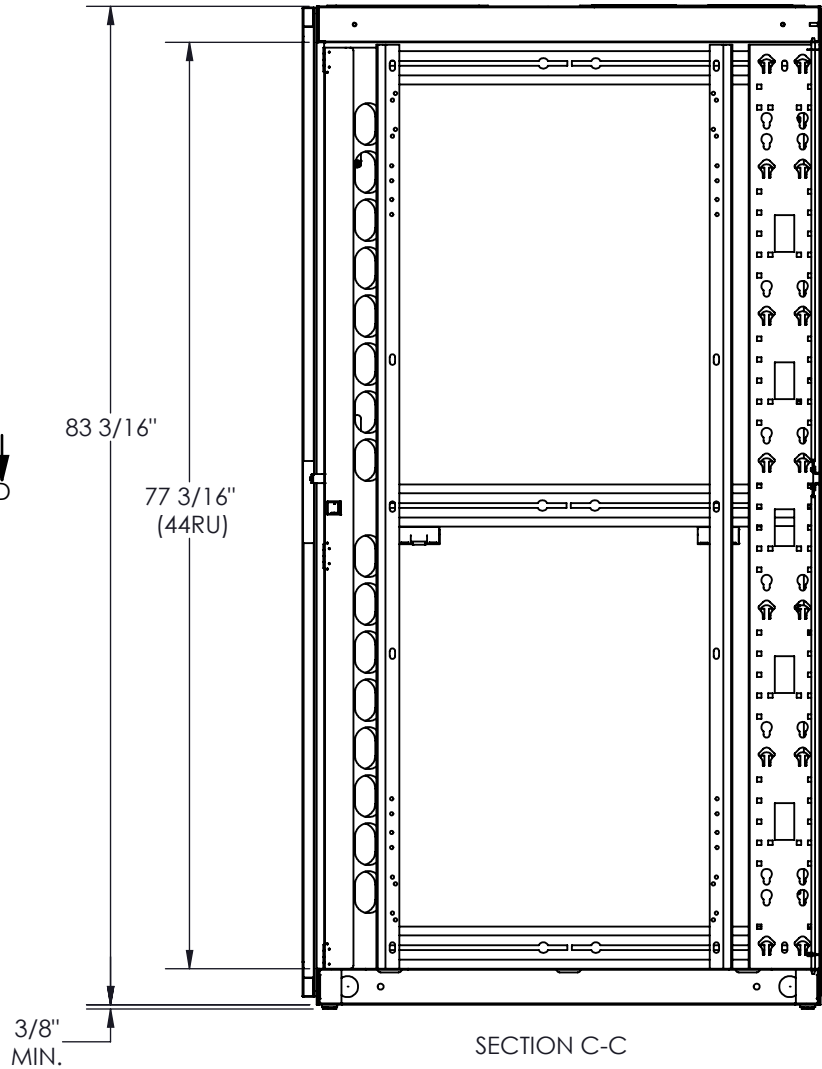
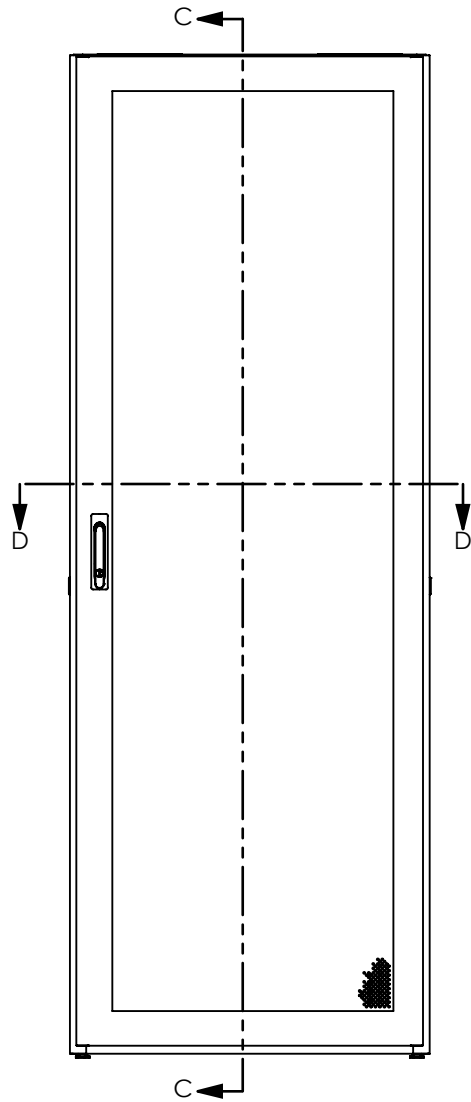
- 1 - MOUNTING RAIL TO HAVE RU MARKINGS.
- 2 - APPROXIMATE WEIGH: 376 LBS.
- 3 - CAPACITY: 3000 LBS
- 4 - 100 CAGE-NUTS 10-32 SHIPPED LOOSE.
- 5 - 100 TRUSS HEAD SCREW 10-32 x 1/2 SHIPPED LOOSE.
- 6 - FINISH: TEXTURED POWDER COAT
- 7 - CERTIFIED TO CSA STANDARD C22.2 NO. 70950-1



PROPRIETARY AND CONFIDENTIAL
 THE INFORMATION CONTAINED IN THIS DRAWING IS THE SOLE PROPERTY OF A.I.G. ELECTRON METAL INC. ANY REPRODUCTION IN PART OR AS A WHOLE WITHOUT THE WRITTEN PERMISSION OF A.I.G. ELECTRON METAL INC IS PROHIBITED.

APPROVED BY:
 T.M.

DRAWN BY: S.D.	Title: SERIES 4000 44RU (27 x 77) x 42 NET CFG				
CHECKED BY: E.D.					
PROJECT: G:\SWDwgs\Cabinets\Ser4000\EnsemblesReseau\	FILE: KitNet27x77x42_1305027466_Eng				
PART NO: CB4KNW-274442	DRAWING NO: 1305027466	REV.: C	SCALE: 1:26	DATE: 2009-12-07	SHEET: 1 / 2



SECTION D-D

SECTION C-C

electron METAL PROUDLY MANUFACTURED IN CANADA.

PROPRIETARY AND CONFIDENTIAL
 THE INFORMATION CONTAINED IN THIS DRAWING IS THE SOLE PROPERTY OF A.I.G. ELECTRON METAL INC. ANY REPRODUCTION IN PART OR AS A WHOLE WITHOUT THE WRITTEN PERMISSION OF A.I.G. ELECTRON METAL INC IS PROHIBITED.

APPROVED BY:
 T.M.

DRAWN BY:
 S.D.

CHECKED BY:
 E.D.

PROJECT:
 G:\SWDwgs\Cabinets\Ser4000\EnsemblesReseau\

PART NO.:
 CB4KNW-274442

Title:

SERIES 4000 44RU (27 x 77) x 42 NET CFG
 30 x 83 x 42

DRAWING NO.:
 1305027466

FILE:
 KitNet27x77x42_1305027466_Eng

REV.:
 C

SCALE:
 1:16

DATE:
 2009-12-07

SHEET:
 2 / 2