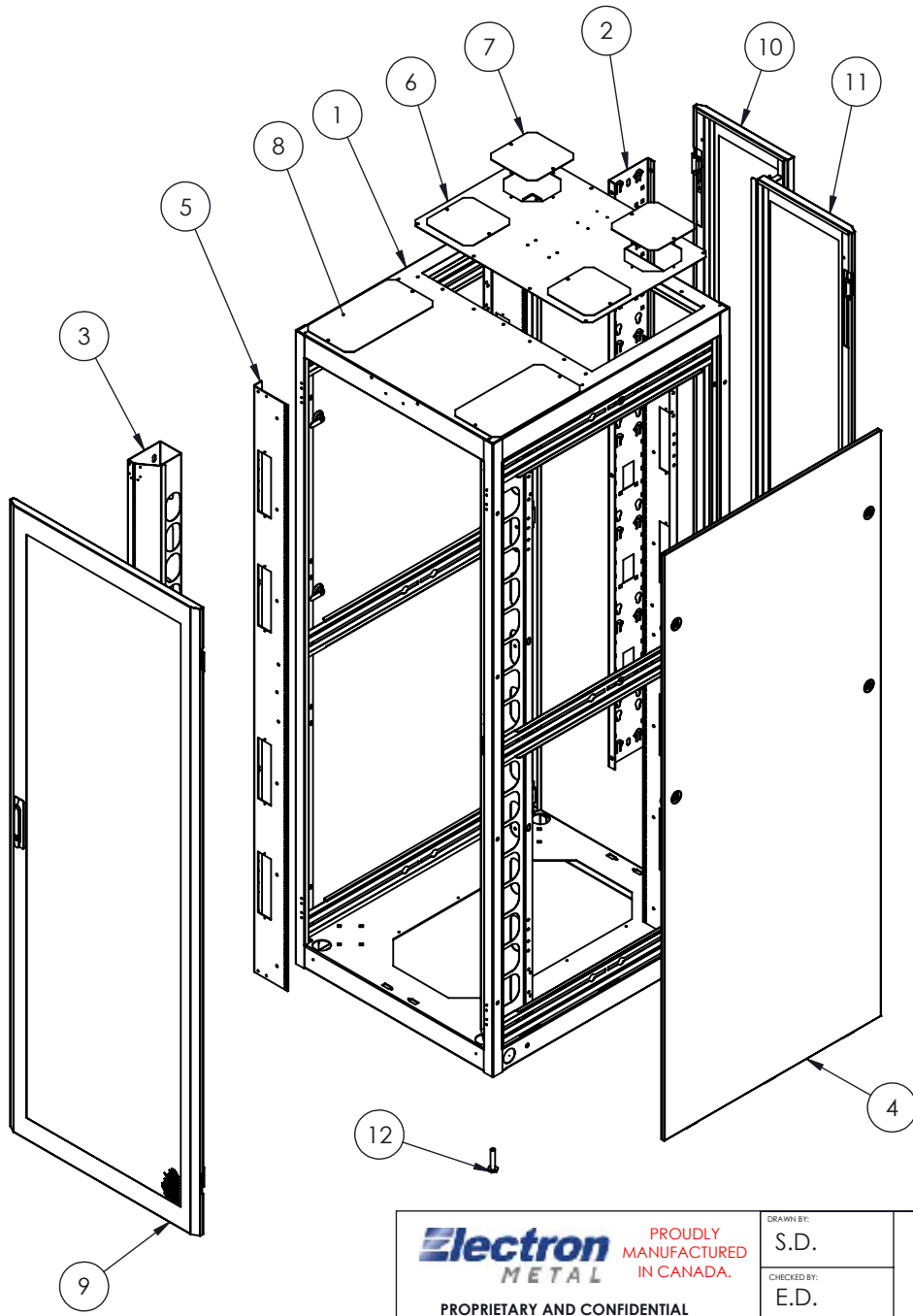


NO.	NOTE	DESCRIPTION	QTY
1	1305026520	FRAME 30 X 83 X 36	1
2	1725-001	VERTICAL CABLE MGT / U.A.C. 44RU - 6 x (77)	1
3	1305021980	VERTICAL CABLE MGT 3.25 x (77) x 5	2
4	1305025239	SIDE PANEL (77) X 36 WITH LOCKS	2
5	1305039134 - (77)	MOUNTING RAIL CAGE-NUT 5.25" FOR BRUSH	4
6	1305039067 - (27)	TOP COVER 4 FAN CUT-OUTS 6"	1
7	1305027783	6" FAN CUTOUT COVER PLATE	4
8	1305038320	TOP FRONT COVER PLATE	2
9	1305026153	PERFORATED DOOR 44RU (27 x 77)	1
10	1305026521	SPLIT DOOR PERFORATED RH (27 x 77)	1
11	1305026522	SPLIT DOOR PERFORATED LH (27 x 77)	1
12	OHIO NUT & BOLT FH 4440	LEVELLER, STEEL BASE 1/2-13	4



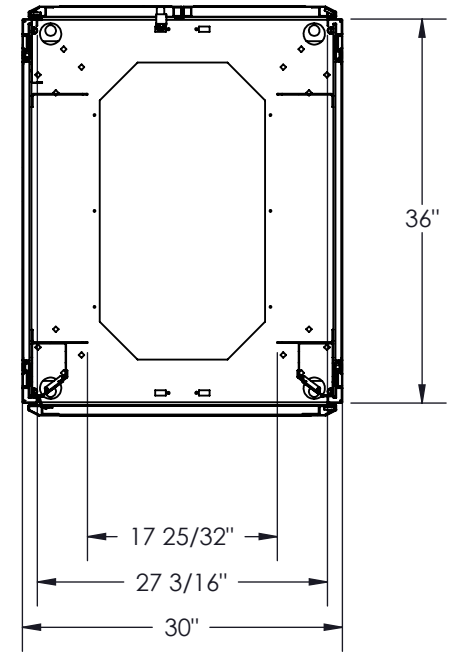
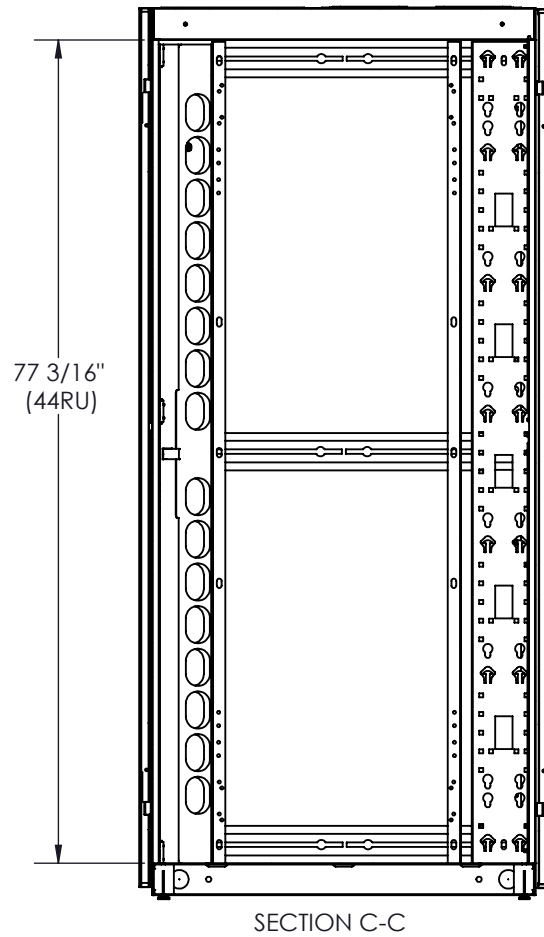
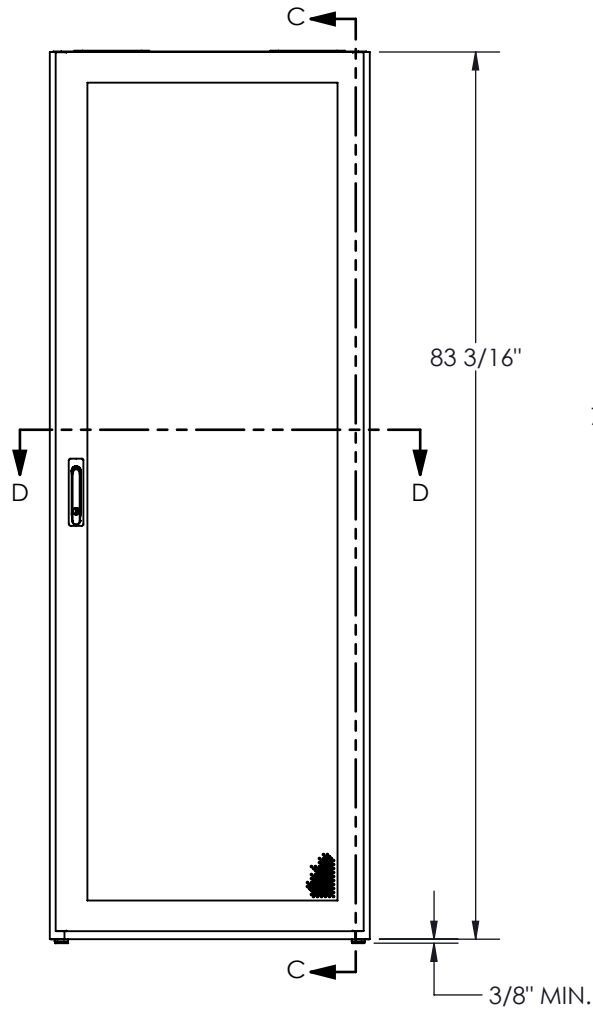
NOTES:

- 1 - MOUNTING RAIL TO HAVE RU MARKINGS.
- 2 - APPROXIMATE WEIGHT: 354 LBS.
- 3 - CAPACITY: 3000 LBS
- 4 - 100 CAGE-NUTS 10-32 SHIPPED LOOSE.
- 5 - 100 TRUSS HEAD SCREW 10-32 x 1/2 SHIPPED LOOSE.
- 6 - FINISH: TEXTURED POWDER COAT
- 7 - CERTIFIED TO CSA STANDARD C22.2 NO. 70950-1



PROPRIETARY AND CONFIDENTIAL
 THE INFORMATION CONTAINED IN THIS DRAWING IS THE SOLE PROPERTY OF A.I.G. ELECTRON METAL INC. ANY REPRODUCTION IN PART OR AS A WHOLE WITHOUT THE WRITTEN PERMISSION OF A.I.G. ELECTRON METAL INC IS PROHIBITED.

DRAWN BY: S.D.	Title: SERIES 4000 44RU (27 x 77) x 36 NET CFG 30 x 83 x 36				
CHECKED BY: E.D.	PROJECT: G:\SWDwgs\Cabinets\Ser4000\EnsemblesReseau\			FILE: KitNet27x77x36_1305027019_Eng	
PART NO: CB4KNW-274436	DRAWING NO: 1305027019	REV.: C	SCALE: 1:20	DATE: 2009-08-10	SHEET: 1 / 2



SECTION D-D

Electron METAL PROUDLY MANUFACTURED IN CANADA.

PROPRIETARY AND CONFIDENTIAL
THE INFORMATION CONTAINED IN THIS DRAWING IS THE SOLE PROPERTY OF A.I.G. ELECTRON METAL INC. ANY REPRODUCTION IN PART OR AS A WHOLE WITHOUT THE WRITTEN PERMISSION OF A.I.G. ELECTRON METAL INC IS PROHIBITED.

DRAWN BY: S.D.	Title: SERIES 4000 44RU (27 x 77) x 36 NET CFG 30 x 83 x 36				
CHECKED BY: E.D.					
PROJECT: G:\SWDwgs\Cabinets\Ser4000\EnsemblesReseau\	FILE: KitNet27x77x36_1305027019_Eng				
PART NO: CB4KNW-274436	DRAWING NO: 1305027019	REV.: C	SCALE: 1:18	DATE: 2009-08-10	SHEET: 2 / 2