

NO.	NOTE	DESCRIPTION	QTY
1	1305025833	CABLE MGT 3.25 x (73.5) x 5	2
2	2413-001	VERTICAL CABLE MGT / U.A.C. (73.5) x 6	1
3	1305039134 - (73.5)	MOUNTING RAIL CAGE-NUT 5.25" FOR BRUSH	4
4	1305039067 - (27)	TOP COVER 4 FAN CUT-OUTS 6"	1
5	1305029260	FRAME 30 x 79.5 x 42 SERIES 4000	1
6	1305027783	6" FAN CUTOUT COVER PLATE	4
7	1305038320	TOP FRONT COVER PLATE	2
8	1305029263	PERFORATED DOOR (27 x 73.5)	1
9	1305027813	SPLIT DOOR PERF. (27 x 73.5) L.H.	1
10	1305027812	SPLIT DOOR PERF. (27 x 73.5) R.H.	1
11	1305029249	SIDE PANEL (73.5) x 42 LOCKS	2
12	OHIO NUT & BOLT FH 4440	LEVELLER, STEEL BASE 1/2-13	4

NOTES:

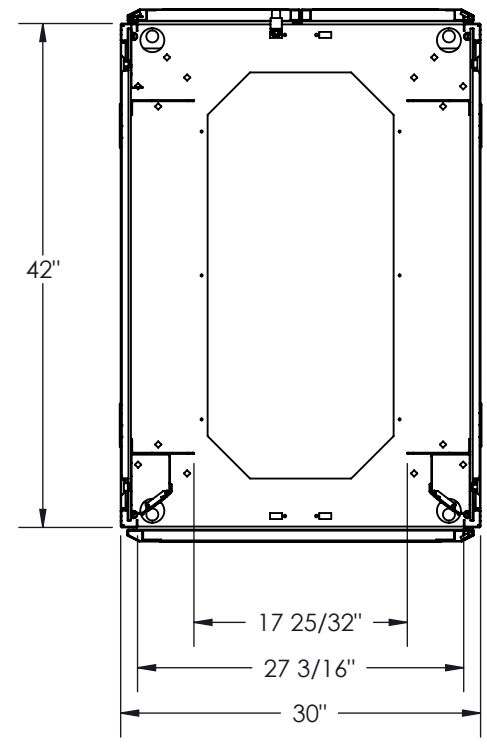
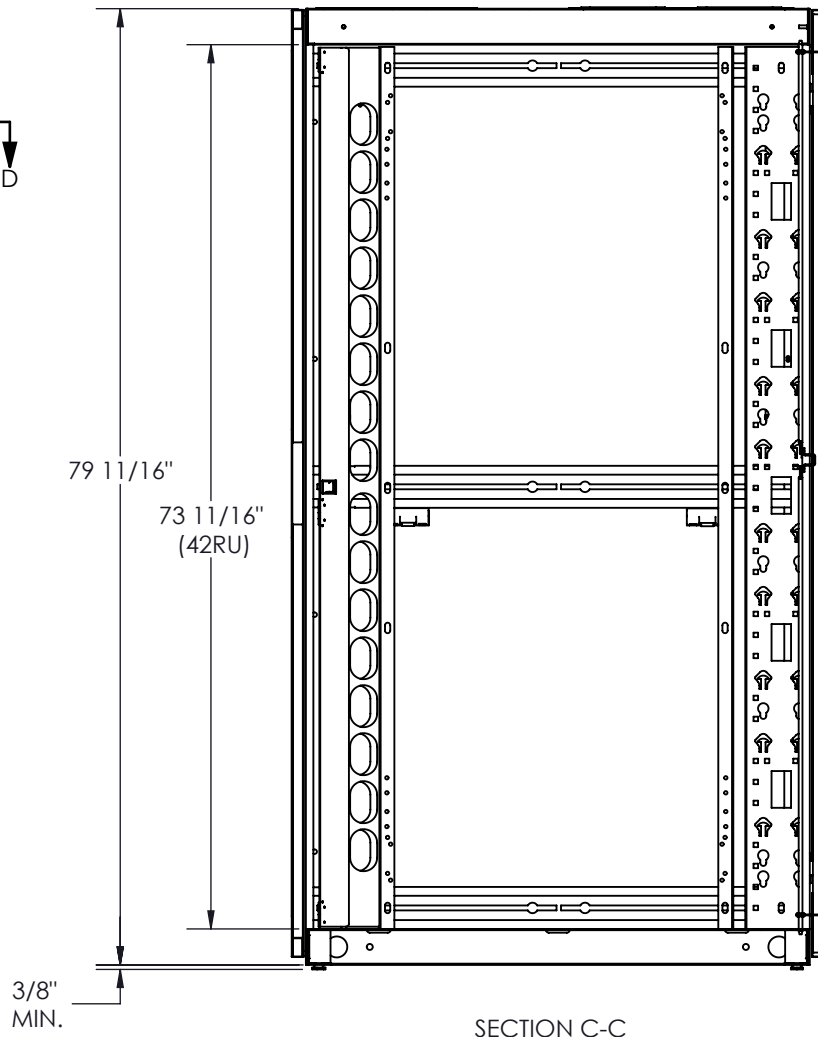
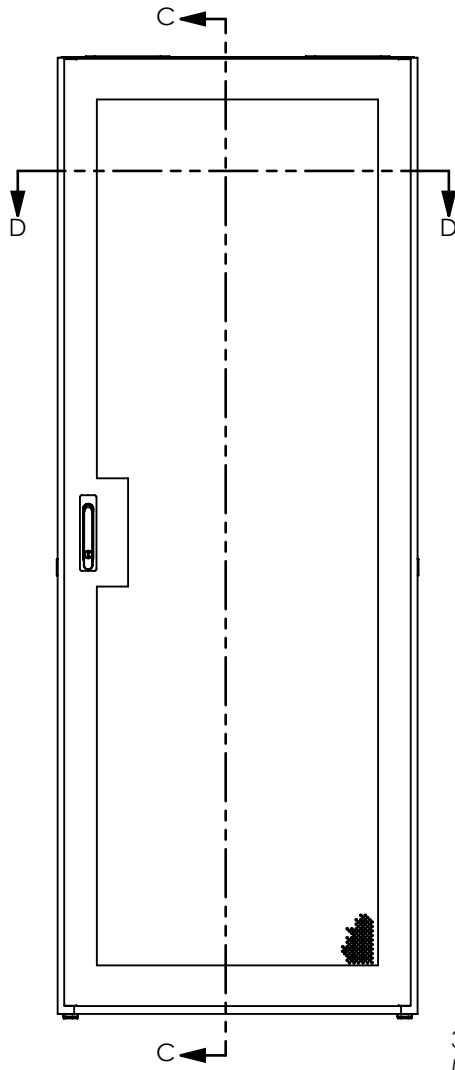
- 1 - MOUNTING RAIL TO HAVE RU MARKINGS.
- 2 - APPROXIMATE WEIGH: 364 LBS.
- 3 - CAPACITY: 3000 LBS
- 4 - 100 CAGE-NUTS 10-32 SHIPPED LOOSE.
- 5 - 100 TRUSS HEAD SCREW 10-32 x 1/2 SHIPPED LOOSE.
- 6 - FINISH: TEXTURED POWDER COAT
- 7 - CERTIFIED TO CSA STANDARD C22.2 NO. 70950-1

REV.	DESCRIPTION	DATE	APPR.
A	2ND GENERATION	2016-12-22	E.D.
REVISIONS			



PROPRIETARY AND CONFIDENTIAL
 THE INFORMATION CONTAINED IN THIS DRAWING IS THE SOLE PROPERTY OF ELECTRON METAL A.I.G. INC. ANY REPRODUCTION IN PART OR AS A WHOLE WITHOUT THE WRITTEN PERMISSION OF A.I.G. ELECTRON METAL INC IS PROHIBITED.

DRAWN BY: T.M.	Title: SERIES 4000 42RU (27 x 73.5) x 42 NET CFG 30 x 79.5 x 42		
CHECKED BY: T.M.	PROJECT: G:\SWDwgs\Cabinets\Ser4000\EnsemblesReseau\	FILE: KitNet27x73x42_1305030680	
APPROVED BY:	PART NO: CB4KNW-274242	DRAWING NO: 1305030680	REV.: A
		SCALE: 3:64	DATE: 2012-01-11
			SHEET: 1 / 2



SECTION D-D

SECTION C-C

Electron METAL PROUDLY MANUFACTURED IN CANADA.

PROPRIETARY AND CONFIDENTIAL
 THE INFORMATION CONTAINED IN THIS DRAWING IS THE SOLE PROPERTY OF ELECTRON METAL A.I.G. INC. ANY REPRODUCTION IN PART OR AS A WHOLE WITHOUT THE WRITTEN PERMISSION OF A.I.G. ELECTRON METAL INC IS PROHIBITED.

APPROVED BY:
 5

DRAWN BY:
 T.M.
 CHECKED BY:
 T.M.

Title:
 SERIES 4000 42RU (27 x 73.5) x 42 NET CFG
 30 x 79.5 x 42

PROJECT:
 G:\SWDwgs\Cabinets\Ser4000\EnsemblesReseau\
 PART NO:
 CB4KNW-274242

DRAWING NO.:
 1305030680

FILE:
 KitNet27x73x42_1305030680
 REV.: A SCALE: 1:16 DATE: 2012-01-11 SHEET: 2 / 2