
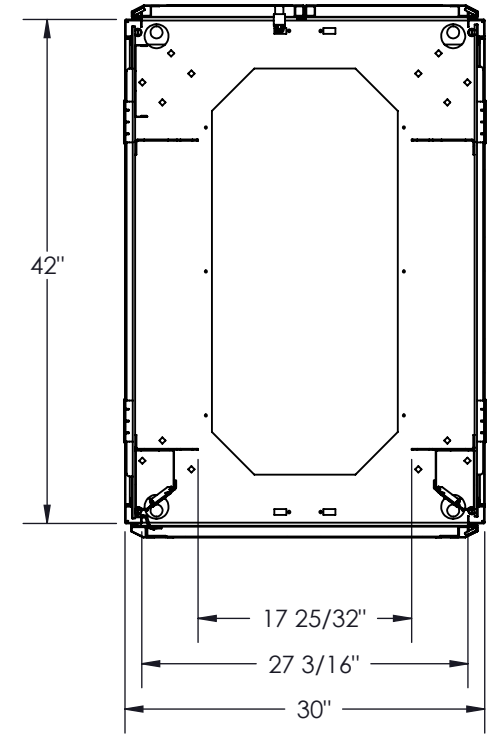
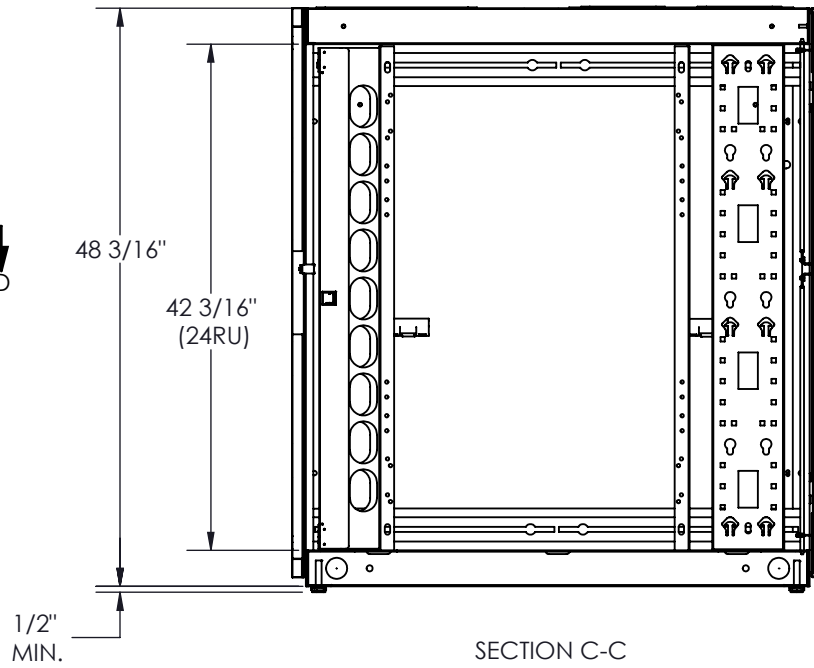
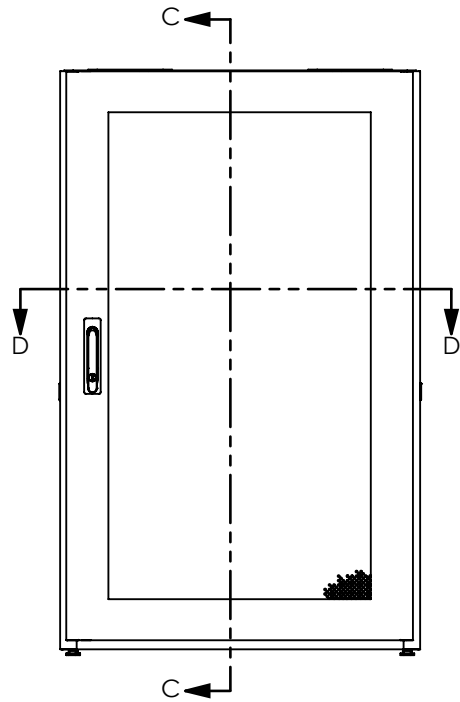



NO.	NOTE	DESCRIPTION	QTY
1	1305030120	FRAME 30 x 48 x 42 SERIES 4000	1
2	1305022704	VERTICAL CABLE MGT 3.25 x (24) x 5	2
3	2472-022	U.A.C. / V.C.M. 24RU 1 x (42) x 6	1
4	1305039134 - (42)	MOUNTING RAIL CAGE-NUT 5.25" FOR BRUSH	4
5	1305039067 - (27)	TOP COVER 4 FAN CUT-OUTS 6"	1
6	1305027783	6" FAN CUTOUT COVER PLATE	4
7	1305038320	TOP FRONT COVER PLATE	2
8	1305028741	PERFORATED DOOR (27 x 42)	1
9	1305028742	SPLIT DOOR PERFORATED LH (27 x 42)	1
10	1305028743	SPLIT DOOR PERFORATED RH (27 x 42)	1
11	1305028697	SIDE PANEL (42) x 42 WITH LOCKS	2
12	OHIO NUT & BOLT FH 4440	LEVELLER, STEEL BASE 1/2-13	4

NOTES:

- 1 - MOUNTING RAIL TO HAVE RU MARKINGS.
- 2 - APPROXIMATE WEIGHT: 246 LB.
- 3 - CAPACITY: 3000 LB
- 4 - 50 CAGE-NUTS 10-32 SHIPPED LOOSE.
- 5 - 50 TRUSS HEAD SCREW 10-32 x 1/2 SHIPPED LOOSE.
- 6 - FINISH: TEXTURED POWDER COAT
- 7 - CERTIFIED TO CSA STANDARD C22.2 NO. 70950-1

 <p><b>PROUDLY MANUFACTURED IN CANADA.</b></p> <p><b>PROPRIETARY AND CONFIDENTIAL</b> THE INFORMATION CONTAINED IN THIS DRAWING IS THE SOLE PROPERTY OF A.I.G. ELECTRON METAL INC. ANY REPRODUCTION IN PART OR AS A WHOLE WITHOUT THE WRITTEN PERMISSION OF A.I.G. ELECTRON METAL INC IS PROHIBITED.</p>	DRAWN BY: E.D.	Title: <b>SERIES 4000 24RU (27 x 42) x 42 NET CFG</b> 30 x 48 x 42				
	CHECKED BY: E.D.	PROJECT: G:\SWDwgs\Cabinets\Ser4000\EnsemblesReseau\		FILE: KitNet27x42x42_2196-001_Eng		
	PART NO.: <b>CB4KNW-272442</b>	DRAWING NO.: 2196-001	REV.: -	SCALE: 3:64	DATE: 2018-02-18	SHEET: 1 / 2



 <p>PROUDLY MANUFACTURED IN CANADA.</p> <p><b>PROPRIETARY AND CONFIDENTIAL</b> THE INFORMATION CONTAINED IN THIS DRAWING IS THE SOLE PROPERTY OF A.I.G. ELECTRON METAL INC. ANY REPRODUCTION IN PART OR AS A WHOLE WITHOUT THE WRITTEN PERMISSION OF A.I.G. ELECTRON METAL INC IS PROHIBITED.</p>	DRAWN BY: E.D.	Title: SERIES 4000 24RU (27 x 42) x 42 NET CFG 30 x 48 x 42				
	CHECKED BY: E.D.	PROJECT: G:\SWDwgs\Cabinets\Ser4000\EnsemblesReseau\		FILE: KitNet27x42x42_2196-001_Eng		
	PART NO.: CB4KNW-272442	DRAWING NO.: 2196-001	REV.: -	SCALE: 1:16	DATE: 2018-02-18	SHEET: 2 / 2