

NO.	DWG/SUPPLIER	CFG/SUPPLIER NO.	DESCRIPTION	QTY
1	1305026520	Default	FRAME 30 X 83 X 36	1
2	2284-001	(77")	ROBUST MOUNTING RAIL CAGE-NUT 5.25" FOR BRUSH	4
3	2151-001	Default	HIGH DENSITY RAIL CABLE MGT 44RU (77)	2
4	1725-001	Default	VERTICAL CABLE MGT / U.A.C. 44RU - 6 x (77)	1
5	1305039067	(27)	TOP COVER 4 FAN CUT-OUTS 6"	1
6	1305038320	default	TOP FRONT COVER PLATE	2
7	1305027783	Default	6" FAN CUTOUT COVER PLATE	4
8	1305026153	Default	PERFORATED DOOR 44RU (27 x 77)	1
9	1305026522	Default	SPLIT DOOR PERFORATED LH (27 x 77)	1
10	1305026521	Default	SPLIT DOOR PERFORATED RH (27 x 77)	1
11	1305025239	Default	SIDE PANEL (77) X 36 WITH LOCKS	2
12	OHIO NUT & BOLT	FH 4440	LEVELLER, STEEL BASE 1/2-13	4

NOTES:

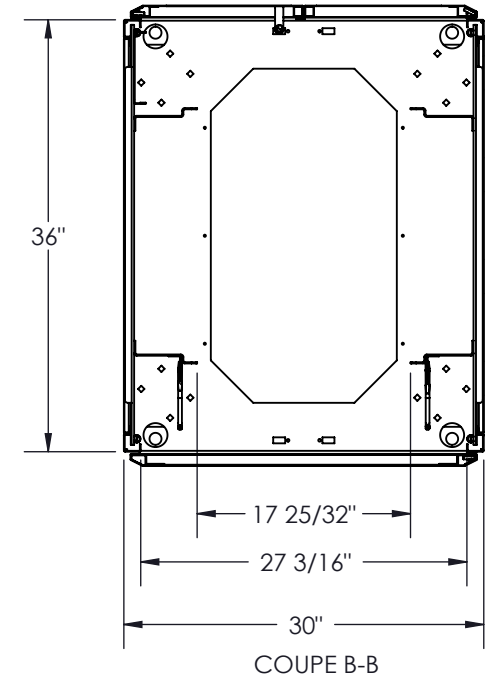
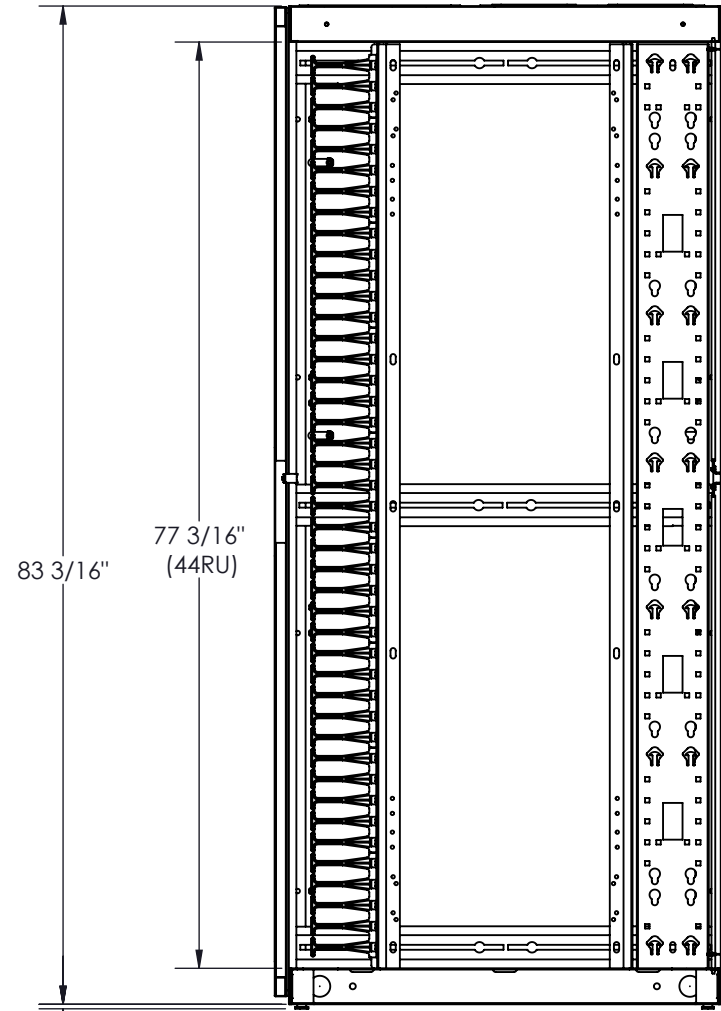
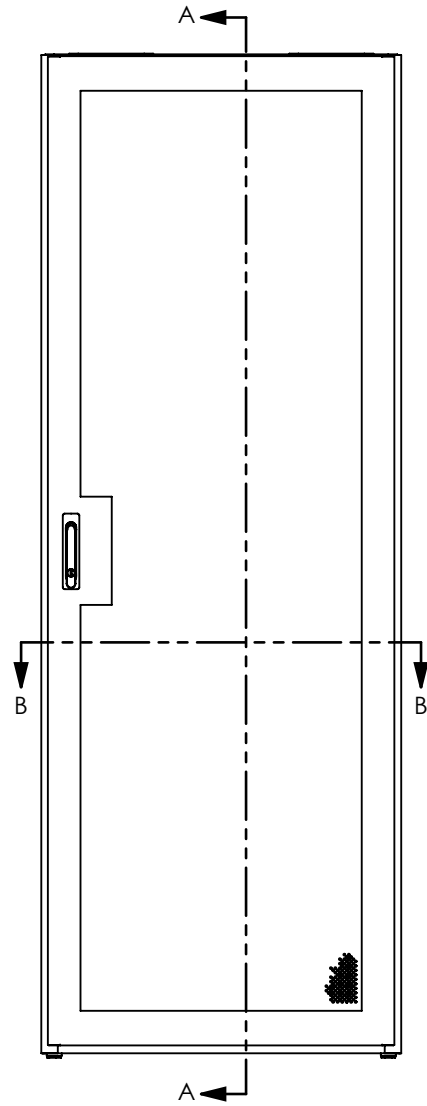
- 1 - MOUNTING RAIL TO HAVE RU MARKINGS.
- 2 - APPROXIMATE WEIGHT: 375 LBS.
- 3 - CAPACITY: 3000 LBS
- 4 - 100 CAGE-NUTS 10-32 SHIPPED LOOSE.
- 5 - 100 TRUSS HEAD SCREW 10-32 x 1/2 SHIPPED LOOSE.
- 6 - CERTIFIED TO CSA STANDARD C22.2 NO. 70950-1
- 7 - FINISH : TEXTURED POWDER COAT

APPROVED BY:  
E.D.

**Electron METAL** PROUDLY MANUFACTURED IN CANADA.

**PROPRIETARY AND CONFIDENTIAL**  
THE INFORMATION CONTAINED IN THIS DRAWING IS THE SOLE PROPERTY OF ELECTRON METAL A.I.G. INC. ANY REPRODUCTION IN PART OR AS A WHOLE WITHOUT THE WRITTEN PERMISSION OF A.I.G. ELECTRON METAL INC IS PROHIBITED.

DRAWN BY: R.B.	Title:  <b>SERIES 4000 44RU (27 x 77) x 36 HD CFG 30 x 83 x 36</b>	PROJECT: G:\SWDwgs\Cabinets\Ser4000\EnsemblesReseauHD\		FILE: KitHD27x77x42_2988-004_Eng	
CHECKED BY: R.B.		PART NO: CB4KNH-274436	DRAWING NO: 2988-003	REV.: -	SCALE: 3:64
				DATE: 2021-05-13	SHEET: 1 / 2



3/8"  
MIN.

COUPE A-A

**Electron** PROUDLY  
METAL MANUFACTURED  
IN CANADA.

**PROPRIETARY AND CONFIDENTIAL**  
THE INFORMATION CONTAINED IN THIS  
DRAWING IS THE SOLE PROPERTY OF  
ELECTRON METAL A.I.G. INC. ANY  
REPRODUCTION IN PART OR AS A WHOLE  
WITHOUT THE WRITTEN PERMISSION OF  
A.I.G. ELECTRON METAL INC IS PROHIBITED.

APPROVED BY:  
E.D.

DRAWN BY:  
R.B.  
CHECKED BY:  
R.B.

Title:

SERIES 4000 44RU (27 x 77) x 36 HD CFG  
30 x 83 x 36

PROJECT:  
G:\SWDwgs\Cabinets\Ser4000\EnsemblesReseauHD\

FILE:  
KitHD27x77x42\_2988-004\_Eng

PART NO:  
CB4KNH-274436

DRAWING NO:  
2988-003

REV.:  
-

SCALE:  
1:16

DATE:  
2021-05-13

SHEET:  
2 / 2