

NO.	DWG/SUPPLIER	CFG/SUPPLIER NO.	DESCRIPTION	QTY
1	1305029260	Default	FRAME 30 x 79.5 x 42 SERIES 4000	1
2	2284-001	(73.5")	ROBUST MOUNTING RAIL CAGE-NUT 5.25" FOR BRUSH	4
3	1832-005	Default	HIGH DENSITY RAIL CABLE MGT (73.5")	2
4	2413-001	Default	VERTICAL CABLE MGT / U.A.C. (73.5) x 6	2
5	1305039067	(27)	TOP COVER 4 FAN CUT-OUTS 6"	1
6	1305038320	default	TOP FRONT COVER PLATE	2
7	1305027783	Default	6" FAN CUTOUT COVER PLATE	4
8	1305029263	Default	PERFORATED DOOR (27 x 73.5)	1
9	1305027813	Default	SPLIT DOOR PERF. (27 x 73.5) L.H.	1
10	1305027812	Default	SPLIT DOOR PERF. (27 x 73.5) R.H.	1
11	1305029249	Default	SIDE PANEL (73.5) x 42 LOCKS	2
12	OHIO NUT & BOLT	FH 4440	LEVELLER, STEEL BASE 1/2-13	4
13	1305024143	Default	CASTER PLATE	4
14	COLSON	135 - 25300	3" PIVOTING CASTER	2
15	COLSON	45 - 25300	3" PIVOTING CASTER	2

NOTES:

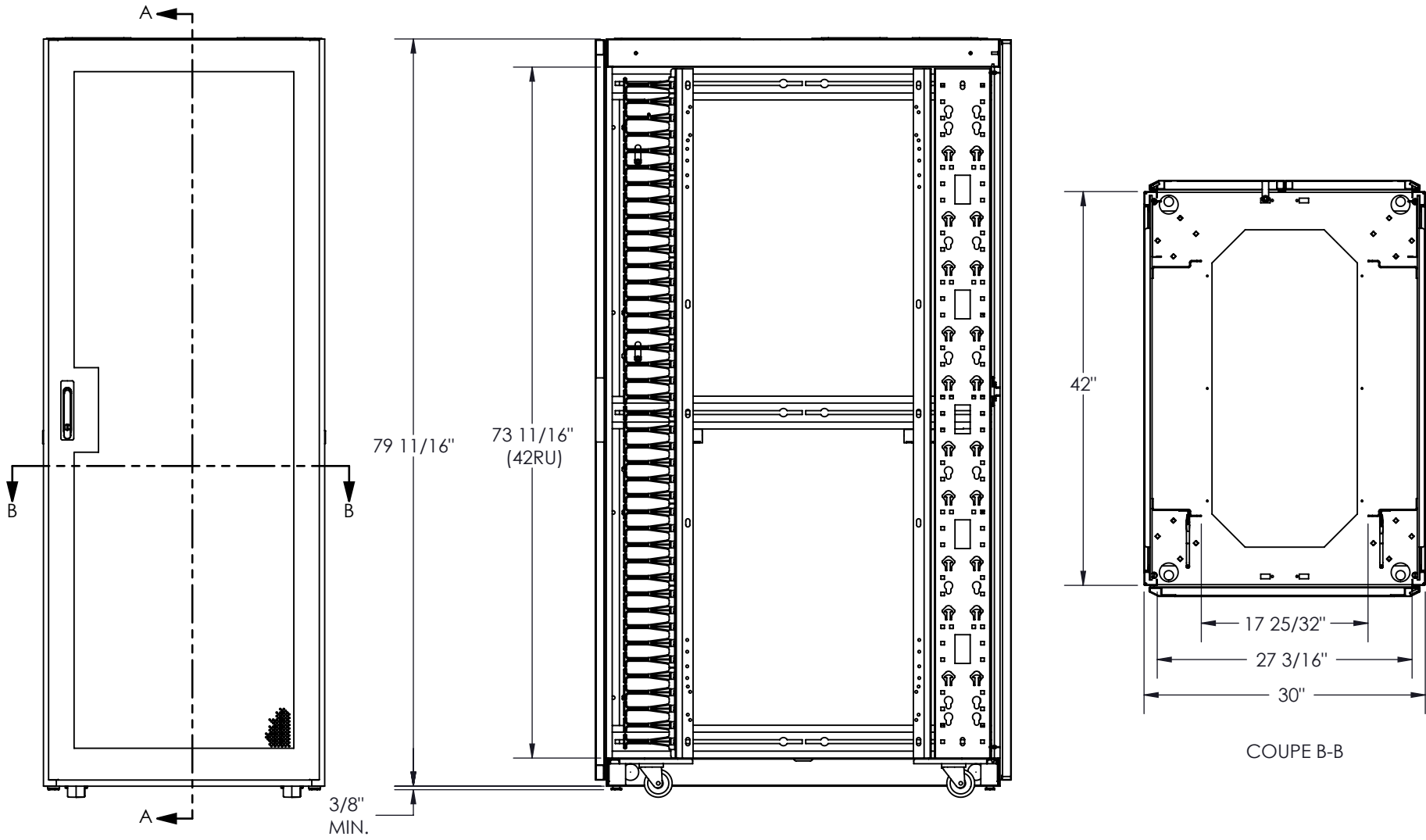
- 1 - MOUNTING RAIL TO HAVE RU MARKINGS.
- 2 - APPROXIMATE WEIGHT: 361 LBS.
- 3 - CAPACITY: 3000 LBS
- 4 - 100 CAGE-NUTS 10-32 SHIPPED LOOSE.
- 5 - 100 TRUSS HEAD SCREW 10-32 x 1/2 SHIPPED LOOSE.
- 6 - CERTIFIED TO CSA STANDARD C22.2 NO. 70950-1
- 7 - FINISH : TEXTURED POWDER COAT



**PROPRIETARY AND CONFIDENTIAL**  
 THE INFORMATION CONTAINED IN THIS DRAWING IS THE SOLE PROPERTY OF ELECTRON METAL A.I.G. INC. ANY REPRODUCTION IN PART OR AS A WHOLE WITHOUT THE WRITTEN PERMISSION OF A.I.G. ELECTRON METAL INC IS PROHIBITED.

APPROVED BY:  
 E.D.

DRAWN BY: R.B.	Title:  SERIES 4000 42RU (27 x 73.5) x 42 HD CFG 30 x 79.5 x 42	PROJECT: G:\SWDwgs\Cabinets\Ser4000\EnsemblesReseauHD\		FILE: KitHD27x73x42_2988-002_Eng		
CHECKED BY: R.B.		PART NO: CB4KNH-274242	DRAWING NO: 2988-002	REV.: -	SCALE: 3:64	DATE: 2020-11-06



COUPE A-A

COUPE B-B

**Electron** PROUDLY  
METAL MANUFACTURED  
IN CANADA.

**PROPRIETARY AND CONFIDENTIAL**  
THE INFORMATION CONTAINED IN THIS  
DRAWING IS THE SOLE PROPERTY OF  
ELECTRON METAL A.I.G. INC. ANY  
REPRODUCTION IN PART OR AS A WHOLE  
WITHOUT THE WRITTEN PERMISSION OF  
A.I.G. ELECTRON METAL INC IS PROHIBITED.

APPROVED BY:  
E.D.

DRAWN BY:  
R.B.  
CHECKED BY:  
R.B.

Title:

SERIES 4000 42RU (27 x 73.5) x 42 HD CFG  
30 x 79.5 x 42

PROJECT:  
G:\SWDwgs\Cabinets\Ser4000\EnsemblesReseauHD\

FILE:  
KitHD27x73x42\_2988-002\_Eng

PART NO:  
CB4KNH-274242

DRAWING NO:  
2988-002

REV.:  
-

SCALE:  
1:16

DATE:  
2020-11-06

SHEET:  
2 / 2