

NO.	DWG/SUPPLIER	CFG/SUPPLIER NO.	DESCRIPTION	QTY
1	1305027807	Default	SERIES 4000 FRAME 42RU 30 x 79.5 x 36	1
2	2284-001	(73.5")	ROBUST MOUNTING RAIL CAGE-NUT 5.25" FOR BRUSH	4
3	1832-005	Default	HIGH DENSITY RAIL CABLE MGT (73.5")	2
4	2413-001	Default	VERTICAL CABLE MGT / U.A.C. (73.5) x 6	1
5	1305039067	(27)	TOP COVER 4 FAN CUT-OUTS 6"	1
6	1305038320	default	TOP FRONT COVER PLATE	2
7	1305027783	Default	6" FAN CUTOUT COVER PLATE	4
8	1305029263	Default	PERFORATED DOOR (27 x 73.5)	1
9	1305027813	Default	SPLIT DOOR PERF. (27 x 73.5) L.H.	1
10	1305027812	Default	SPLIT DOOR PERF. (27 x 73.5) R.H.	1
11	1305029523	Default	SIDE PANEL (73.5) x 36 LOCKS	2
12	OHIO NUT & BOLT	FH 4440	LEVELLER, STEEL BASE 1/2-13	4

NOTES:

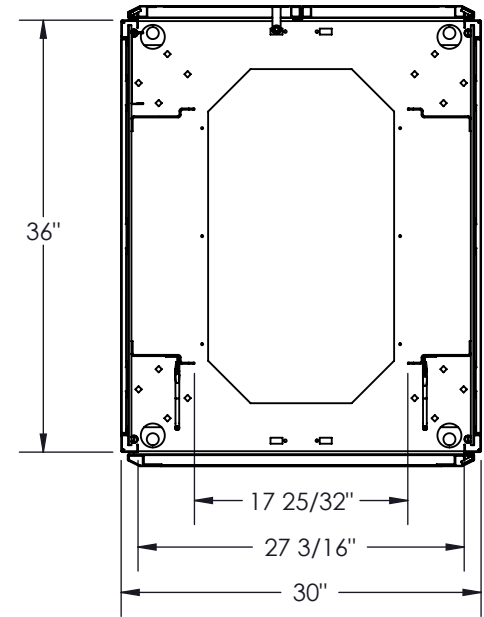
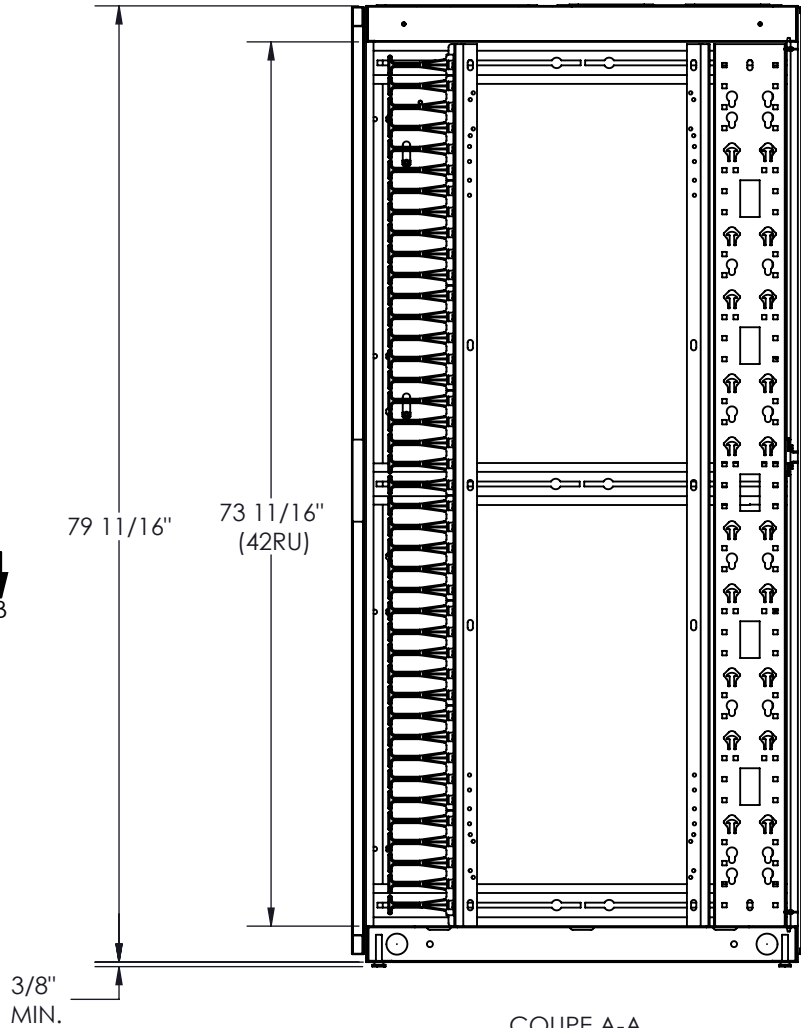
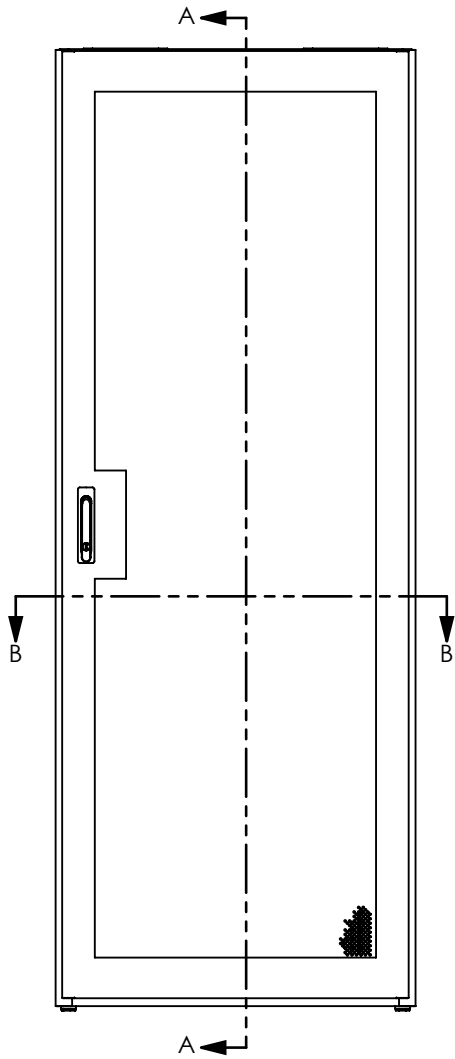
- 1 - MOUNTING RAIL TO HAVE RU MARKINGS.
- 2 - APPROXIMATE WEIGHT: 316 LBS.
- 3 - CAPACITY: 3000 LBS
- 4 - 100 CAGE-NUTS 10-32 SHIPPED LOOSE.
- 5 - 100 TRUSS HEAD SCREW 10-32 x 1/2 SHIPPED LOOSE.
- 6 - CERTIFIED TO CSA STANDARD C22.2 NO. 70950-1
- 7 - FINISH : TEXTURED POWDER COAT



PROPRIETARY AND CONFIDENTIAL
 THE INFORMATION CONTAINED IN THIS DRAWING IS THE SOLE PROPERTY OF ELECTRON METAL A.I.G. INC. ANY REPRODUCTION IN PART OR AS A WHOLE WITHOUT THE WRITTEN PERMISSION OF A.I.G. ELECTRON METAL INC IS PROHIBITED.

APPROVED BY:
 T.M.

DRAWN BY: E.D.	Title: SERIES 4000 42RU (27 x 73.5) x 36 HD CFG 30 x 79.5 x 36
CHECKED BY: E.D.	
PROJECT: G:\SWDwgs\Cabinets\Ser4000\EnsemblesReseauHD\	FILE: KitHD27x73x36_2988-001_Eng
PART NO: CB4KNH-274236	DRAWING NO: 2988-001
REV.:	SCALE: 3:64
DATE: 2020-07-16	SHEET: 1 / 2



Electron PROUDLY MANUFACTURED IN CANADA.
METAL

PROPRIETARY AND CONFIDENTIAL
 THE INFORMATION CONTAINED IN THIS DRAWING IS THE SOLE PROPERTY OF ELECTRON METAL A.I.G. INC. ANY REPRODUCTION IN PART OR AS A WHOLE WITHOUT THE WRITTEN PERMISSION OF A.I.G. ELECTRON METAL INC IS PROHIBITED.

APPROVED BY:
 T.M.

DRAWN BY:
 E.D.
 CHECKED BY:
 E.D.

Title:

SERIES 4000 42RU (27 x 73.5) x 36 HD CFG
 30 x 79.5 x 36

PROJECT:
 G:\SWDwgs\Cabinets\Ser4000\EnsemblesReseauHD\

FILE:
 KitHD27x73x36_2988-001_Eng

PART NO.:
 CB4KNH-274236

DRAWING NO.:
 2988-001

REV.:
 -

SCALE:
 1:16

DATE:
 2020-07-16

SHEET:
 2 / 2