

NO.	DWG/SUPPLIER	CFG/SUPPLIER NO.	DESCRIPTION	QTY
1	1305030120	Default	FRAME 30 x 48 x 42 SERIES 4000	1
2	2284-001	(42")	ROBUST MOUNTING RAIL CAGE-NUT 5.25" FOR BRUSH	4
3	2153-001	Default	HIGH DENSITY RAIL CABLE MGT 24RU (42)	2
4	2472-022	Default	U.A.C. / V.C.M. 24RU 1 x (42) x 6	2
5	1305039067	(27)	TOP COVER 4 FAN CUT-OUTS 6"	1
6	1305038320	default	TOP FRONT COVER PLATE	2
7	1305027783	Default	6" FAN CUTOUT COVER PLATE	4
8	1305028741	Default	PERFORATED DOOR (27 x 42)	1
9	1305028742	Default	SPLIT DOOR PERFORATED LH (27 x 42)	1
10	1305028743	27 x 42	SPLIT DOOR PERFORATED RH (27 x 42)	1
11	1305028697	(42) x 36 PANEL	SIDE PANEL (42) x 42 WITH LOCKS	2
12	OHIO NUT & BOLT	FH 4440	LEVELLER, STEEL BASE 1/2-13	4
13	1305024143	Default	CASTER PLATE	4
14	COLSON	135 - 25300	3" PIVOTING CASTER	2
15	COLSON	45 - 25300	3" PIVOTING CASTER	2

NOTES:

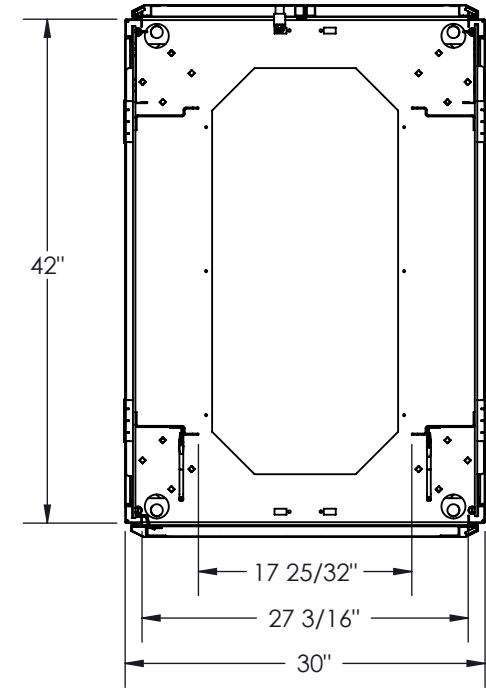
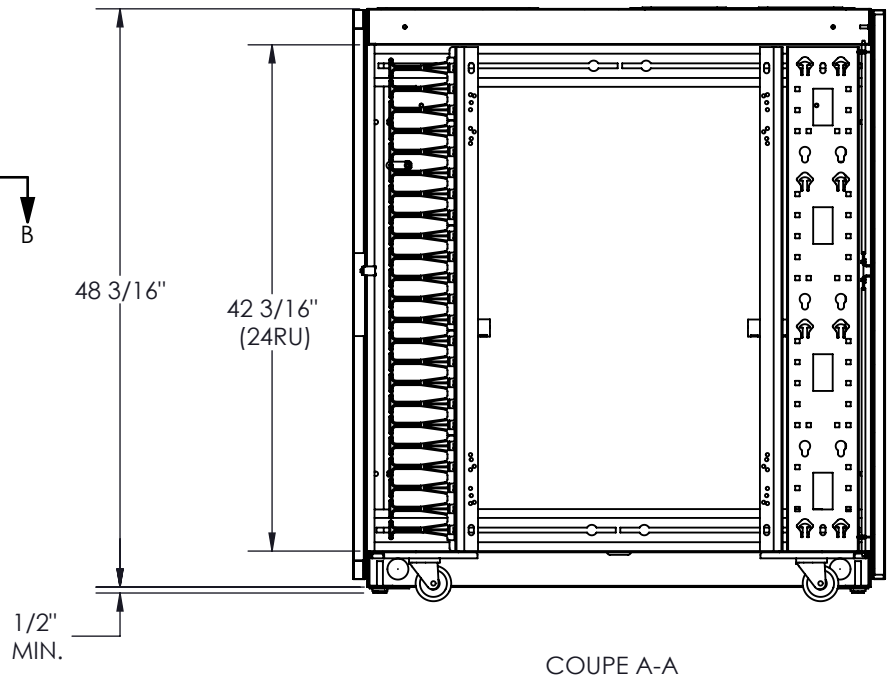
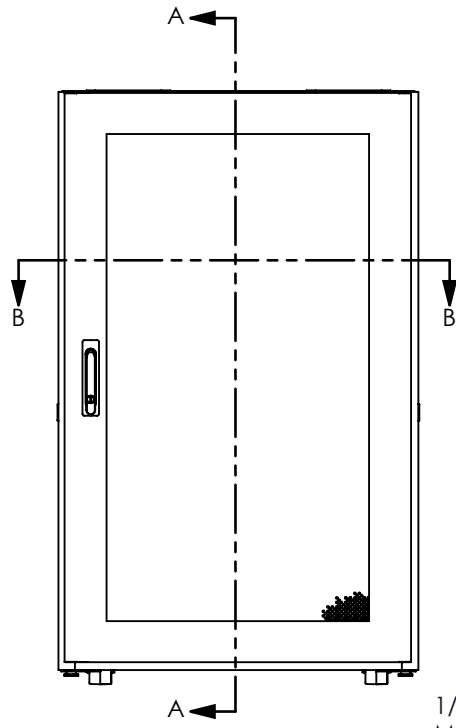
- 1 - MOUNTING RAIL TO HAVE RU MARKINGS.
- 2 - APPROXIMATE WEIGHT: 252 LBS.
- 3 - CAPACITY: 3000 LBS
- 4 - 100 CAGE-NUTS 10-32 SHIPPED LOOSE.
- 5 - 100 TRUSS HEAD SCREW 10-32 x 1/2 SHIPPED LOOSE.
- 6 - CERTIFIED TO CSA STANDARD C22.2 NO. 70950-1
- 7 - FINISH : TEXTURED POWDER COAT



PROPRIETARY AND CONFIDENTIAL
 THE INFORMATION CONTAINED IN THIS DRAWING IS THE SOLE PROPERTY OF ELECTRON METAL A.I.G. INC. ANY REPRODUCTION IN PART OR AS A WHOLE WITHOUT THE WRITTEN PERMISSION OF A.I.G. ELECTRON METAL INC IS PROHIBITED.

APPROVED BY:
 E.D.

DRAWN BY: R.B.	Title: SERIES 4000 24RU (27 x 42) x 42 HD CFG 30 x 48 x 42	PROJECT: G:\SWDwgs\Cabinets\Ser4000\EnsemblesReseauHD\		FILE: KitHD27x42x42_2988-008_Eng		
CHECKED BY: R.B.		PART NO: CB4KNH-272442	DRAWING NO: 2988-008	REV.: -	SCALE: 3:64	DATE: 2021-05-13



Electron PROUDLY MANUFACTURED IN CANADA.
METAL

PROPRIETARY AND CONFIDENTIAL
 THE INFORMATION CONTAINED IN THIS DRAWING IS THE SOLE PROPERTY OF ELECTRON METAL A.I.G. INC. ANY REPRODUCTION IN PART OR AS A WHOLE WITHOUT THE WRITTEN PERMISSION OF A.I.G. ELECTRON METAL INC IS PROHIBITED.

APPROVED BY:
 E.D.

DRAWN BY:
 R.B.
 CHECKED BY:
 R.B.

Title:
SERIES 4000 24RU (27 x 42) x 42 HD CFG
 30 x 48 x 42

PROJECT:
 G:\SWDwgs\Cabinets\Ser4000\EnsemblesReseauHD\
 PART NO:
 CB4KNH-272442

FILE:
 KitHD27x42x42_2988-008_Eng
 DRAWING NO.: 2988-008
 REV.: -
 SCALE: 1:16
 DATE: 2021-05-13
 SHEET: 2 / 2